

NOTES:

STIRRUPS IN CAP MAY BE SHIFTED AS NECESSARY TO CLEAR ANCHOR BOLTS.

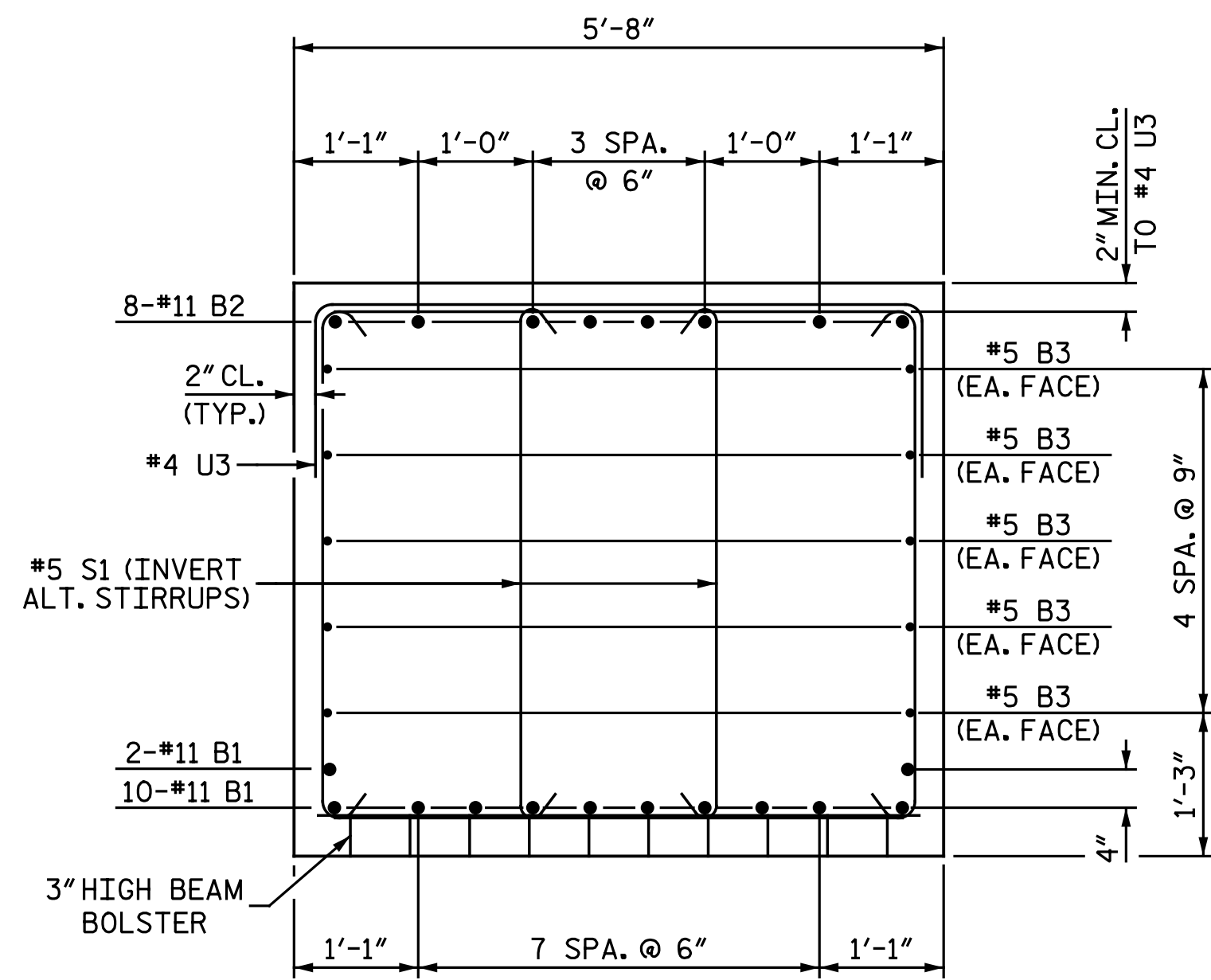
HOOKE ON "V" BARS MAY BE TURNED AS NECESSARY FOR PLACING REINFORCING STEEL.

ALL STEEL IN THE DRILLED PIERS IS INCLUDED IN THE PAY ITEMS FOR "EPOXY COATED REINFORCING STEEL" AND "EPOXY COATED SPIRAL COLUMN REINFORCING STEEL".

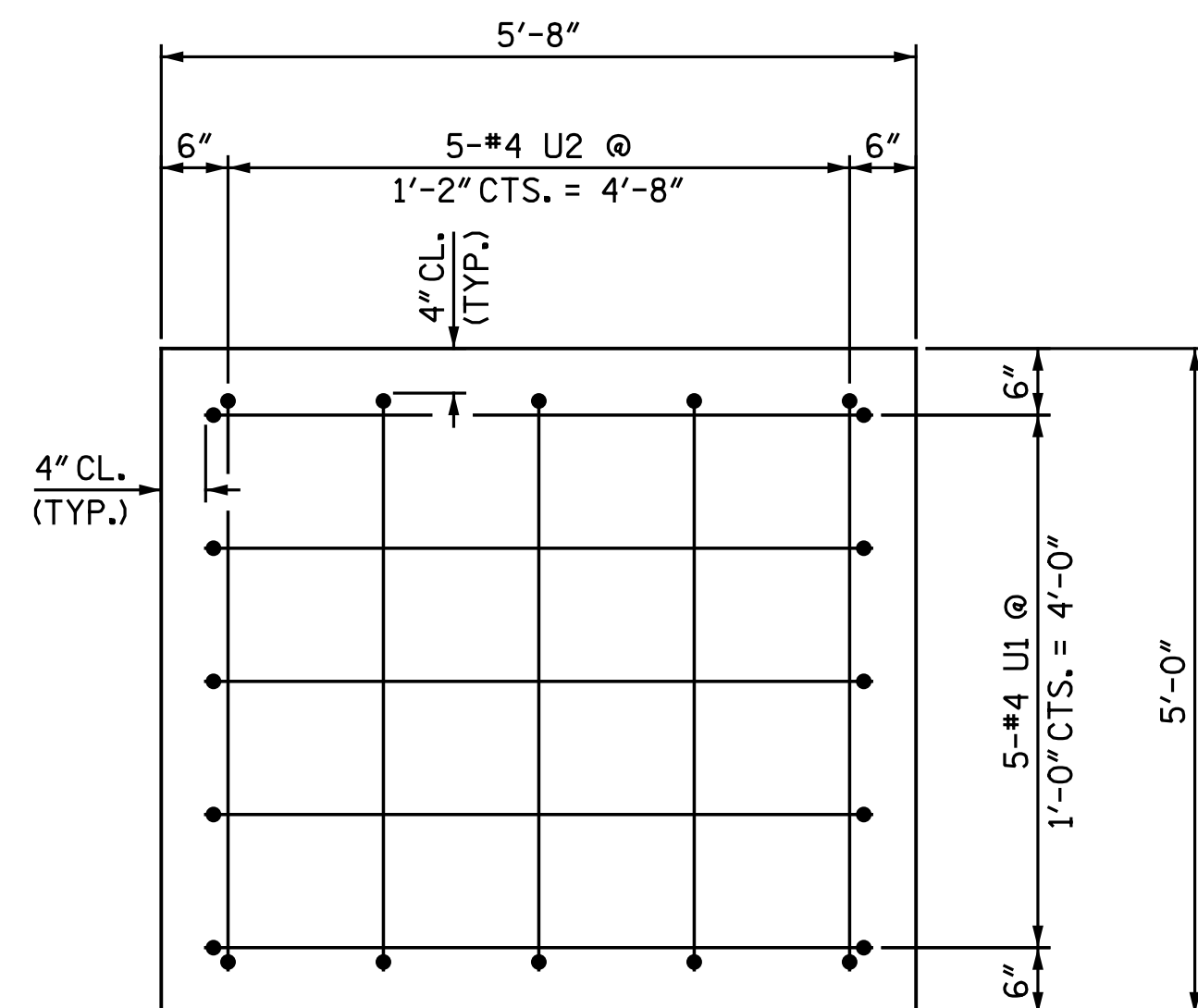
THE CONTRACTORS ATTENTION IS CALLED TO THE FACT THAT THE LONGITUDINAL REINFORCEMENT FOR THE DRILLED PIERS IS DETAILED WITH 3 FEET OF EXTRA LENGTH.

FOR DRILLED PIERS, SEE SECTION 411 OF THE STANDARD SPECIFICATIONS.

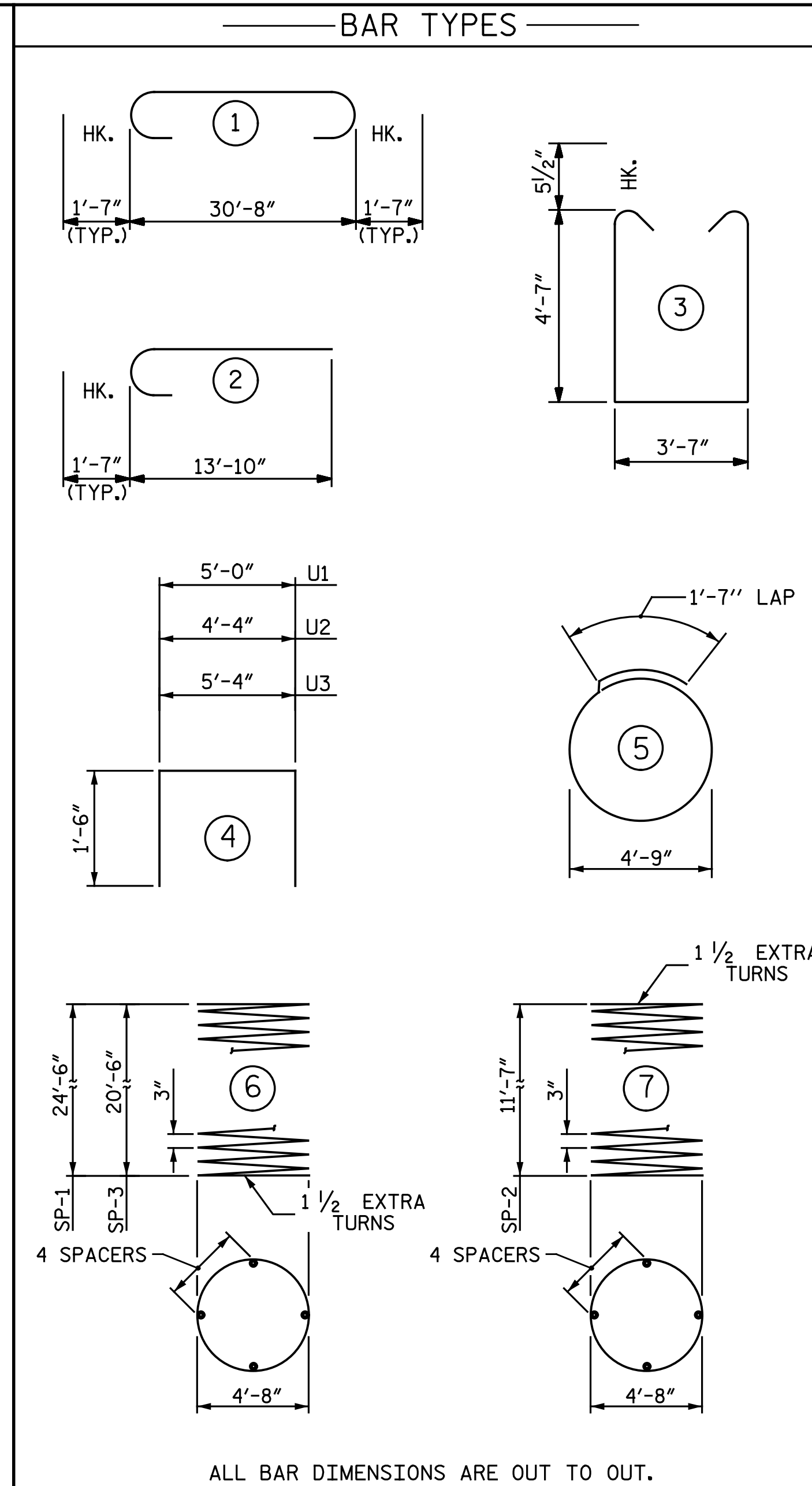
FOR ADDITIONAL FOUNDATION NOTES, SEE "GENERAL DRAWING" SHEET 2 OF 5.



SECTION C-C



VIEW D-D



ALL BAR DIMENSIONS ARE OUT TO OUT.

- * THE SP-1 SPIRAL REINFORCING STEEL SHALL BE W31 OR D-31 COLD DRAWN WIRE OR #5 PLAIN OR DEFORMED BAR.
- * THE SP-2 SPIRAL REINFORCING STEEL SHALL BE W20 OR D-20 COLD DRAWN WIRE OR #4 PLAIN OR DEFORMED BAR.
- ▲ DENOTES EPOXY COATED REINFORCING STEEL

**BILL OF MATERIAL
PIER 3**

BAR NO.	NO.	SIZE	TYPE	LENGTH	WEIGHT
B1	12	11	STR	30' - 8"	1,955
B2	8	11	1	33' - 10"	1,438
B3	10	5	STR	30' - 8"	320
▲ M1	48	11	STR	38' - 7"	9,840
▲ M2	24	11	STR	34' - 7"	4,410
S1	40	5	3	13' - 8"	570
S2	21	5	5	16' - 7"	363
U1	10	4	4	8' - 0"	53
U2	10	4	4	7' - 4"	49
U3	61	4	4	8' - 4"	340
▲ V1	72	11	2	15' - 5"	5,897
▲ SP-1	2	*	6	1442' - 8"	3,010
▲ SP-2	3	**	7	695' - 1"	1,392
▲ SP-3	1	*	6	1210' - 8"	1,263
REINFORCING STEEL				LBS.	5,088
EPOXY COATED REINFORCING STEEL				LBS.	20,147
EPOXY COATED SPIRAL COLUMN REINF. STEEL				LBS.	5,665
CLASS "AA" CONCRETE BREAKDOWN					
POUR #2 COLUMN		C.Y.	24.7		
POUR #3 CAP		C.Y.	32.5		
TOTAL CLASS "AA" CONCRETE		C.Y.	57.2		

DRILLED PIERS

5'-6" DIA. DRILLED PIERS IN SOIL	DRILLED PIERS :	L.F.	45.0
5'-6" DIA. DRILLED PIERS NOT IN SOIL	DRILLED PIERS :	L.F.	26.0
DRILLED PIER CONCRETE BREAKDOWN	POUR #1 DRILLED PIERS	C.Y.	62.5
CSL TUBES		L.F.	377.5

PROJECT NO. U-3308
 DURHAM COUNTY
 STATION: 24+55.20 -LALT-
13+22.18 -CSXN-
 SHEET 3 OF 3



DocuSigned by:
Dwain Holloway

5/3/2016

Michael Baker INTERNATIONAL

Michael Baker Engineering
 8000 Regency Parkway, Suite 600
 Cary, North Carolina 27618
 NC License No.: F-1084

STATE OF NORTH CAROLINA
 DEPARTMENT OF TRANSPORTATION
 RALEIGH
 SUBSTRUCTURE
 PIER 3 DETAILS

REVISIONS

NO.	BY:	DATE:	NO.	BY:	DATE:
1			3		
2			4		

SHEET NO.
S4-40
TOTAL SHEETS
68

cmayhew 5/3/2016 9:37:22 AM
 File Name: Y:\Projects\NCDOT\U-3308\Structures\Drawings\Final\404_040_U3308_SMU_P303.dgn

DRAWN BY : M. D. MAYHEW DATE : 5-9-14
 CHECKED BY : S. A. DENNEY DATE : 5-27-14