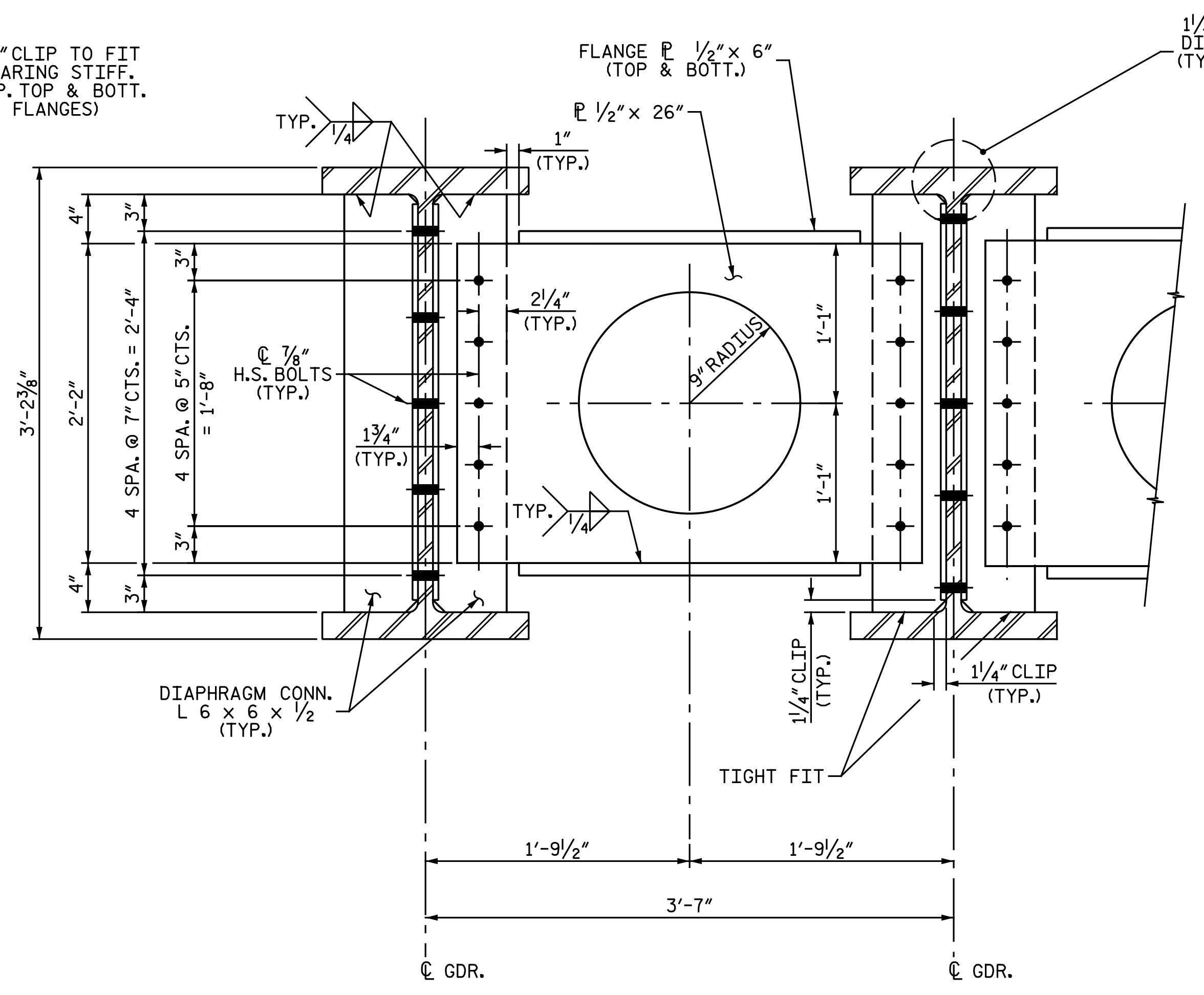
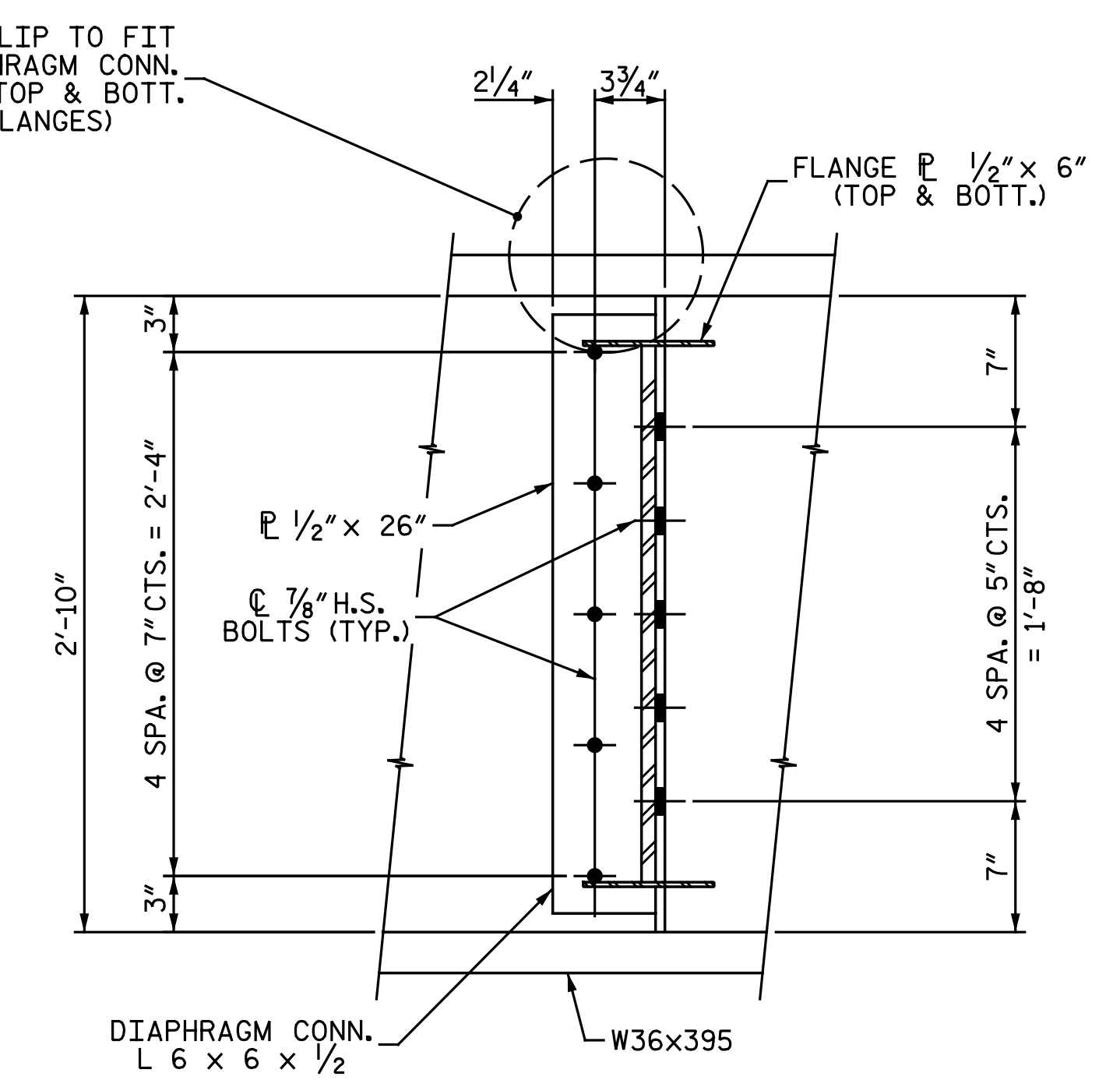


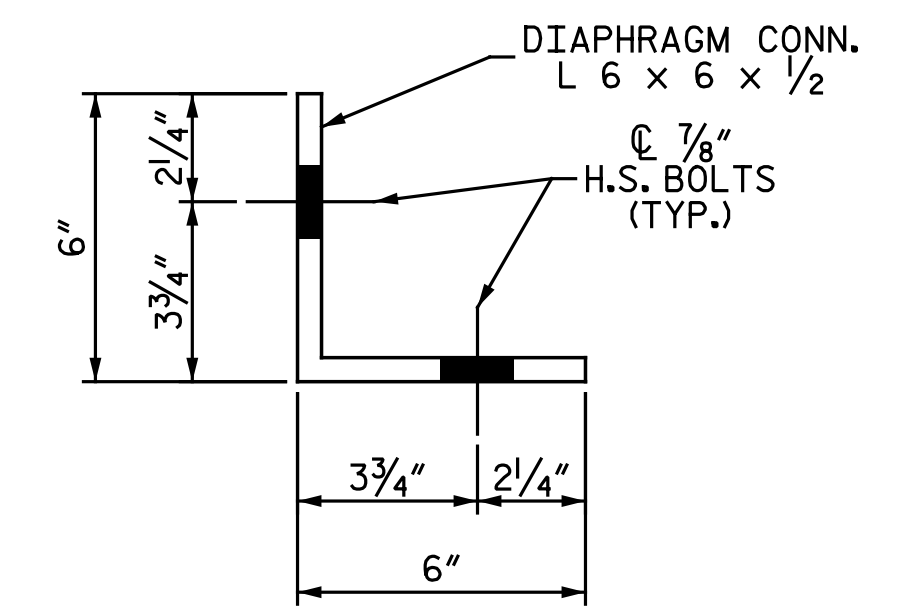
SECTION AT END DIAPHRAGM



SECTION AT INTERMEDIATE DIAPHRAGM

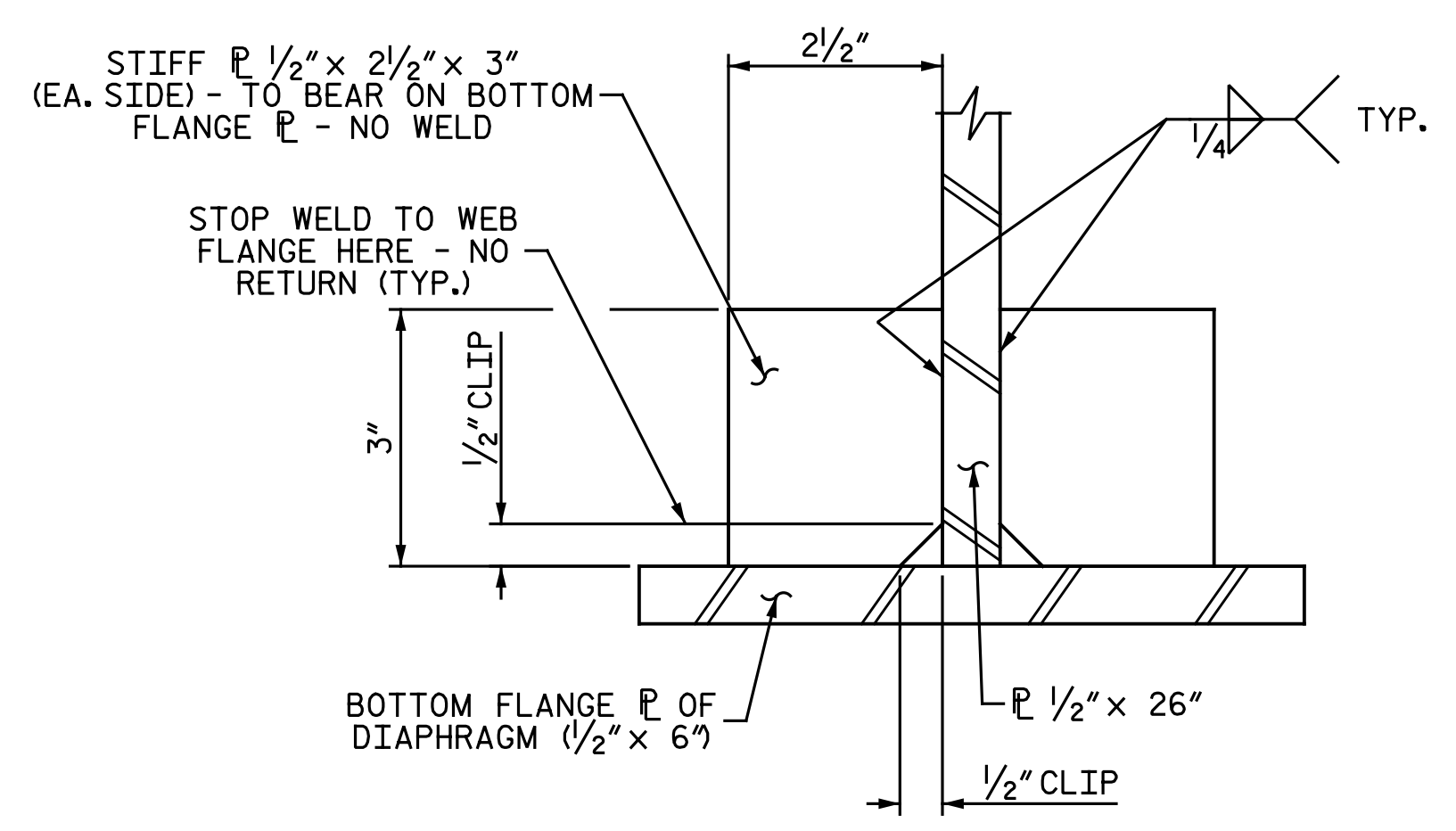


ELEVATION  
L6 x 6 x 1/2

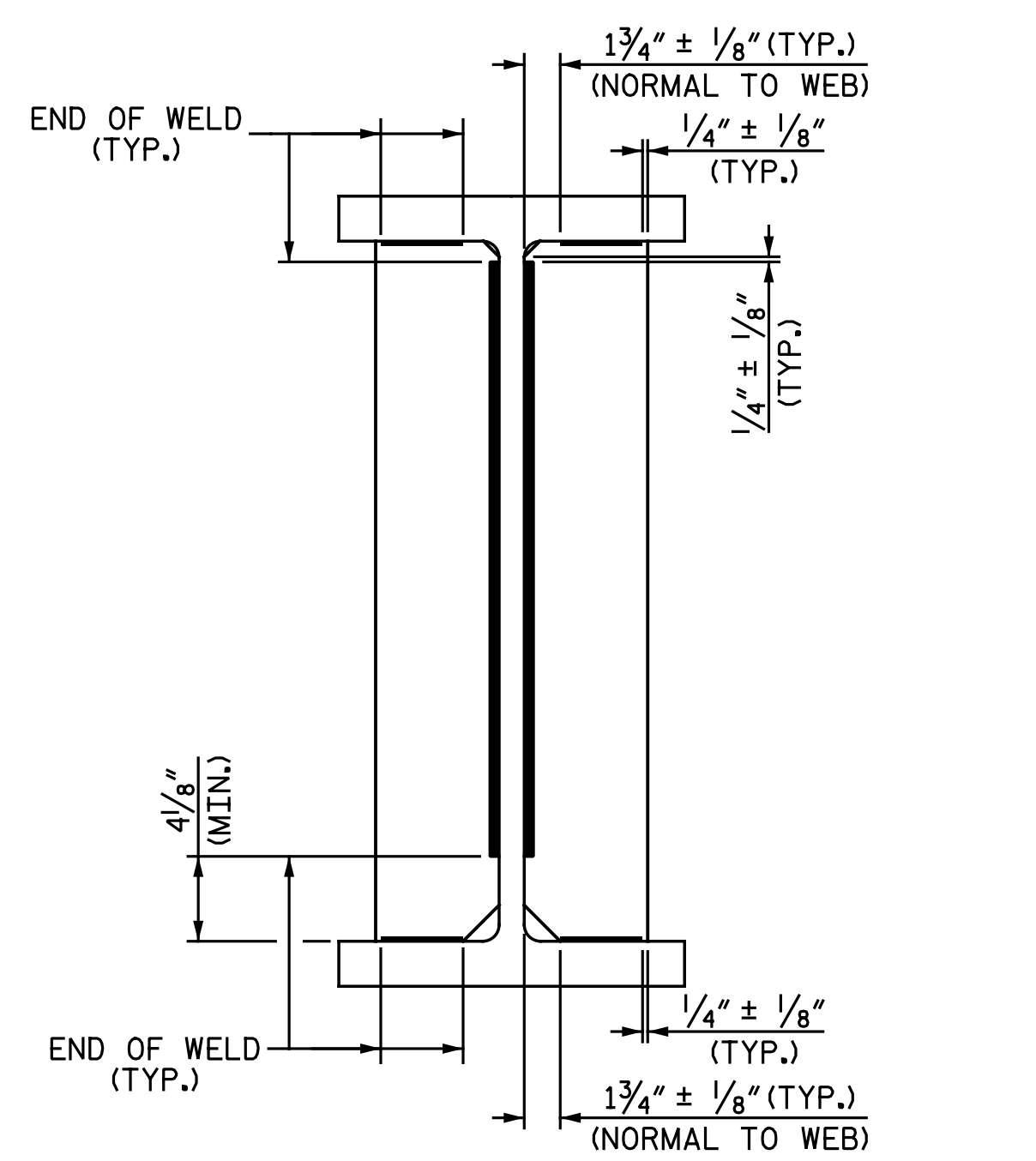


PLAN  
L6 x 6 x 1/2

DIAPHRAGM CONNECTOR DETAILS

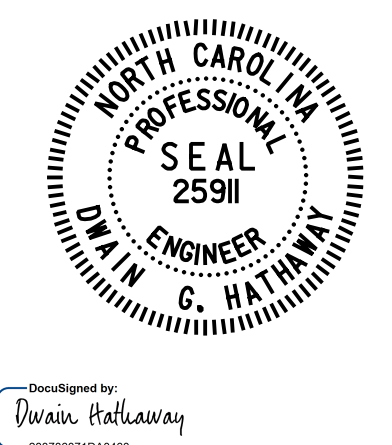


DETAIL E



WELD TERMINATION DETAILS  
(FILLET WELDS ONLY)

PROJECT NO. U-3308  
DURHAM COUNTY  
 STATION: 24+55.20 -LALT-  
13+22.18 -CSXN-



STATE OF NORTH CAROLINA  
 DEPARTMENT OF TRANSPORTATION  
 RALEIGH  
 SUPERSTRUCTURE  
 STRUCTURAL STEEL  
 DIAPHRAGM DETAILS

<b>Michael Baker INTERNATIONAL</b> Michael Baker Engineering 8000 Regency Parkway, Suite 600 Cary, North Carolina 27618 NC License No.: F-1084	REVISIONS				SHEET NO. S4-22 TOTAL SHEETS 68 SITE 4	
	NO.	BY:	DATE:	NO.		BY:
	1			3		
	2			4		

onayhew 5/3/2016 9:37:09 AM  
 File Name: Y:\Projects\NC DOT\U-3308\Structures\Drawings\Final\404\_022\_U3308\_SMU\_DD.dgn

DRAWN BY: M. D. MAYHEW DATE: 12-18-13  
 CHECKED BY: S. A. DENNEY DATE: 12-31-13