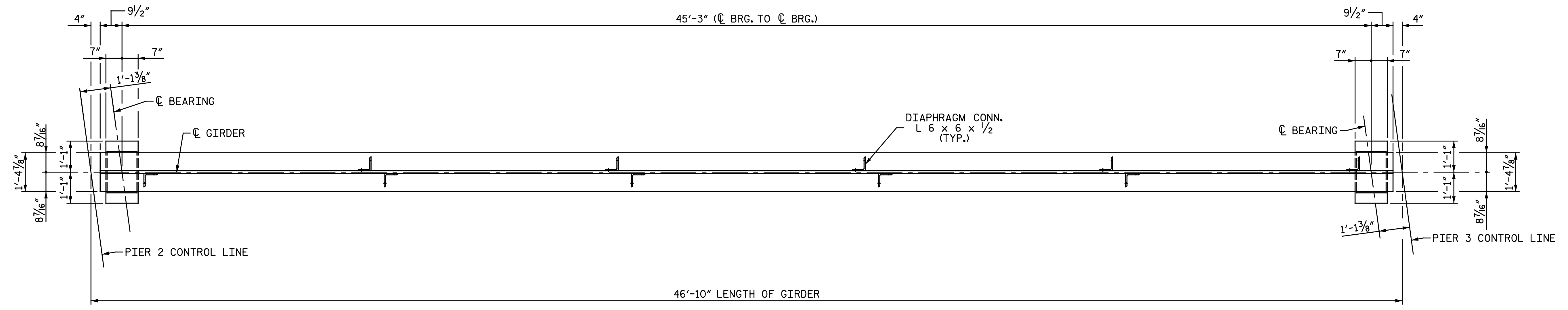
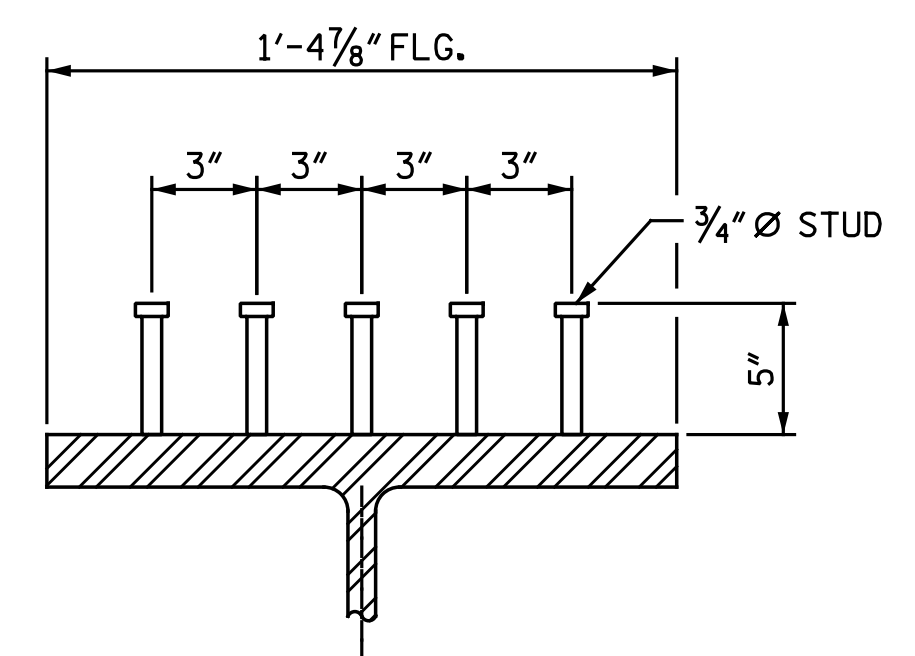


GIRDER ELEVATION - SPAN C
(INTERIOR GIRDER SHOWN, OTHERS SIMILAR)

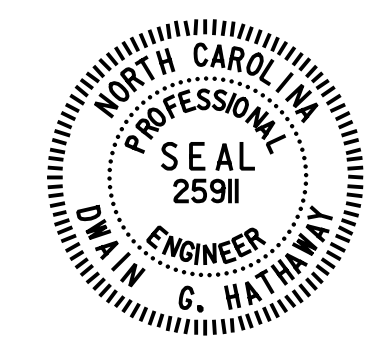


BOTTOM FLANGE DETAIL - SPAN C
(INTERIOR GIRDER SHOWN, OTHERS SIMILAR)
DIAPHRAGM CONNECTORS SHALL NOT BE PLACED ON OUTSIDE OF EXTERIOR GIRDERS.



SHEAR STUD DETAIL

PROJECT NO. U-3308
DURHAM COUNTY
 STATION: 24+55.20 -LALT-
13+22.18 -CSXN-
 SHEET 3 OF 4



Designed by
Dwain Holloway
 5/3/2016

Michael Baker INTERNATIONAL

Michael Baker Engineering
 8000 Regency Parkway, Suite 600
 Cary, North Carolina 27615
 NC License No.: F-1084

STATE OF NORTH CAROLINA
 DEPARTMENT OF TRANSPORTATION
 RALEIGH
 SUPERSTRUCTURE
 GIRDER DETAILS
 SPAN C

REVISIONS						SHEET NO.
NO.	BY:	DATE:	NO.	BY:	DATE:	S4-20
1			3			TOTAL SHEETS
2			4			68

cmayhew 5/3/2016 9:37:07 AM
 File name: Y:\Projects\NCDOT\U-3308\Structures\Drawings\Final\404_020_U3308_SMU_603.dgn

DRAWN BY: M. D. MAYHEW DATE: 3-7-14
 CHECKED BY: S. A. DENNEY DATE: 3-14-14