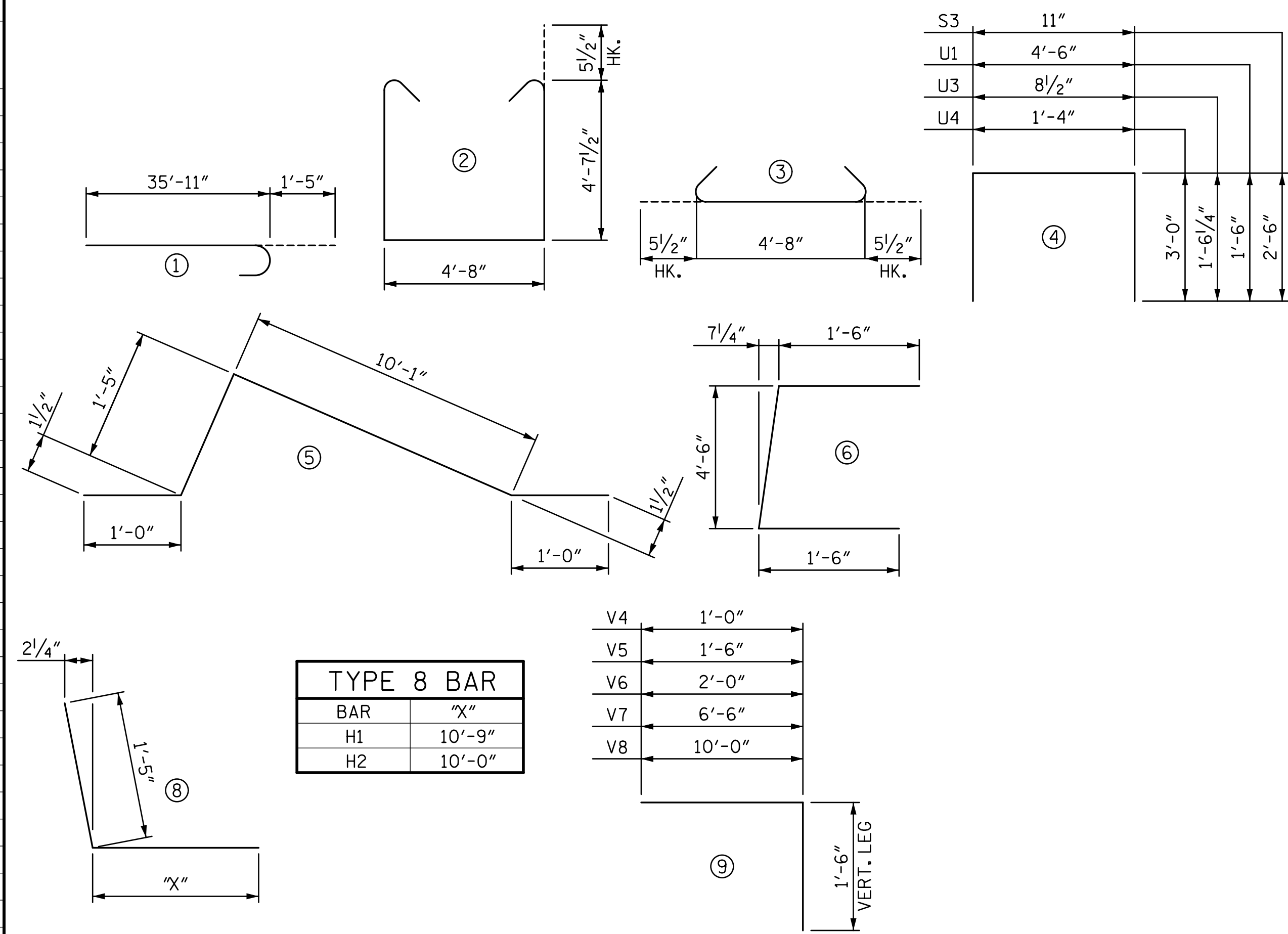


REINFORCING BAR SCHEDULE

ABUTMENT 2

MARK	NO.	SIZE	TYPE	LENGTH (FT. IN.)	WEIGHT (LB.)
B1	32	10	①	37'-4"	5,141
B2	16	5	STR.	31'-3"	522
B3	61	6	STR.	4'-6"	412
H1	23	7	⑧	12'-2"	572
H2	23	7	⑧	11'-5"	537
K1	20	5	STR.	31'-3"	652
K2	4	5	STR.	4'-11"	21
K3	4	5	STR.	5'-11"	25
K4	33	5	⑤	13'-6"	465
S1	61	5	②	14'-10"	944
S2	61	5	③	5'-7"	355
S3	62	5	④	5'-11"	383
U1	10	5	④	7'-6"	78
U2	12	5	⑥	7'-6"	94
U3	11	5	④	3'-9"	43
U4	56	5	④	7'-4"	428
V1	98	8	STR.	8'-3"	2,159
V2	26	8	STR.	10'-1"	700
V3	33	5	STR.	9'-4"	321
V4	24	5	⑨	2'-6"	63
V5	24	5	⑨	3'-0"	75
V6	6	5	⑨	3'-6"	22
V7	6	5	⑨	8'-0"	50
V8	6	5	⑨	11'-6"	72
V9	20	5	STR.	11'-2"	233
REINFORCING STEEL				LBS.	14,367

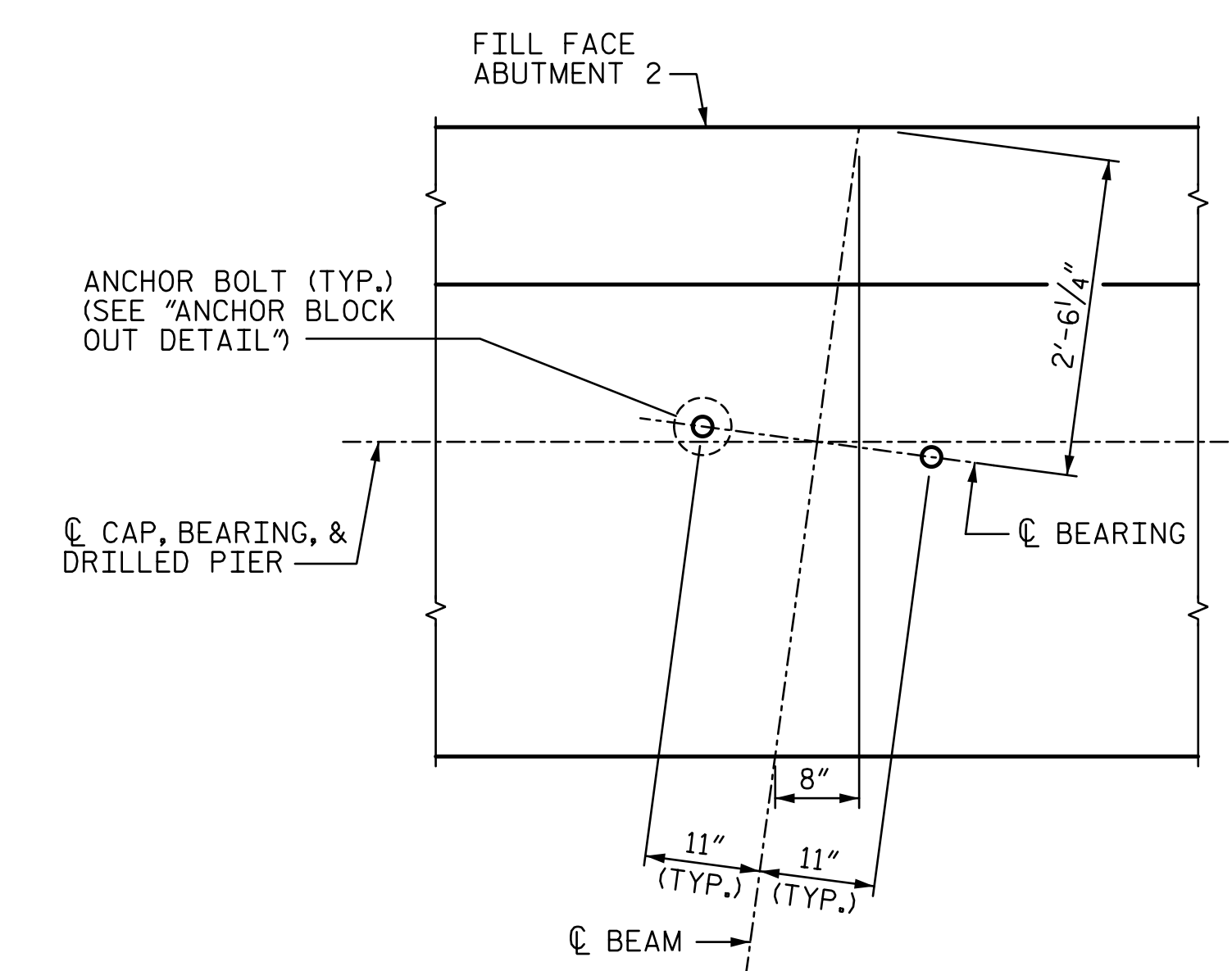
BAR TYPES



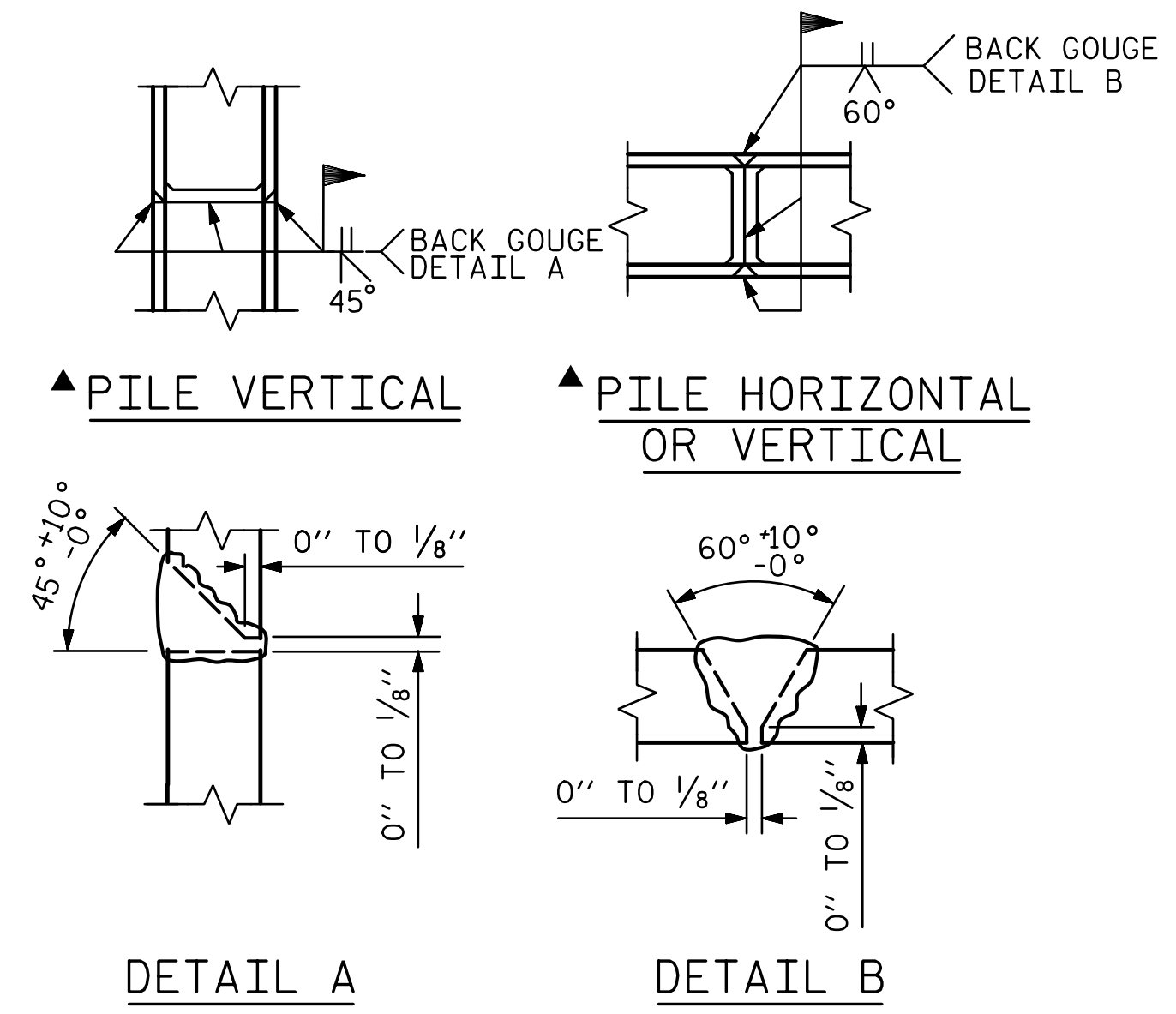
TYPE 8 BAR	
BAR	"X"
H1	10'-9"
H2	10'-0"

ALL BAR DIMENSIONS ARE OUT TO OUT

QUANTITIES			
REINFORCING STEEL			ABUT. 2
			LBS.
			14,367
C.I.P. CONCRETE :		POUR 1 - CAP & LOWER WING WALL	CU. YDS.
		POUR 2 - BACKWALL & UPPER WING WALL	CU. YDS.
		TOTAL	CU. YDS.
			90.8
HP 12x53 STEEL PILES			
NO.			EA.
LENGTH			L.F.
			28
			840.0



BEARING LAYOUT DETAIL



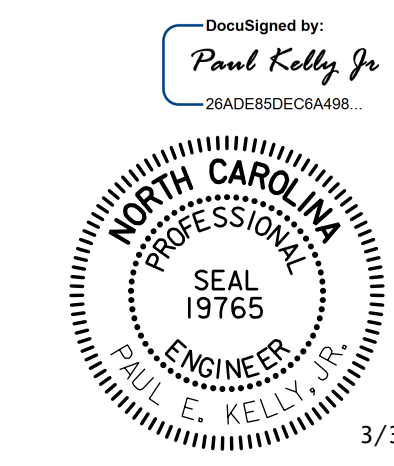
▲ POSITION OF PILE DURING WELDING.
PILE SPLICE DETAILS

PROJECT NO. U-3308
DURHAM COUNTY
 STATION: POT 24+09.63 -LALT-
POT 21+11.43 -NSN-

SHEET 5 OF 5

STATE OF NORTH CAROLINA
 DEPARTMENT OF TRANSPORTATION
 RALEIGH

ABUTMENT 2



REVISIONS						SHEET NO.
NO.	BY:	DATE:	NO.	BY:	DATE:	S3-38
1			3			TOTAL SHEETS
2			4			44

STV / Ralph Whitehead Associates, Inc.
 900 W Trade Street, Suite 715
 Charlotte, NC 28202
 NC License No. F-0991

DOCUMENT NOT CONSIDERED FINAL
 UNLESS ALL SIGNATURES COMPLETED

I:\PROJ\251325\ustation\struc\Final\403_038_U3308_SML_AB205.dgn
 3/30/2015 4:23 PM
 alveyac

DRAWN BY : TJT/CLG DATE : 06-14
 CHECKED BY : DJM DATE : 06-14