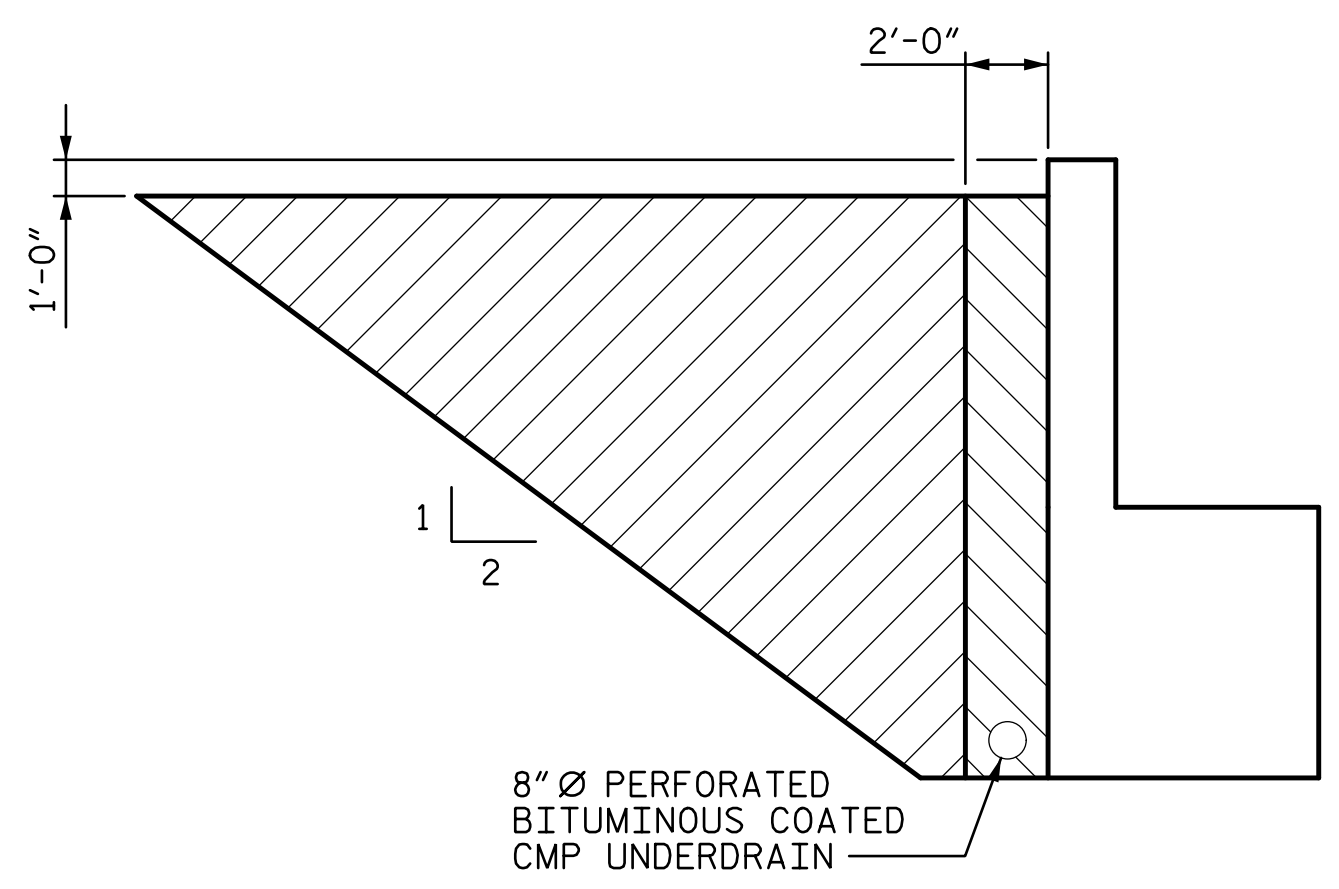
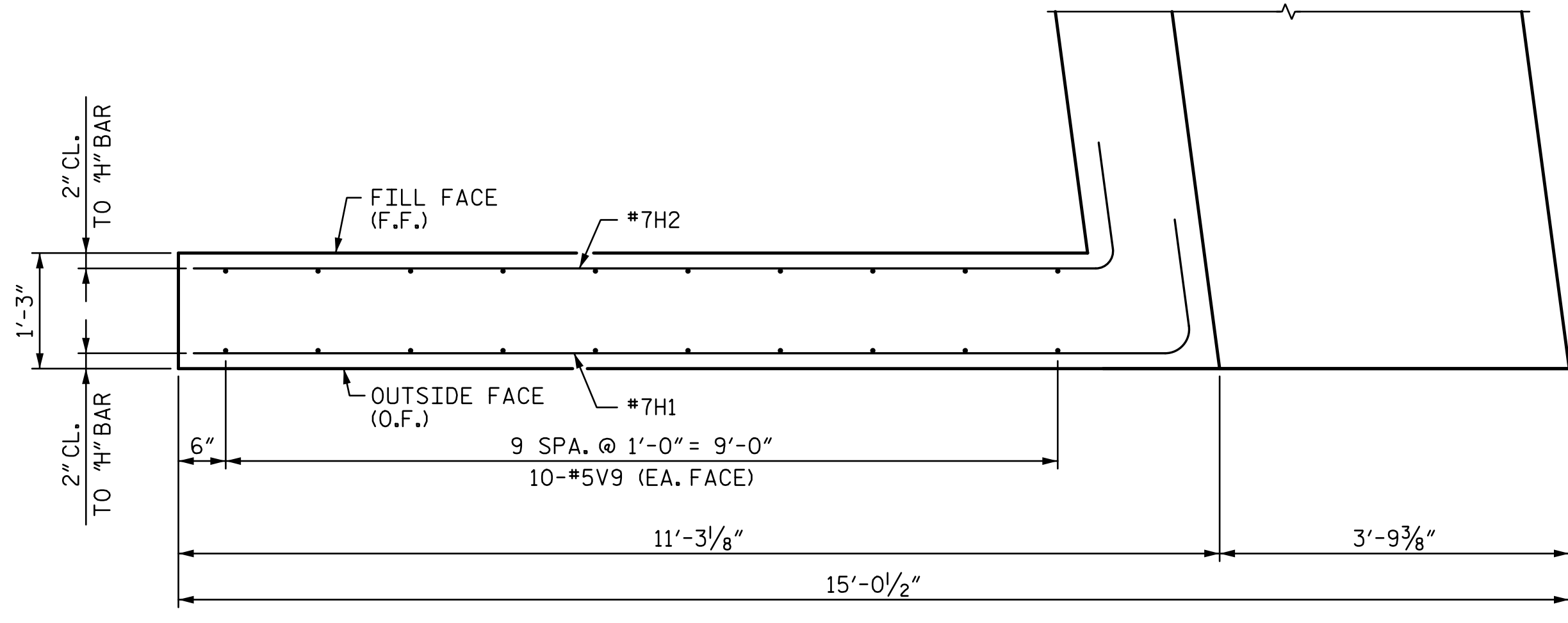


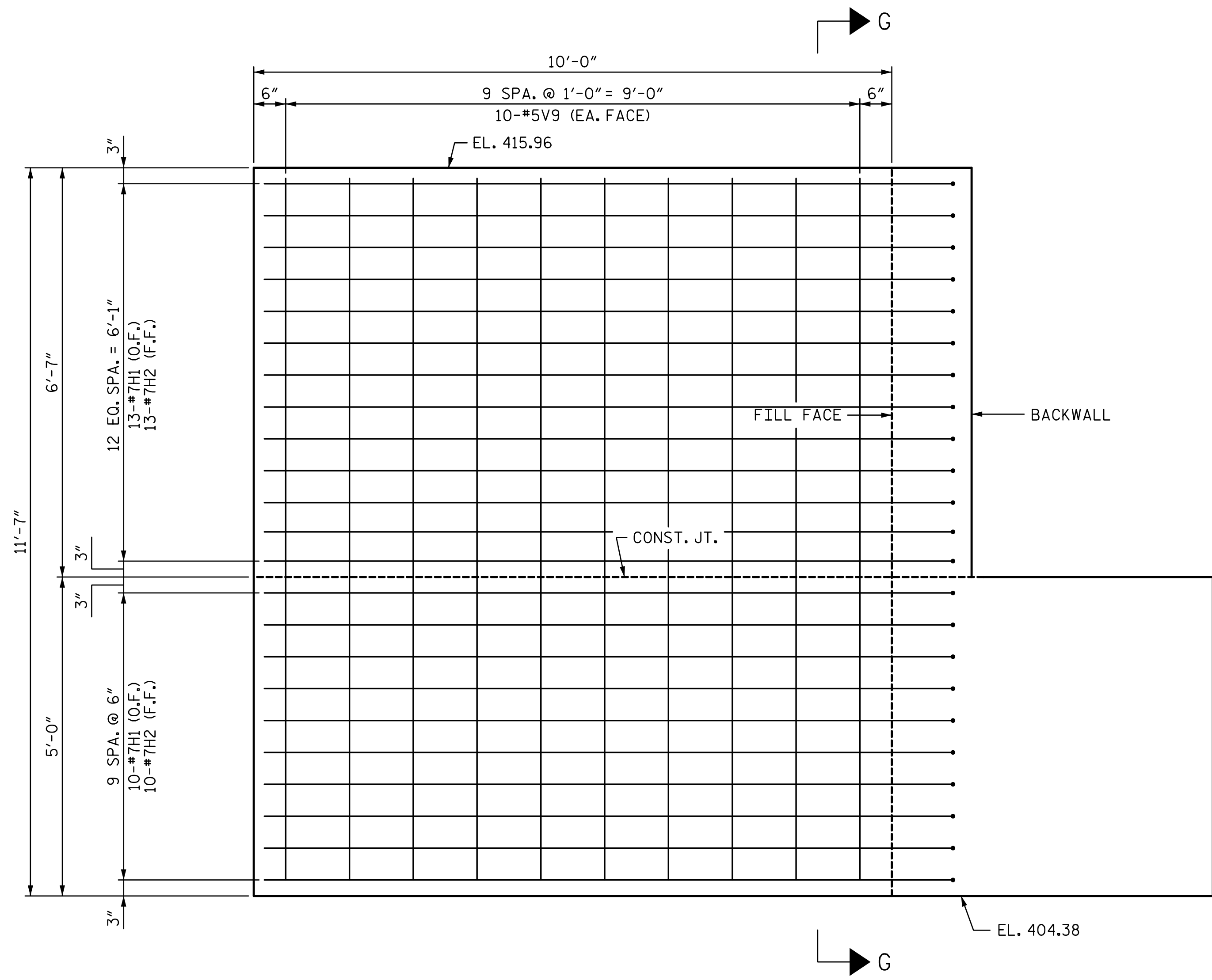
3/30/2015 4:40:20 PM I:\PROJ\251325\ustation\struct\Final\403_029_U3308_SML_ABI04.dgn



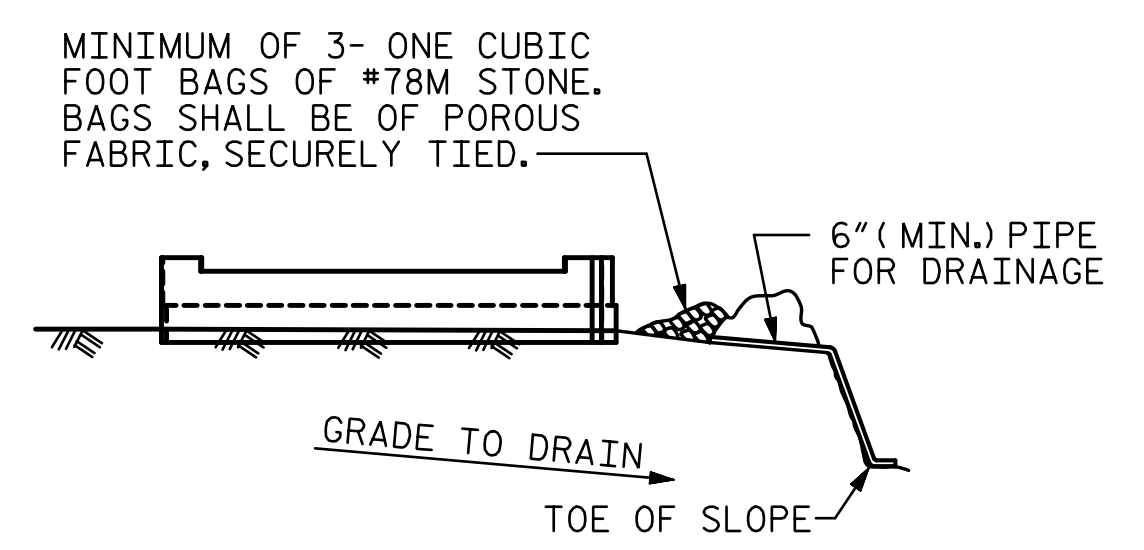
UNDERDRAIN DETAIL
 STRUCTURE BACKFILL
 POROUS BACKFILL



PLAN (W1)



ELEVATION (W1)



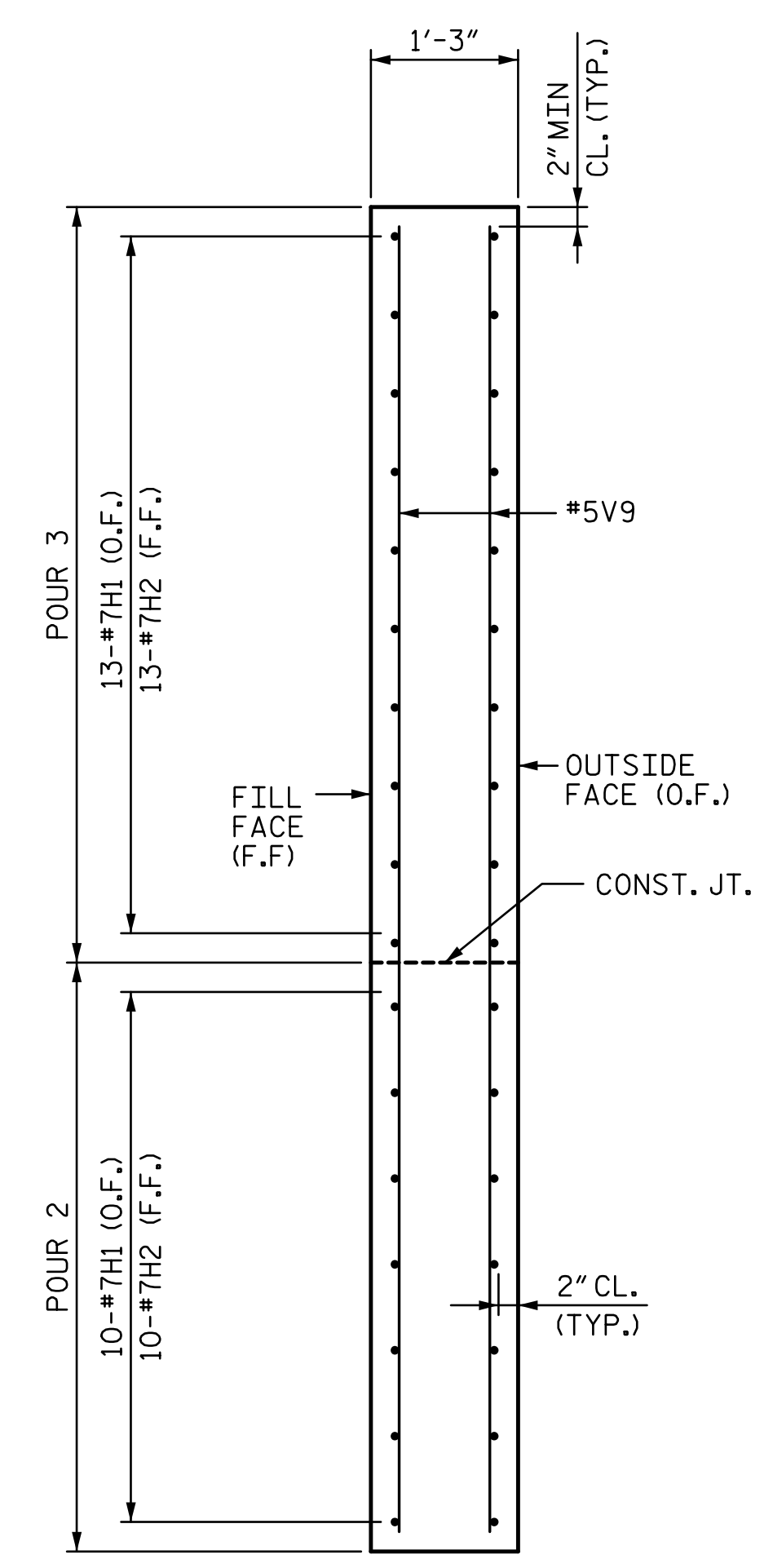
MINIMUM OF 3- ONE CUBIC FOOT BAGS OF #78M STONE. BAGS SHALL BE OF POROUS FABRIC, SECURELY TIED.

BAGGED STONE AND PIPE SHALL BE PLACED IMMEDIATELY AFTER COMPLETION OF END BENT EXCAVATION. PIPE MAY BE EITHER CONCRETE, CORRUGATED STEEL, CORRUGATED ALUMINUM ALLOY, OR CORRUGATED PLASTIC. PERFORATED PIPE WILL NOT BE ALLOWED.

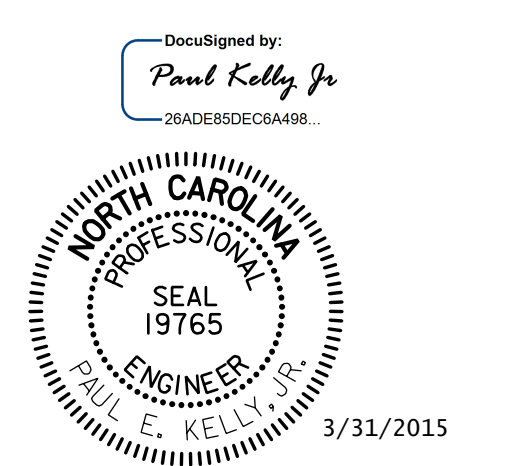
BAGGED STONE SHALL REMAIN IN PLACE UNTIL THE ENGINEER DIRECTS THAT IT BE REMOVED. THE CONTRACTOR SHALL REMOVE AND DISPOSE OF SILT ACCUMULATIONS AT BAGGED STONE WHEN SO DIRECTED BY THE ENGINEER. BAGS SHALL BE REMOVED AND REPLACED WHENEVER THE ENGINEER DETERMINES THAT THEY HAVE DETERIORATED AND LOST THEIR EFFECTIVENESS.

NO SEPARATE PAYMENT WILL BE MADE FOR THIS WORK AND THE ENTIRE COST OF THIS WORK SHALL BE INCLUDED IN THE UNIT CONTRACT PRICE BID FOR THE SEVERAL PAY ITEMS.

TEMPORARY DRAINAGE AT END BENT



SECTION G-G



PROJECT NO. **U-3308**
DURHAM COUNTY
 STATION: **POT 24+09.63 -LALT-**
POT 21+11.43 -NSN-

SHEET 4 OF 5

STATE OF NORTH CAROLINA
 DEPARTMENT OF TRANSPORTATION
 RALEIGH

ABUTMENT 1

DRAWN BY: **TJT** DATE: **06-14**
 CHECKED BY: **DJM** DATE: **06-14**

DOCUMENT NOT CONSIDERED FINAL
 UNLESS ALL SIGNATURES COMPLETED

STV / Ralph Whitehead Associates, Inc.
 900 W Trade Street, Suite 715
 Charlotte, NC 28202
 NC License No. F-0991

| REVISIONS | | | | | | SHEET NO. |
|-----------|-----|-------|-----|-----|-------|--------------|
| NO. | BY: | DATE: | NO. | BY: | DATE: | S3-29 |
| 1 | | | 3 | | | TOTAL SHEETS |
| 2 | | | 4 | | | 44 |