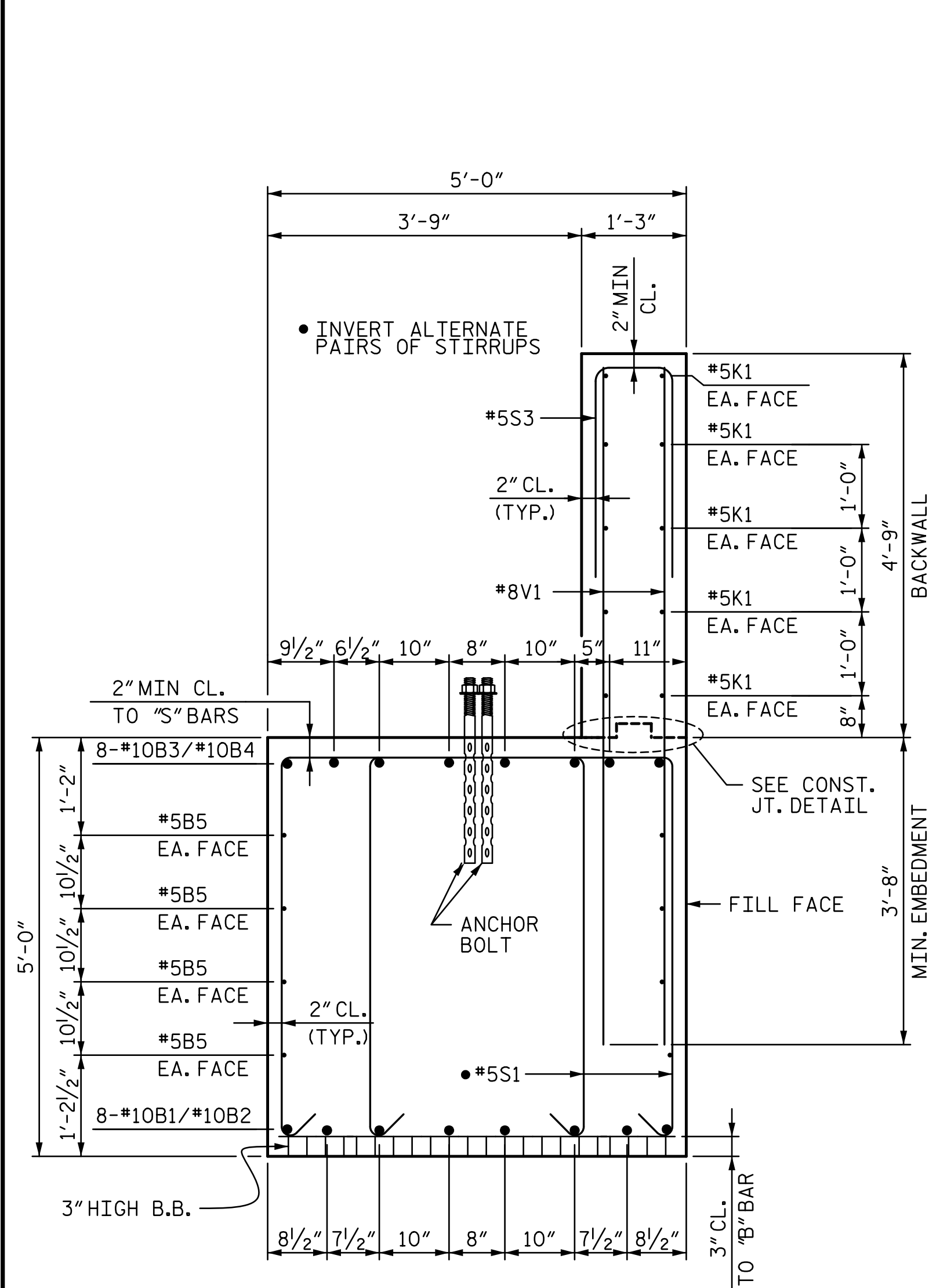
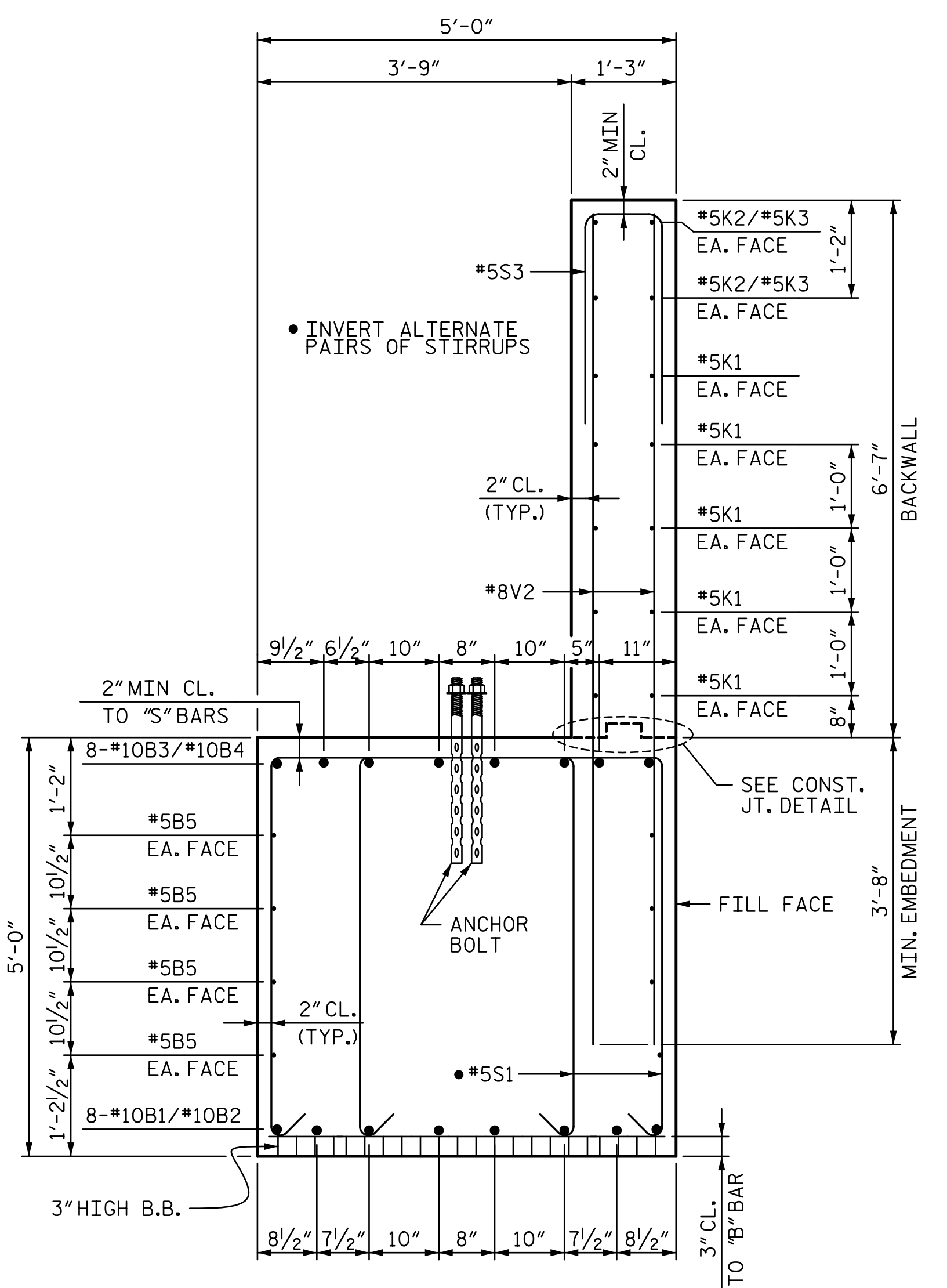


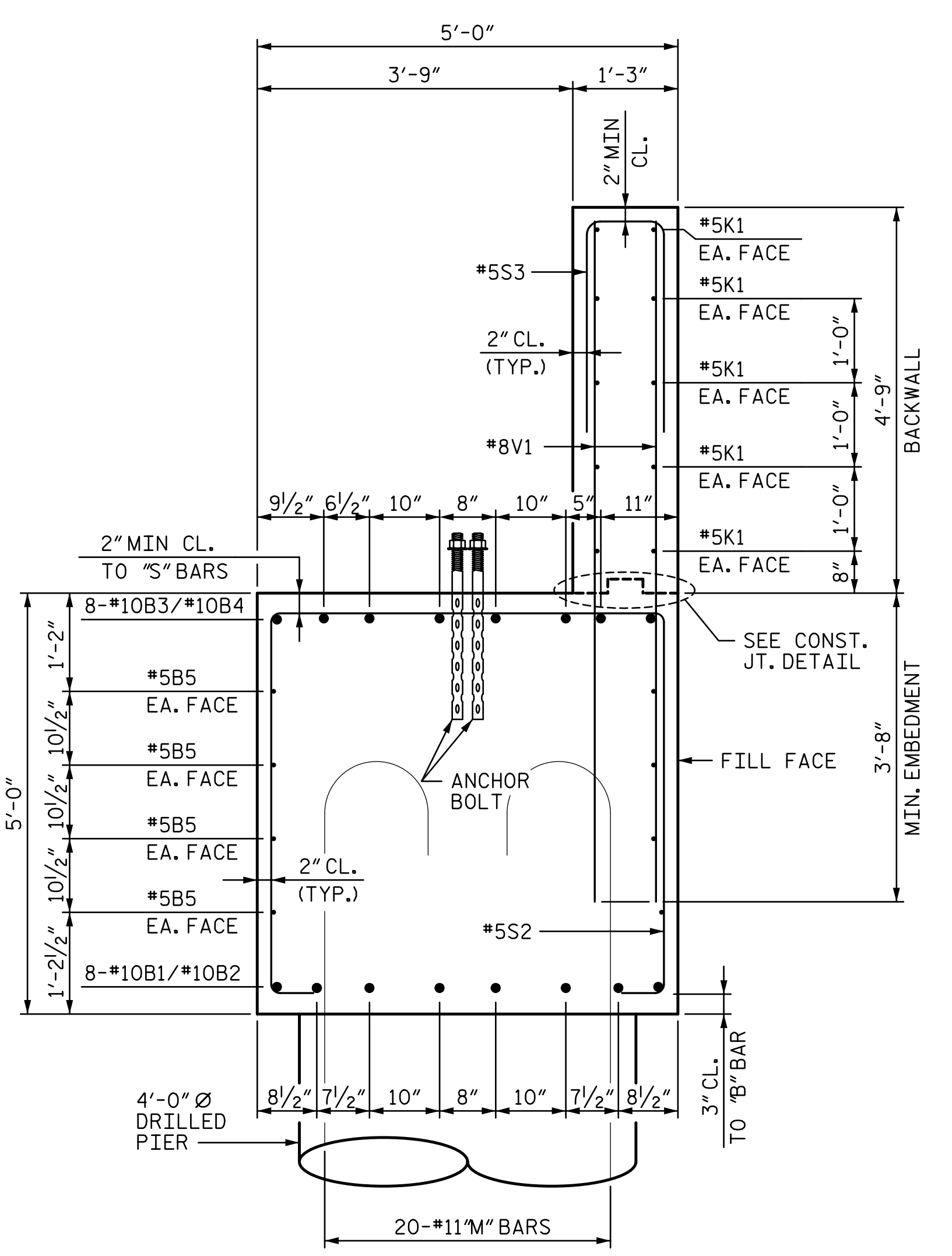
I:\PROJ\2513251\station\struc\final\403\_027\_U3308\_SML\_AB102.dgn 3/30/2015 4:40:19 PM dveyac



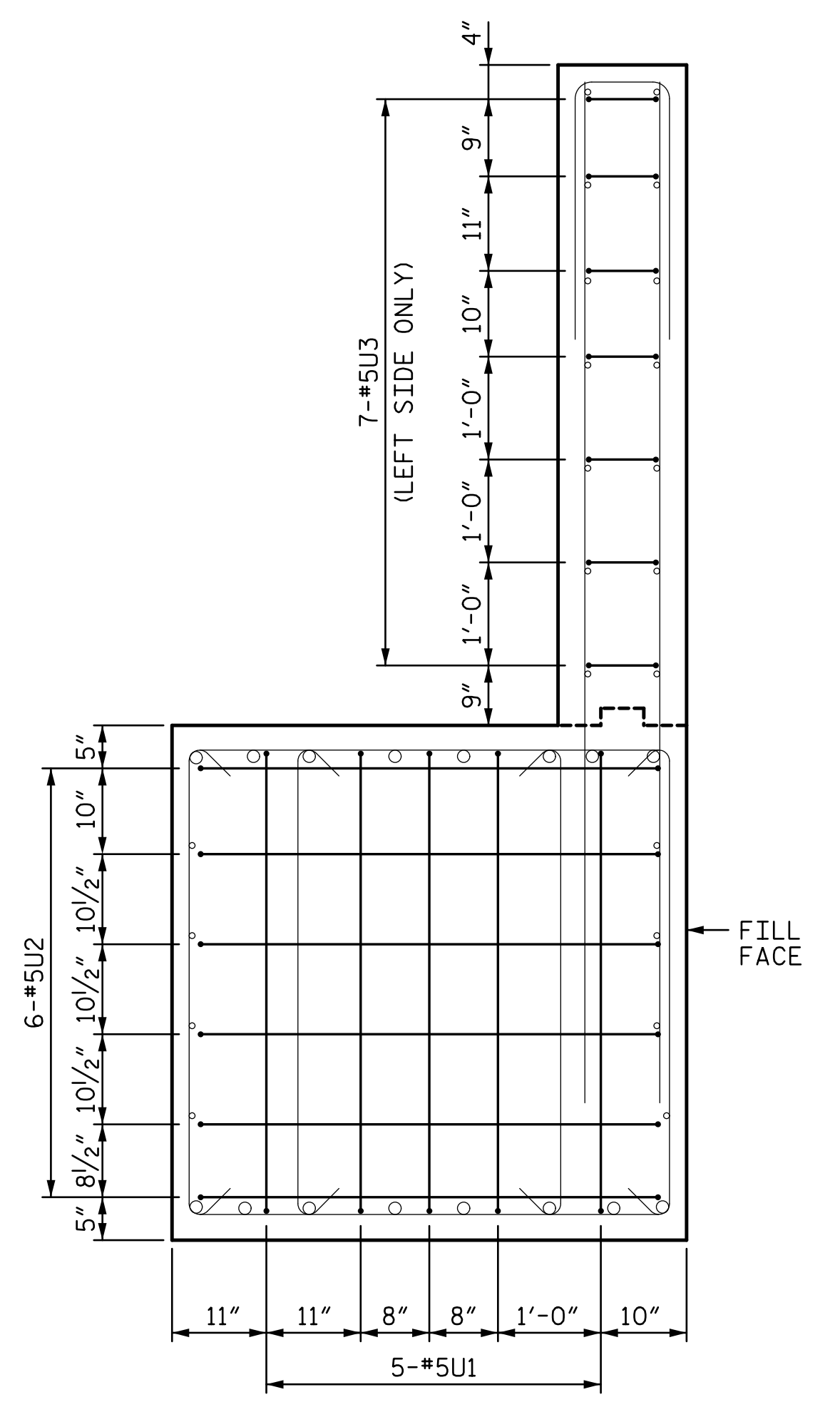
SECTION A-A



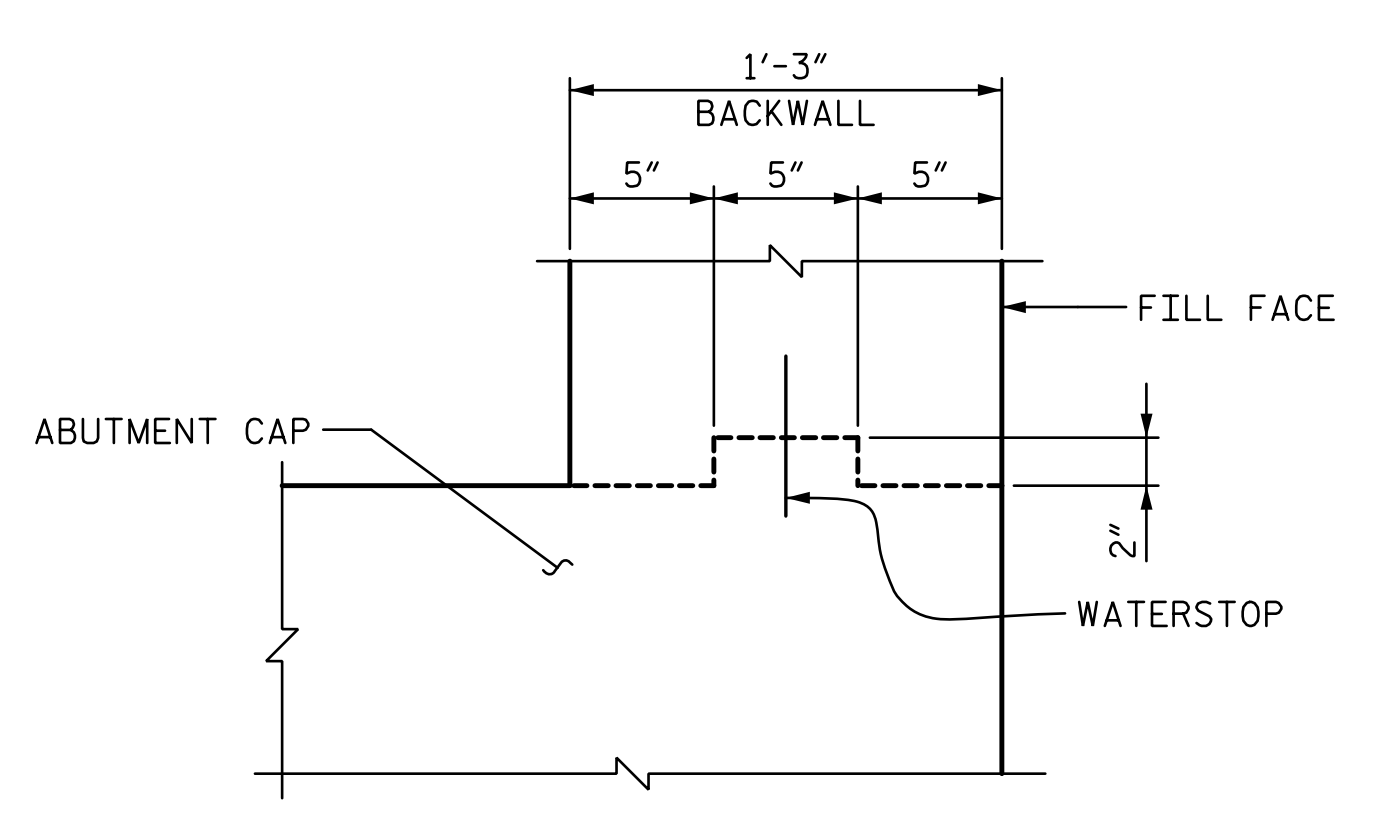
SECTION B-B



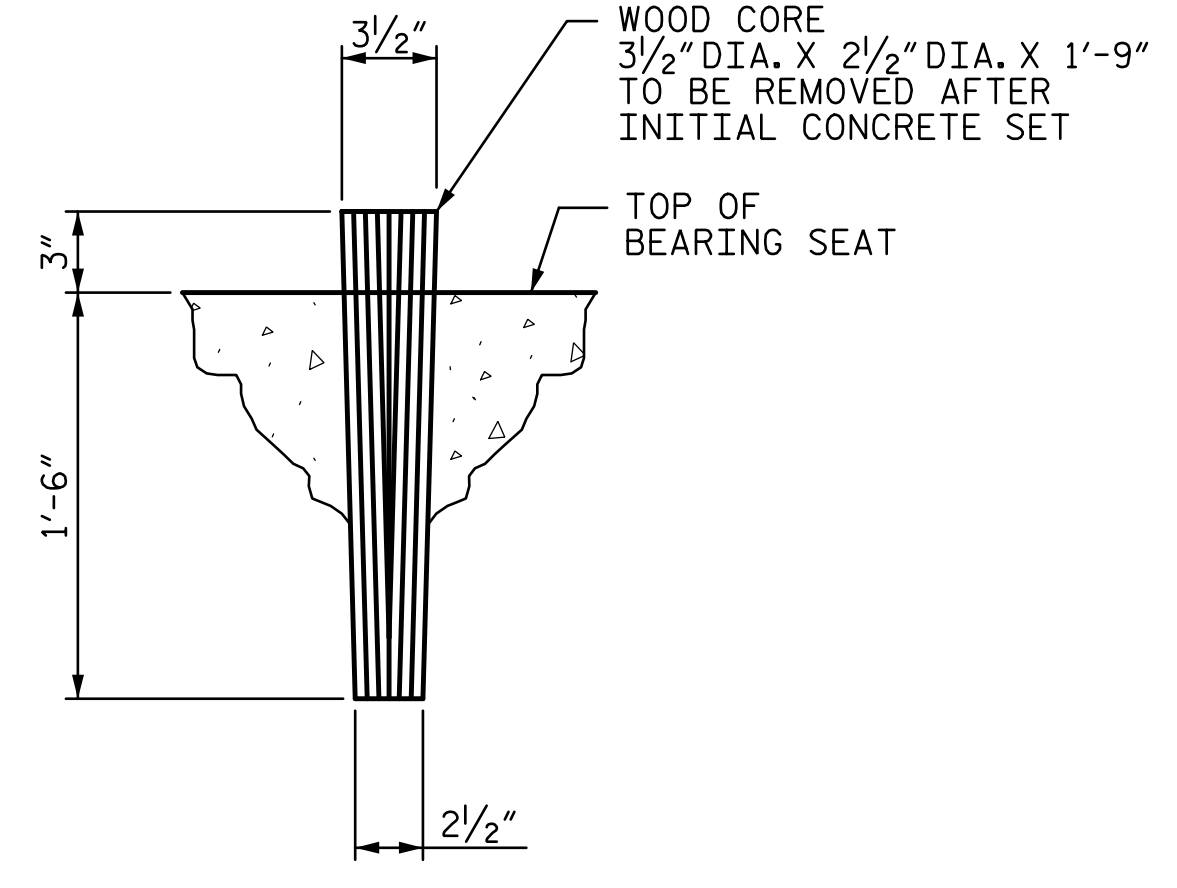
SECTION C-C  
(SPIRAL NOT SHOWN FOR CLARITY)



VIEW D-D



CONSTRUCTION JOINT DETAIL

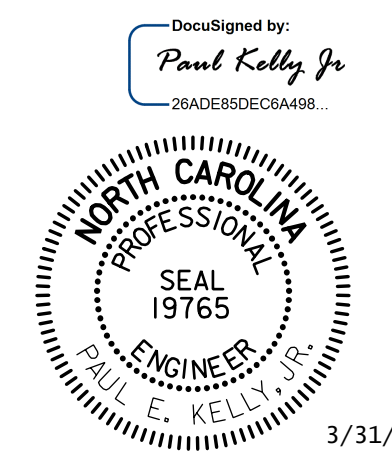


ANCHOR BLOCK OUT DETAIL

\* IF FREEZING WEATHER IS ENCOUNTERED FILL HOLES WITH ANTIFREEZE AND SAWDUST.

PROJECT NO. U-3308  
DURHAM COUNTY  
 STATION: POT 24+09.63 -LALT-  
POT 21+11.43 -NSN-

SHEET 2 OF 5  
 STATE OF NORTH CAROLINA  
 DEPARTMENT OF TRANSPORTATION  
 RALEIGH  
**ABUTMENT 1**



DRAWN BY: **TJT** DATE: **06-14**  
 CHECKED BY: **DJM** DATE: **06-14**

DOCUMENT NOT CONSIDERED FINAL  
 UNLESS ALL SIGNATURES COMPLETED

STV / Ralph Whitehead Associates, Inc.  
 900 W Trade Street, Suite 715  
 Charlotte, NC 28202  
 NC License No. F-0991

NO.		BY:		DATE:		REVISIONS		SHEET NO.	
1		TJT		06-14		1		S3-27	
2		DJM		06-14		2		TOTAL SHEETS 44	