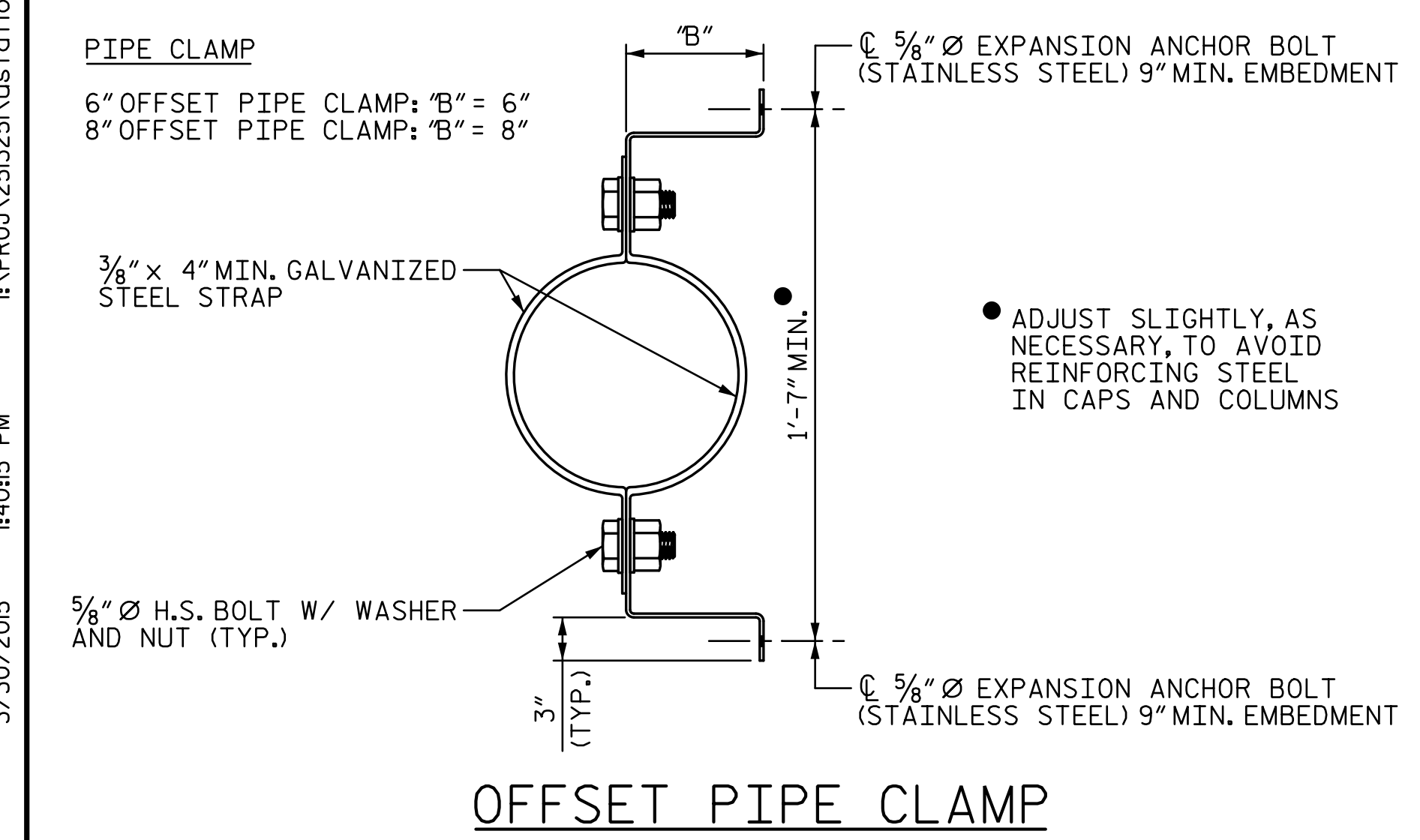
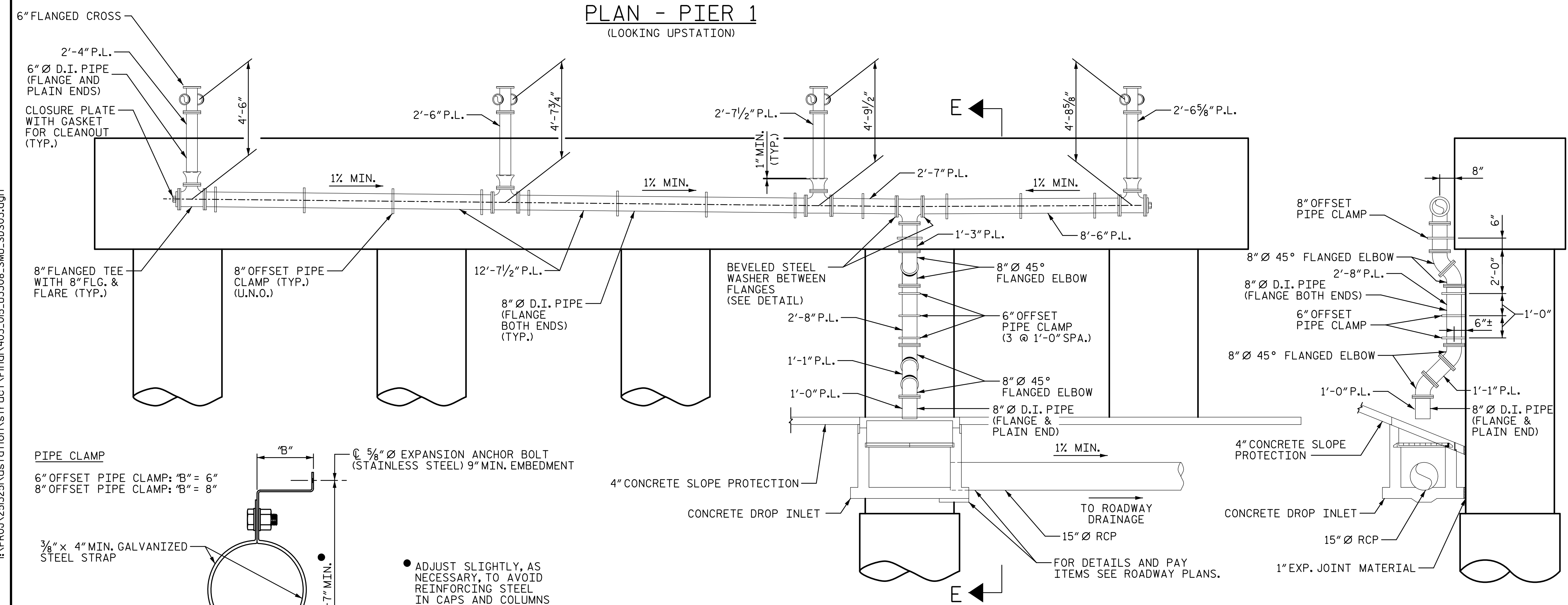
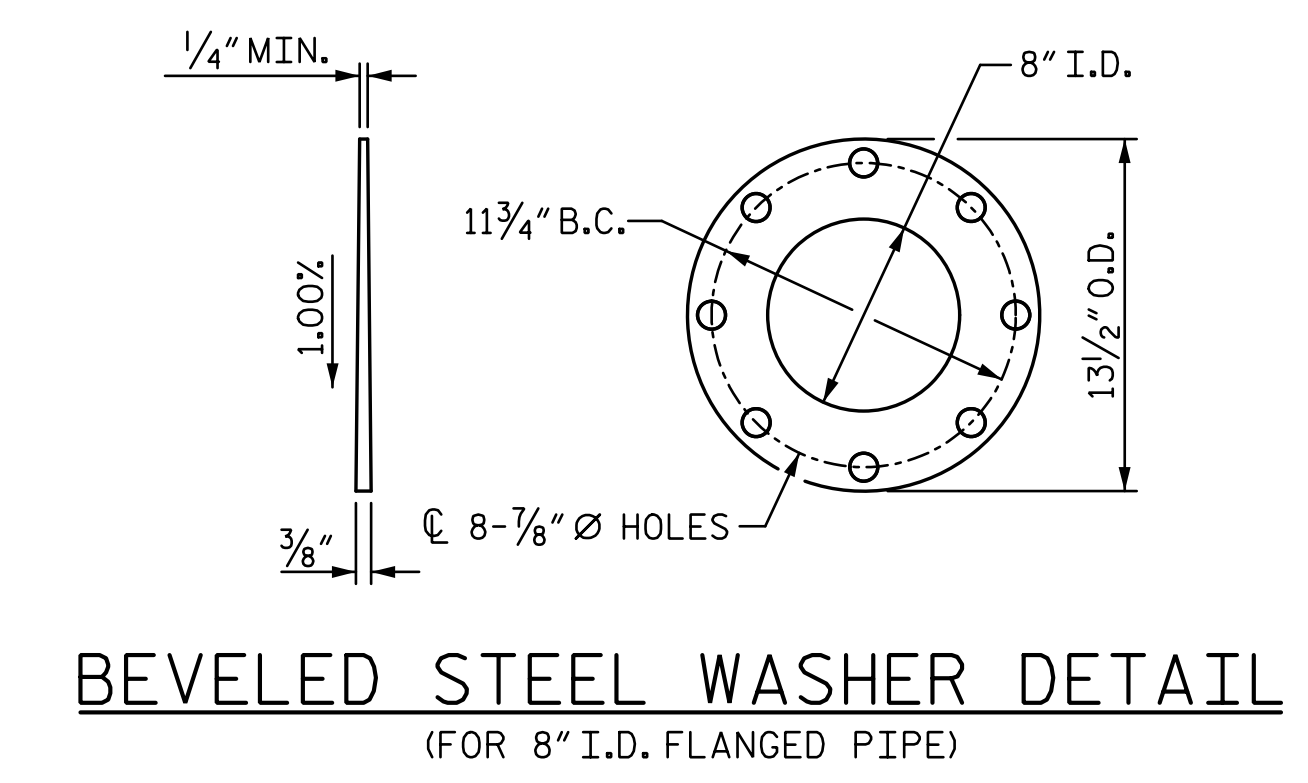
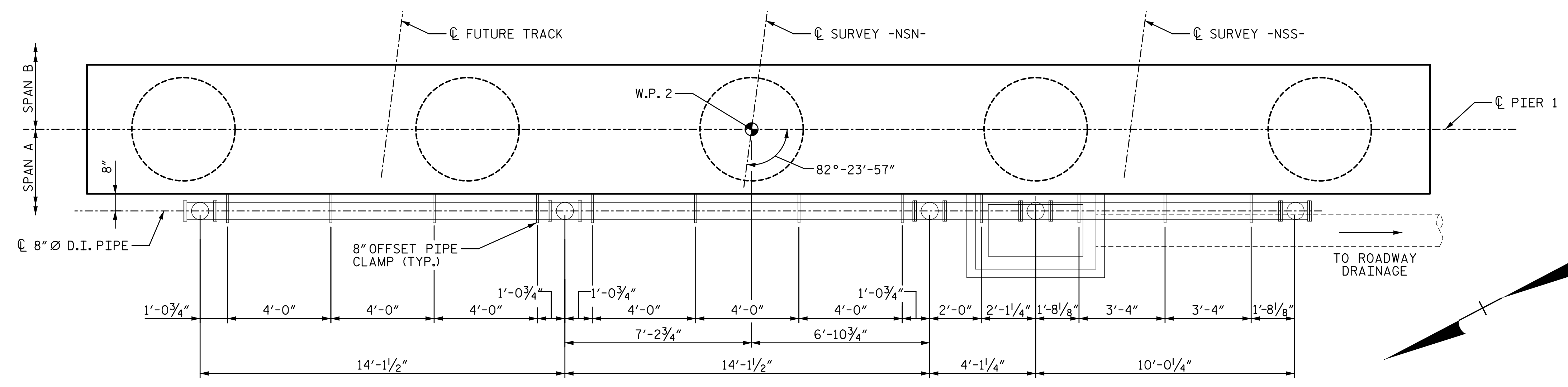
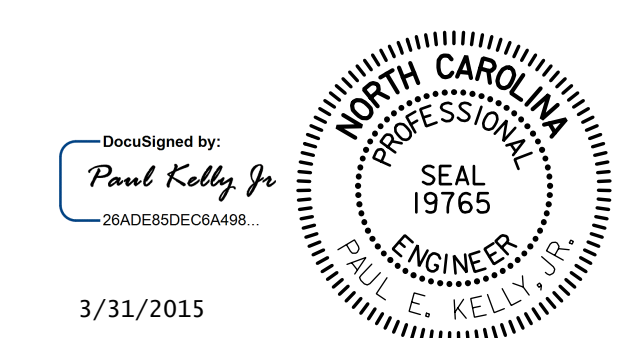


NOTES:
1. FOR NOTES, SEE SHEET 1 AND 2 OF 4.



PROJECT NO. U-3308
DURHAM COUNTY
 STATION: POT 24+09.63 -LALT-
POT 21+11.43 -NSN-

SECTION E-E



STATE OF NORTH CAROLINA
 DEPARTMENT OF TRANSPORTATION
 RALEIGH

STRUCTURE DRAINAGE SYSTEM

REVISIONS				SHEET NO.	
NO.	BY:	DATE:	NO.	BY:	DATE:
1			3		
2			4		

S3-15
 TOTAL SHEETS 44

I:\PROJ\251325\ustation\struct\Final\403_015_U3308_SMU_SDS03.dgn
 3/30/2015 4:40:15 PM
 olveyac

DRAWN BY: MTC DATE: 06-14
 CHECKED BY: DJM DATE: 06-14

DOCUMENT NOT CONSIDERED FINAL
 UNLESS ALL SIGNATURES COMPLETED

STV / Ralph Whitehead Associates, Inc.
 900 W Trade Street, Suite 715
 Charlotte, NC 28202
 NC License No. F-0991