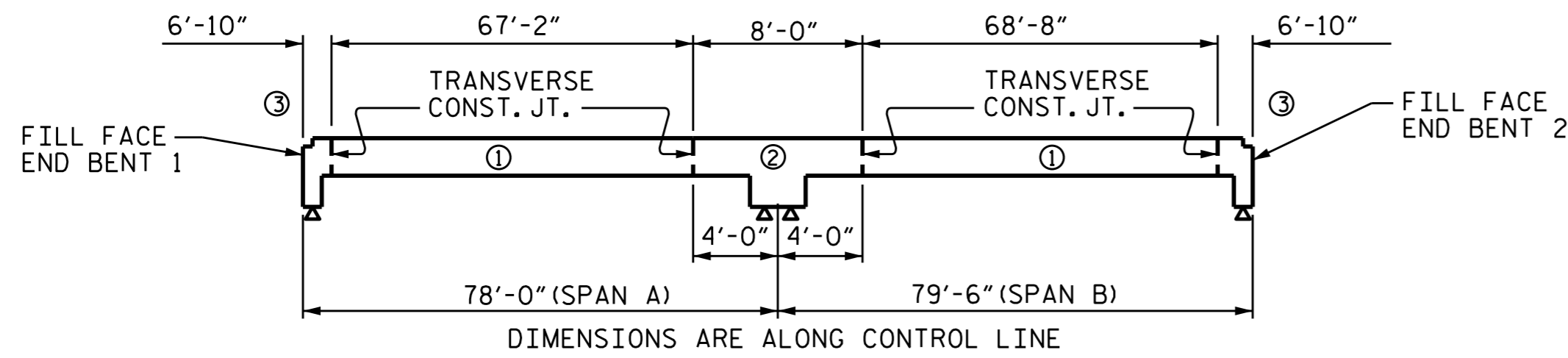
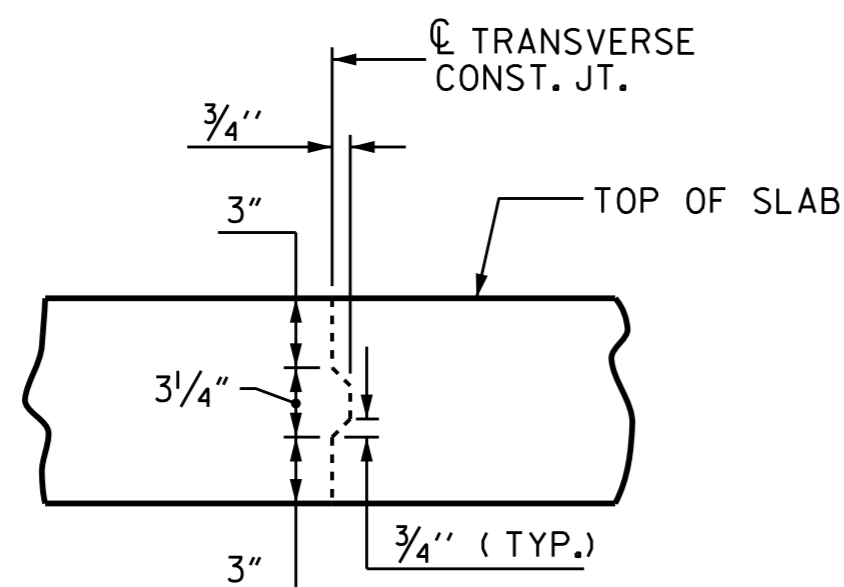


POURING SEQUENCE-PRESTRESSED CONCRETE SUPERSTRUCTURE

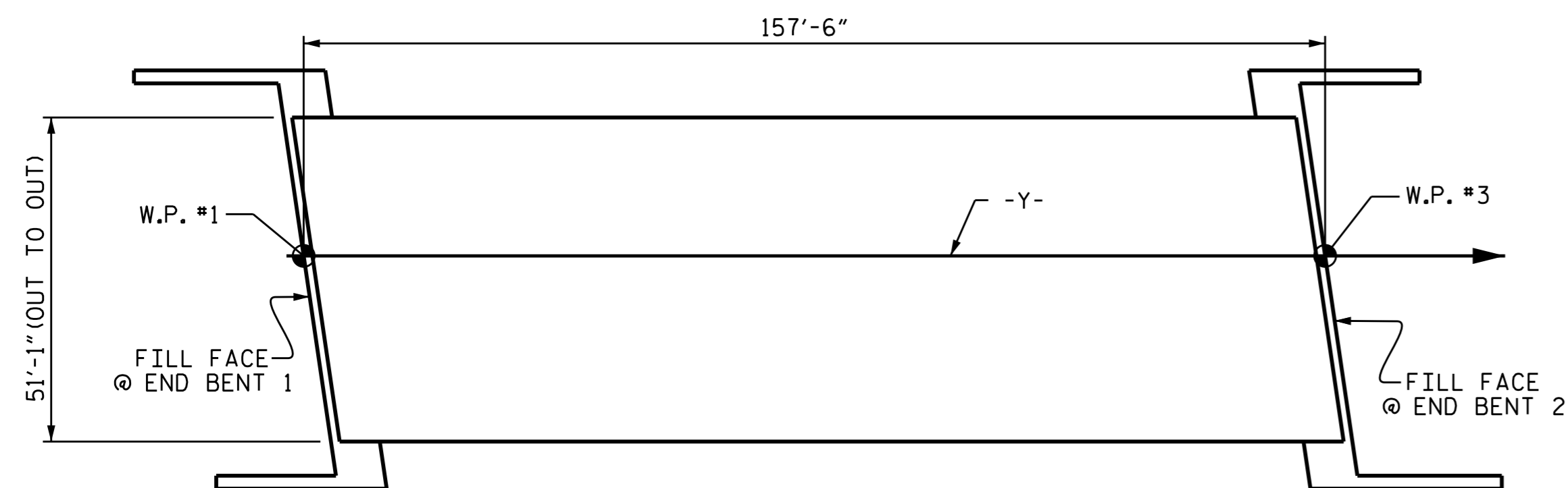


**OPTIONAL POURING SEQUENCE
PRESTRESSED CONCRETE SUPERSTRUCTURE**



TRANSVERSE CONSTRUCTION JOINT DETAIL

NOTE: REINFORCING STEEL IN SLAB NOT SHOWN.
LONGITUDINAL REINFORCING STEEL SHALL BE
CONTINUOUS THROUGH JOINT



LAYOUT FOR COMPUTING AREA
REINFORCED CONCRETE DECK SLAB
(SQ. FT. = 8,046)

DRAWN BY : P.S. ADKINS DATE : 4/22/14
CHECKED BY : J.D. HAWK DATE : 5/29/14
DESIGN ENGINEER OF RECORD : D.R. SMITH DATE : 11/3/14

22-MAR-2016 11:36
R:\Structures\Plans\str2\U3308_sd.BM.02.dgn
jdhawk

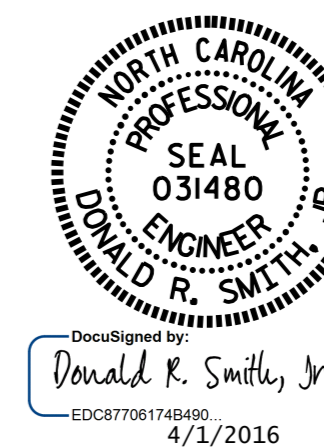
BILL OF MATERIAL

BAR	NO.	SIZE	TYPE	LENGTH	WEIGHT	BAR	NO.	SIZE	TYPE	LENGTH	WEIGHT
* A1	325	#5	STR	50'-9"	17,203	A256	1	#5	STR	33'-0"	34
A2	325	#5	STR	50'-9"	17,203	A257	1	#5	STR	29'-11"	31
* A101	1	#5	STR	42'-11"	45	A258	1	#5	STR	26'-9"	28
* A102	1	#5	STR	39'-9"	41	A259	1	#5	STR	23'-8"	25
* A103	1	#5	STR	36'-8"	38	A260	1	#5	STR	20'-6"	21
* A104	1	#5	STR	33'-6"	35	A261	1	#5	STR	17'-5"	18
* A105	1	#5	STR	30'-5"	32	A262	1	#5	STR	14'-3"	15
* A106	1	#5	STR	27'-3"	28	A263	1	#5	STR	11'-2"	12
* A107	1	#5	STR	24'-2"	25	A264	1	#5	STR	8'-0"	8
* A108	1	#5	STR	21'-0"	22	A265	1	#5	STR	6'-5"	7
* A109	1	#5	STR	17'-11"	19	A266	1	#5	STR	5'-5"	6
* A110	1	#5	STR	14'-9"	15	A267	1	#5	STR	4'-5"	5
* A111	1	#5	STR	11'-8"	12	* B1	266	#5	STR	15'-10"	4,393
* A112	1	#5	STR	8'-7"	9	* B2	67	#5	STR	58'-0"	4,053
* A113	1	#5	STR	5'-5"	6	* B3	66	#5	STR	24'-0"	1,652
* A114	1	#5	STR	2'-4"	2	* B4	68	#4	STR	19'-1"	867
A201	1	#5	STR	42'-11"	45	* B5	68	#4	STR	19'-11"	905
A202	1	#5	STR	39'-9"	41	B6	210	#5	STR	53'-8"	11,755
A203	1	#5	STR	36'-8"	38	* B7	42	#4	STR	27'-10"	781
A204	1	#5	STR	33'-6"	35	* G1	155	#4	STR	4'-11"	509
A205	1	#5	STR	30'-5"	32	H1	12	#6	STR	16'-2"	291
A206	1	#5	STR	27'-3"	28	H2	12	#6	STR	16'-3"	293
A207	1	#5	STR	24'-2"	25	H3	12	#6	STR	14'-0"	252
A208	1	#5	STR	21'-0"	22	H4	12	#6	STR	14'-1"	254
A209	1	#5	STR	17'-11"	19	H5	12	#6	STR	16'-0"	288
A210	1	#5	STR	14'-9"	15	H6	12	#6	STR	16'-1"	290
A211	1	#5	STR	11'-8"	12	H7	12	#6	STR	14'-2"	255
A212	1	#5	STR	8'-7"	9	H8	12	#6	STR	14'-3"	257
A213	1	#5	STR	5'-5"	6	K1	20	#4	STR	29'-7"	395
A214	1	#5	STR	2'-4"	2	K2	16	#4	STR	2'-8"	29
* A151	1	#5	STR	48'-8"	51	K3	4	#4	STR	5'-4"	14
* A152	1	#5	STR	45'-6"	47	K4	8	#4	STR	5'-10"	31
* A153	1	#5	STR	42'-5"	44	K5	4	#4	STR	5'-3"	14
* A154	1	#5	STR	39'-3"	41	K6	4	#4	STR	5'-1"	14
* A155	1	#5	STR	36'-2"	38	K7	16	#4	STR	9'-1"	97
* A156	1	#5	STR	33'-0"	34	K8	32	#4	STR	10'-1"	216
* A157	1	#5	STR	29'-11"	31	K9	16	#4	STR	9'-5"	101
* A158	1	#5	STR	26'-9"	28	K10	8	#4	STR	8'-7"	46
* A159	1	#5	STR	23'-8"	25	K11	10	#4	STR	23'-5"	156
* A160	1	#5	STR	20'-6"	21	K12	8	#4	STR	7'-4"	39
* A161	1	#5	STR	17'-5"	18	S1	136	#4	2	2'-9"	250
* A162	1	#5	STR	14'-3"	15	S2	80	#4	3	12'-0"	641
* A163	1	#5	STR	11'-2"	12	* S3	92	#4	4	11'-11"	732
* A164	1	#5	STR	8'-0"	8	* S4	78	#4	4	10'-10"	564
* A165	1	#5	STR	6'-5"	7	S5	16	#4	3	13'-10"	148
* A166	1	#5	STR	5'-5"	6	U1	28	#4	1	14'-10"	277
* A167	1	#5	STR	4'-5"	5	U2	8	#4	1	12'-10"	69
A251	1	#5	STR	48'-8"	51	* U3	23	#4	3	4'-0"	61
A252	1	#5	STR	45'-6"	47	* U4	23	#4	3	2'-10"	44
A253	1	#5	STR	42'-5"	44						
A254	1	#5	STR	39'-3"	41						
A255	1	#5	STR	36'-2"	38						

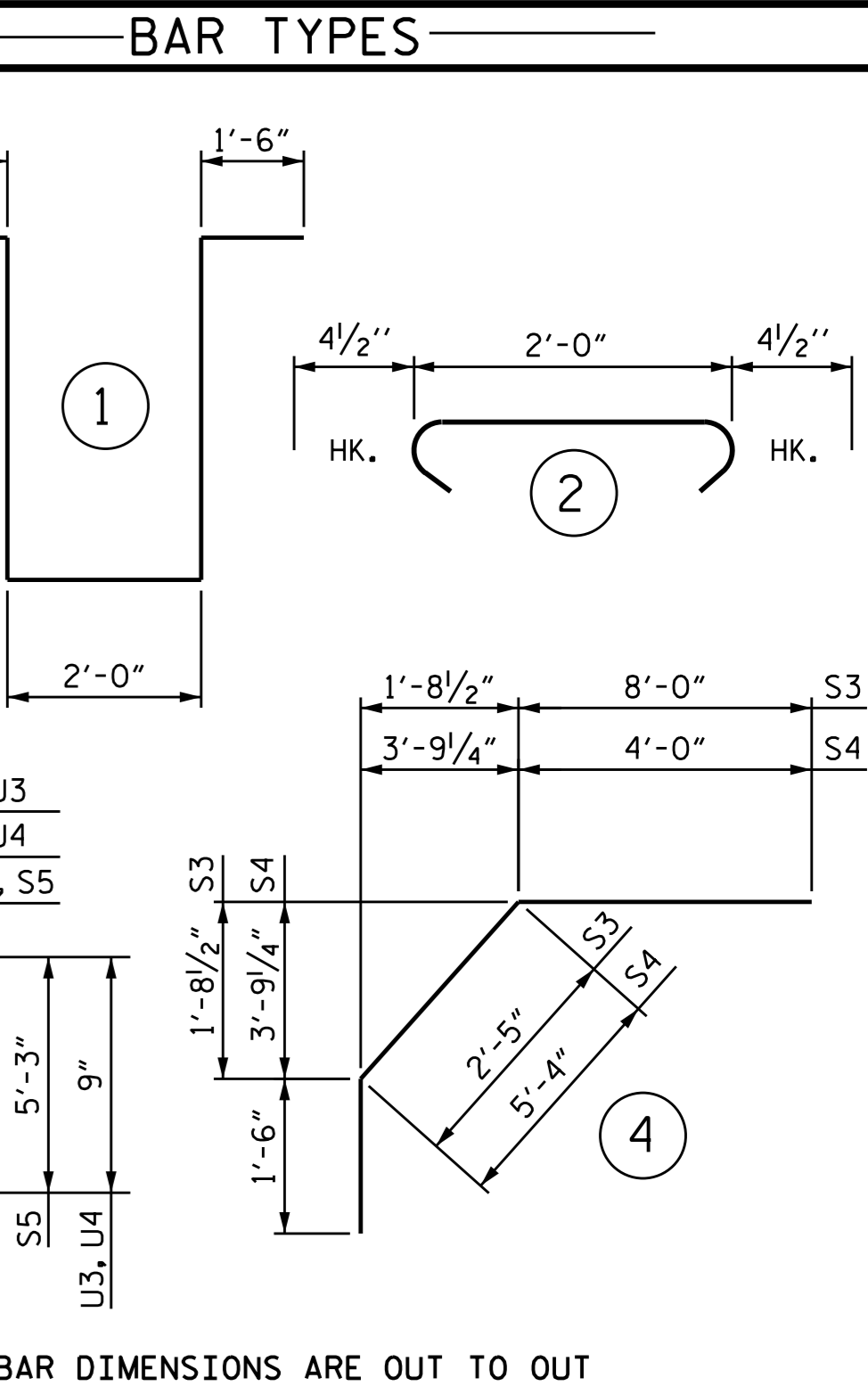
* EPOXY COATED
REINFORCING STEEL LBS. 32,524
REINFORCING STEEL LBS. 34,435

**SUPERSTRUCTURE REINFORCING STEEL
LENGTHS ARE BASED ON THE
FOLLOWING MINIMUM SPLICE LENGTHS**

BAR SIZE	SUPERSTRUCTURE EXCEPT APPROACH SLABS, PARAPET, AND BARRIER RAIL		APPROACH SLABS		PARAPET AND BARRIER RAIL
	EPOXY COATED	UNCOATED	EPOXY COATED	UNCOATED	
#4	2'-0"	1'-9"	2'-0"	1'-9"	2'-9"
#5	2'-6"	2'-2"	2'-6"	2'-2"	3'-5"
#6	3'-0"	2'-7"	3'-10"	2'-7"	4'-4"
#7	5'-3"	3'-6"			
#8	6'-10"	4'-7"			



DOCUMENT NOT CONSIDERED
FINAL UNLESS ALL
SIGNATURES COMPLETED



ALL BAR DIMENSIONS ARE OUT TO OUT

SUPERSTRUCTURE BILL OF MATERIAL

	CLASS AA CONCRETE	REINFORCING STEEL	EPOXY COATED REINFORCING STEEL
	(CU. YDS.)	(LBS.)	(LBS.)
POUR 1	113.4		
POUR 2	153.2		
POUR 3	100.8	34,435	32,524
SIDEWALK	19.1		
TOTALS **	386.5	34,435	32,524

** QUANTITIES FOR PARAPET ARE NOT INCLUDED

GROOVING BRIDGE FLOORS

APPROACH SLABS	1,932	SO.FT.
BRIDGE DECK	6,218	SO.FT.
TOTAL	8,150	SO.FT.

PROJECT NO. U-3308
DURHAM COUNTY
STATION: 23+00.86-LALT-

STATE OF NORTH CAROLINA
DEPARTMENT OF TRANSPORTATION
RALEIGH
STANDARD
SUPERSTRUCTURE
BILL OF MATERIAL

REVISIONS						SHEET NO. S2-23
NO.	BY:	DATE:	NO.	BY:	DATE:	
1			3			TOTAL SHEETS 32
2			4			

STR. #2 STD. NO. BOM2