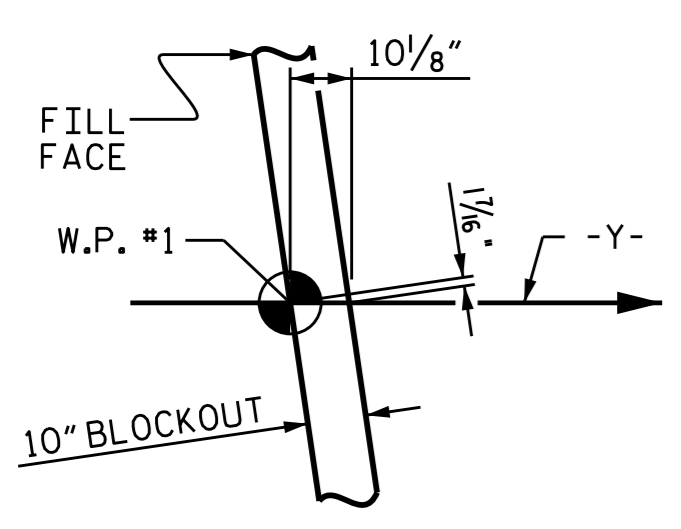


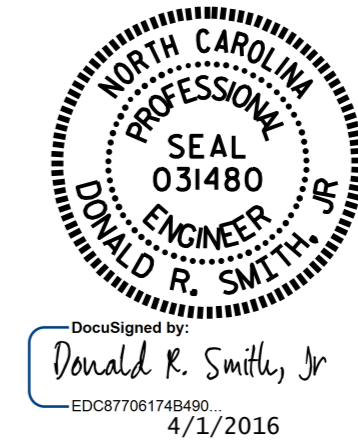
PLAN OF SPAN A

SEE "PLAN OF SPAN DETAILS" SHEETS FOR ADDITIONAL REINFORCING STEEL IN WINGS.
 FOR REINFORCING STEEL IN SIDEWALK, SEE "SIDEWALK DETAILS" SHEET.
 FOR LOCATION OF TRANSVERSE CONSTRUCTION JOINTS, SEE "SUPERSTRUCTURE
 BILL OF MATERIAL" SHEET.

DETAIL "A"



PROJECT NO. U-3308
 DURHAM COUNTY
 STATION: 23+00.86-LALT-
 SHEET 1 OF 4



STATE OF NORTH CAROLINA
 DEPARTMENT OF TRANSPORTATION
 RALEIGH
 SUPERSTRUCTURE
 PLAN OF SPANS
 SPAN A

DRAWN BY: P.S. ADKINS DATE: 5/6/14
 CHECKED BY: J.D. HAWK DATE: 5/29/14
 DESIGN ENGINEER OF RECORD: D.R. SMITH DATE: 11/3/14

DOCUMENT NOT CONSIDERED
 FINAL UNLESS ALL
 SIGNATURES COMPLETED

REVISIONS						SHEET NO.
NO.	BY:	DATE:	NO.	BY:	DATE:	TOTAL SHEETS
1			3			32
2			4			