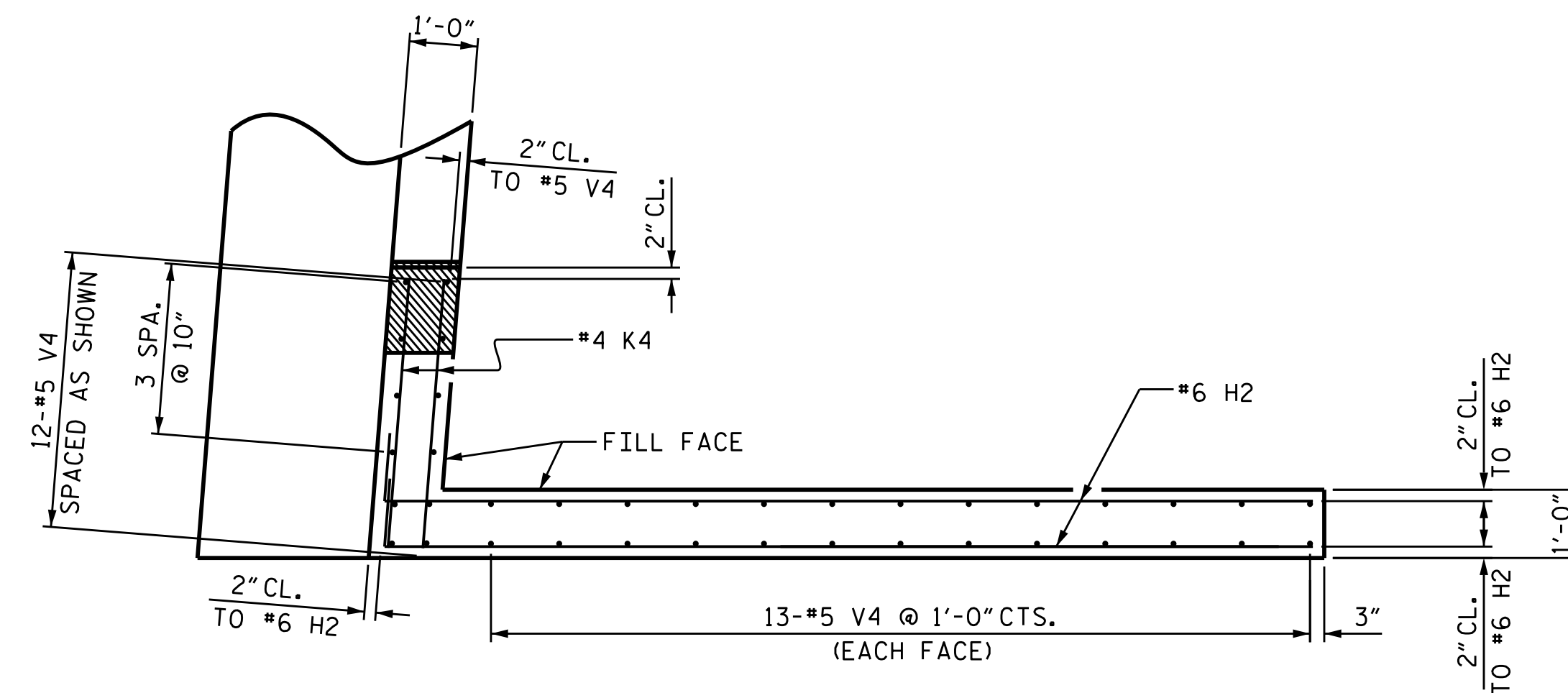
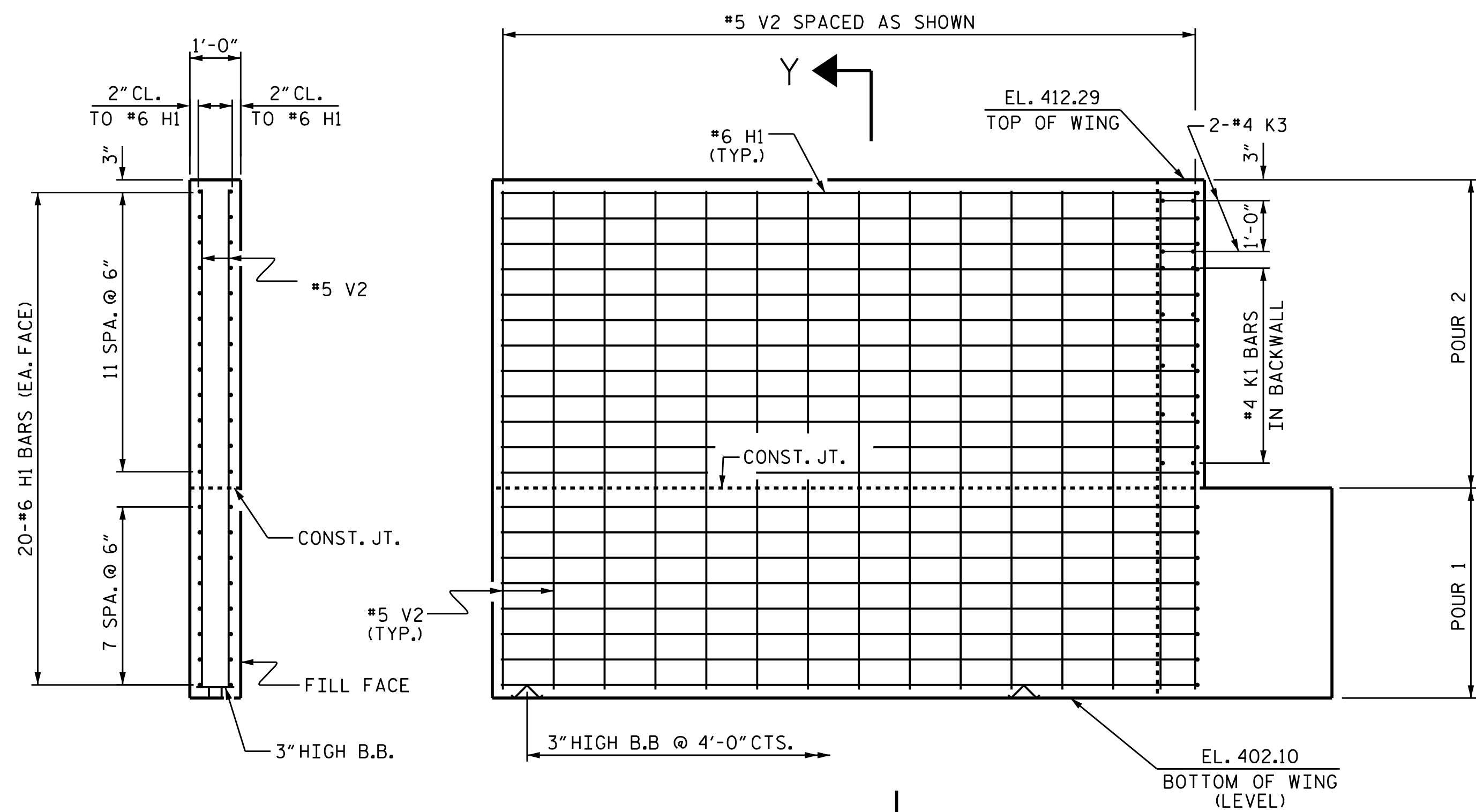


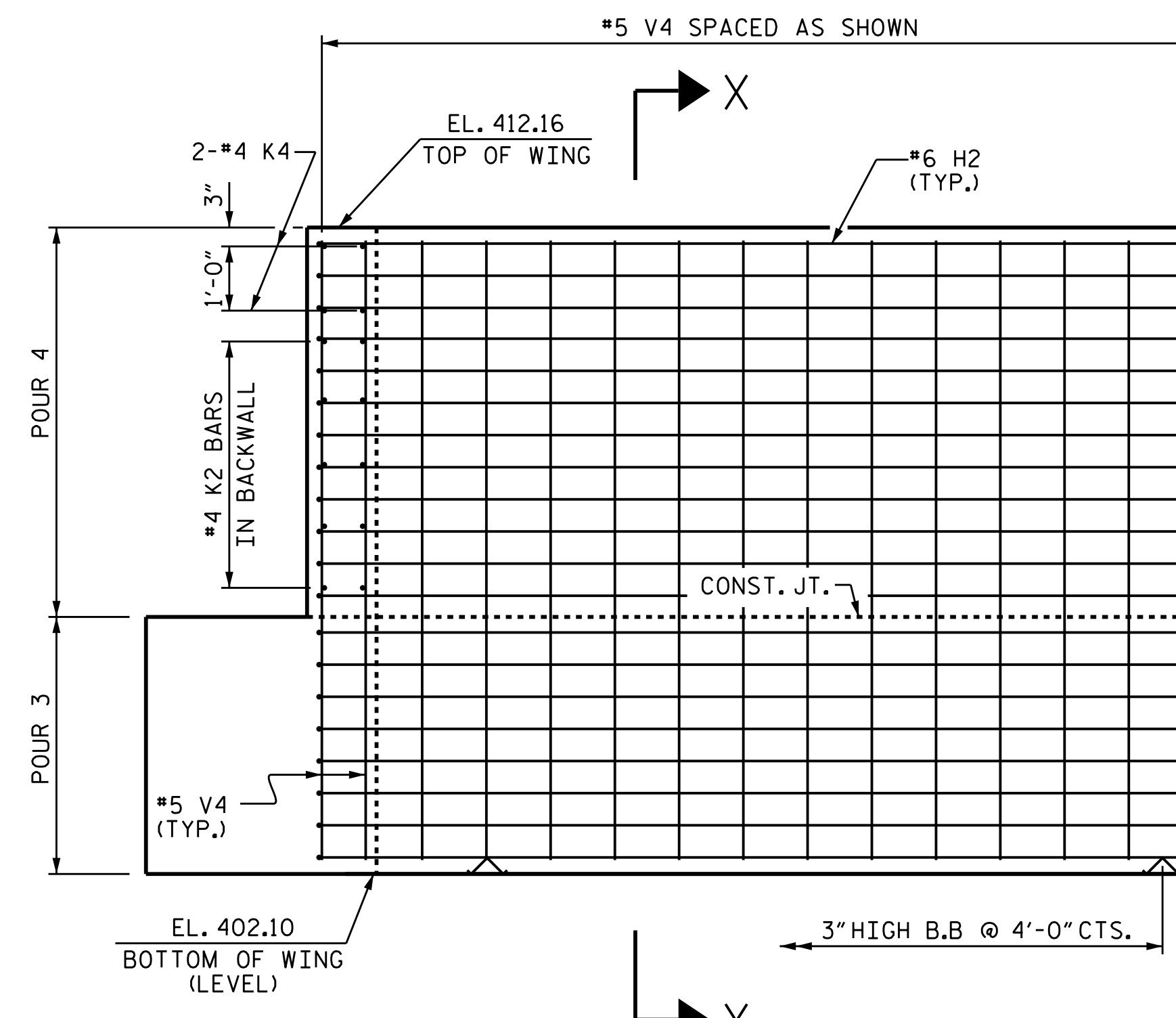
PLAN OF LEFT WING  
(STAGE I)



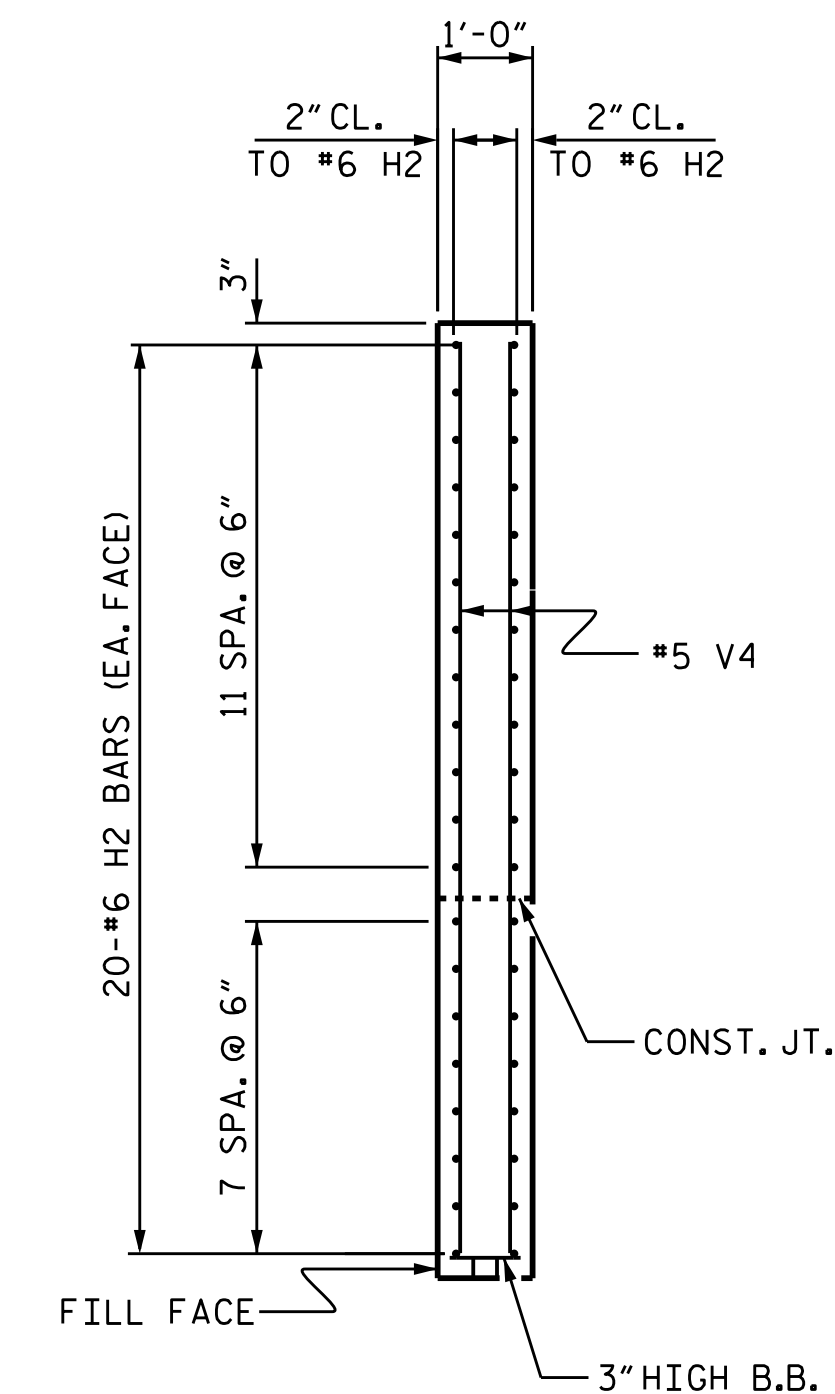
PLAN OF RIGHT WING  
(STAGE II)



ELEVATION OF LEFT WING  
(STAGE I)



ELEVATION OF RIGHT WING  
(STAGE II)



SECTION X-X

SECTION Y-Y

PROJECT NO. U-3308  
DURHAM COUNTY  
STATION: 16+42.70-LALT-

SHEET 3 OF 4



DocuSigned by:  
Donald R. Smith, Jr.  
EDC87706174B490  
4/1/2016

STATE OF NORTH CAROLINA  
DEPARTMENT OF TRANSPORTATION  
RALEIGH

SUBSTRUCTURE  
END BENT 2

DRAWN BY : P.S. ADKINS DATE : 11/18/14  
CHECKED BY : J.D. HAWK DATE : 11/20/14  
DESIGN ENGINEER OF RECORD: H. LOCKLEAR DATE : 12/17/14

DOCUMENT NOT CONSIDERED  
FINAL UNLESS ALL  
SIGNATURES COMPLETED

REVISIONS						SHEET NO.	
NO.	BY:	DATE:	NO.	BY:	DATE:	S1-41	
1			3			TOTAL SHEETS	
2			4			47	