


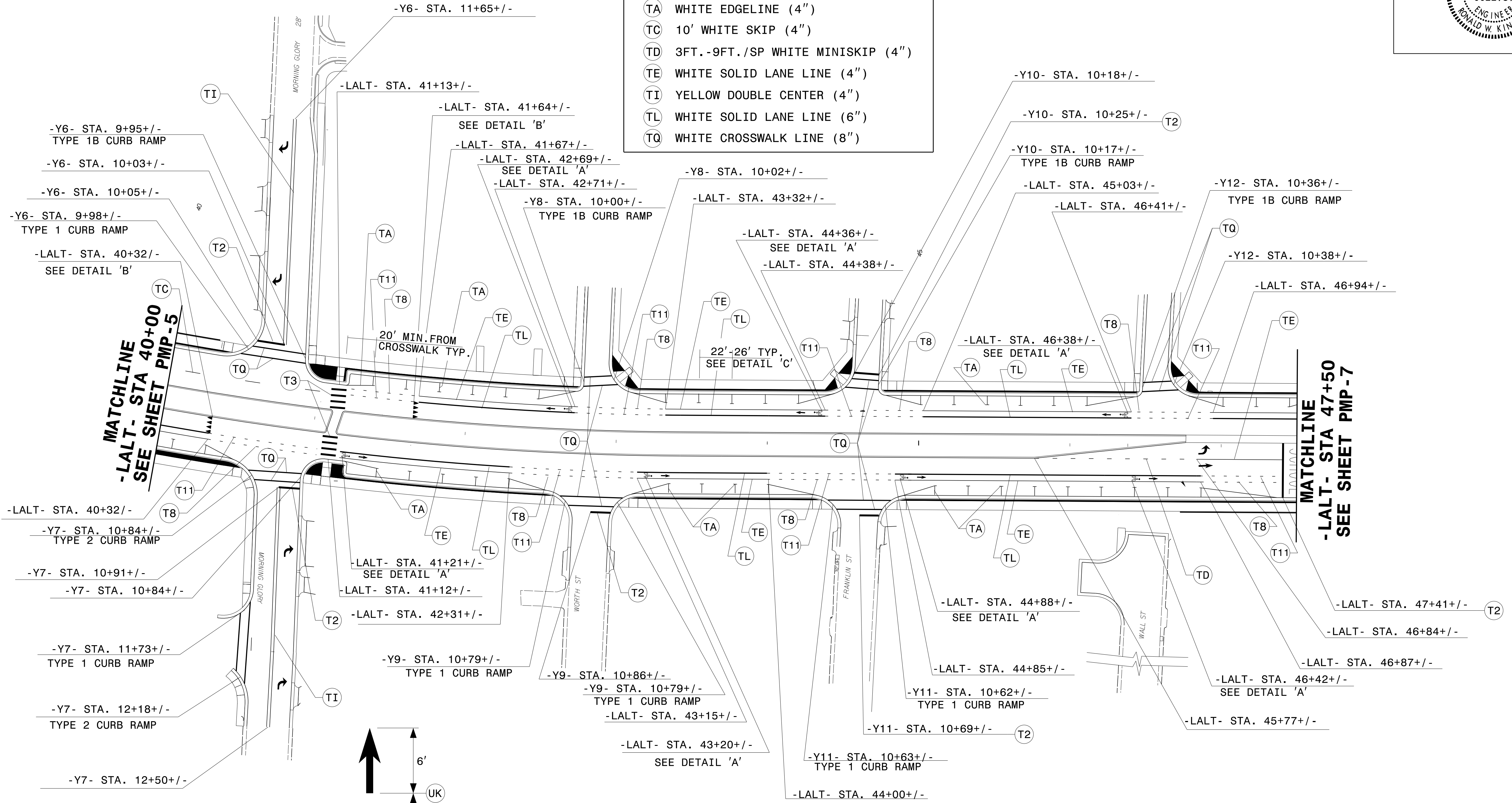
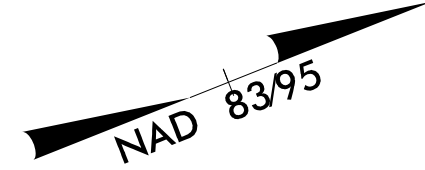


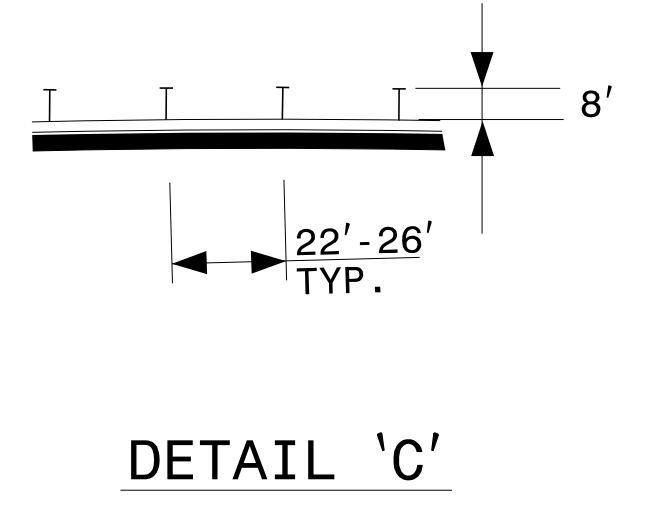
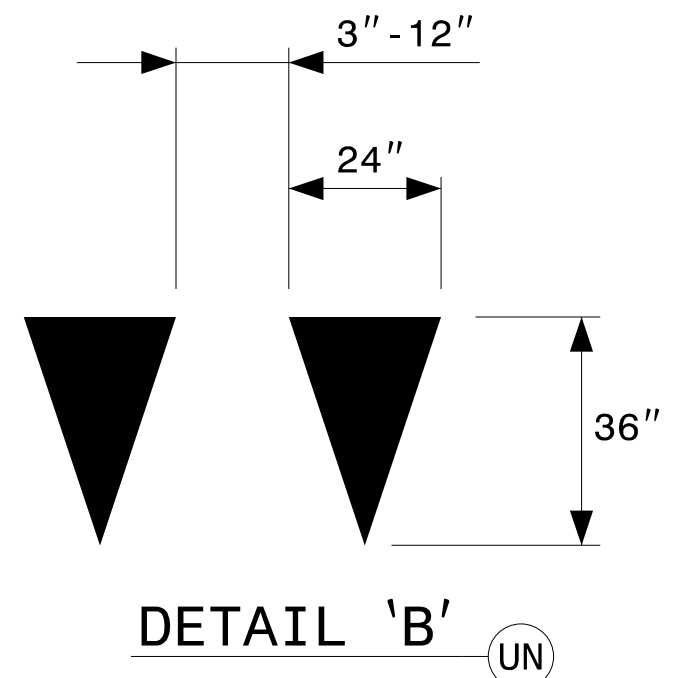
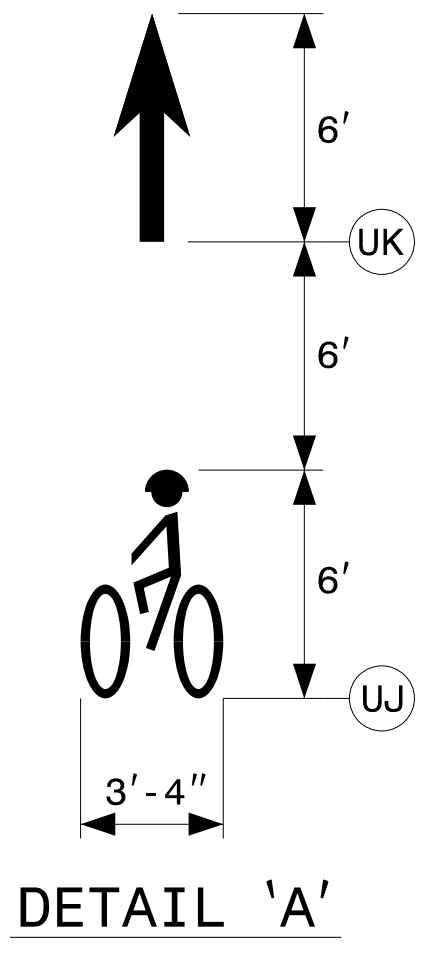
SYMBOL AND PAVEMENT MARKING LEGEND

- THERMOPLASTIC**
- (T2) WHITE STOPBAR (24")
 - (T8) 2FT.-6FT./SP WHITE MINISKIP (4")
 - (T11) 2FT.-6FT./SP WHITE MINISKIP (6")
 - (TA) WHITE EDGELINE (4")
 - (TC) 10' WHITE SKIP (4")
 - (TD) 3FT.-9FT./SP WHITE MINISKIP (4")
 - (TE) WHITE SOLID LANE LINE (4")
 - (TI) YELLOW DOUBLE CENTER (4")
 - (TL) WHITE SOLID LANE LINE (6")
 - (TQ) WHITE CROSSWALK LINE (8")

-  UA LEFT TURN ARROW
-  UB RIGHT TURN ARROW
-  UC STRAIGHT ARROW



MATCHLINE
-LALT- STA 47+50
SEE SHEET PMP-7



PAVEMENT MARKING DETAIL