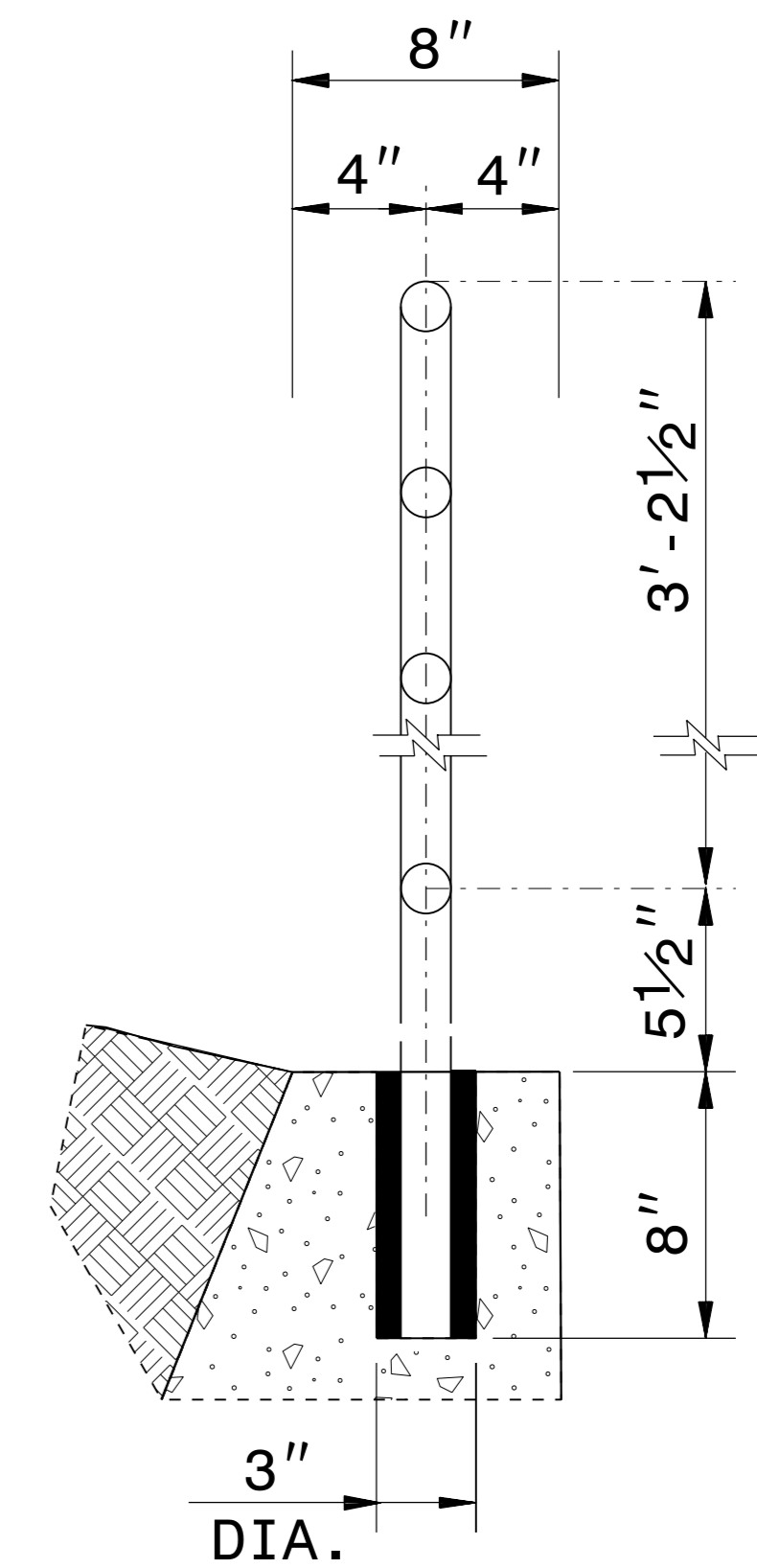
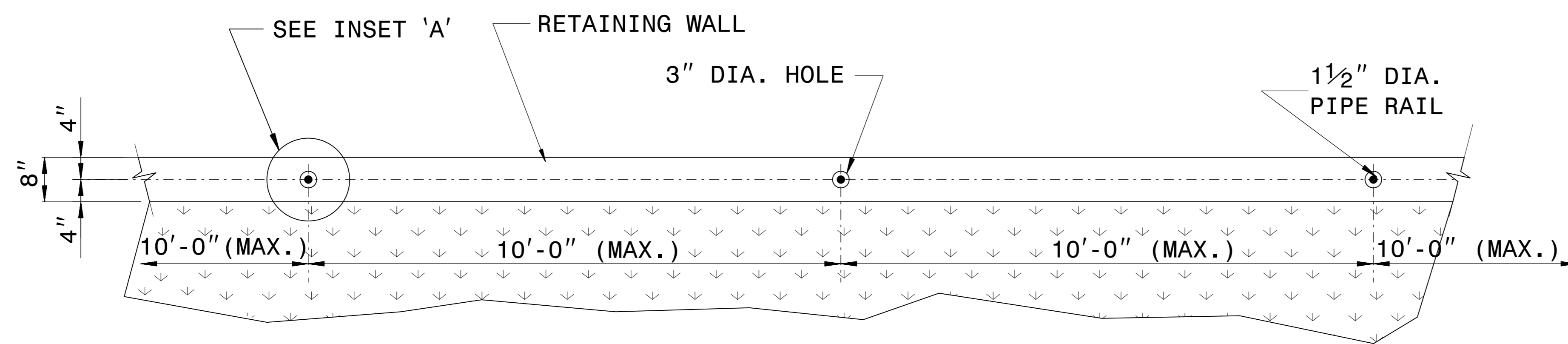


ELEVATION OF HANDRAIL



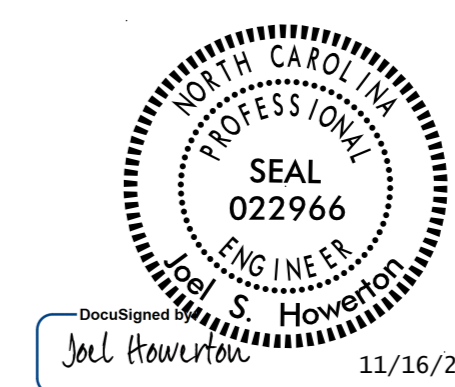
INSET 'A'



PLAN VIEW

NOTES:

- CONSTRUCT PROPOSED STEEL PIPE RAIL 1½" DIAMETER SCHEDULE 40 PLAIN END GALVANIZED STEEL PIPE MEETING THE REQUIREMENTS OF ASTM A53.
- EMBED PIPE RAIL 8" INTO PROPOSED WALL WITH CHEMICAL OR CONCRETE GROUT ANCHORING SYSTEM AS DIRECTED BY THE ENGINEER.
- REPAIR GALVANIZING IN ACCORDANCE WITH SECTION 1076 OF THE NCDOT STANDARD SPECIFICATIONS.
- PAINT, IF REQUIRED BY THE ENGINEER, IN ACCORDANCE WITH SECTION 1080 OF THE STANDARD SPECIFICATIONS.
- CENTER THE PROPOSED RAILING ON TOP OF THE WALL WITH POST SPACING SYMMETRICAL ABOUT THE CENTER-LINE OF THE WALL.
- USE A ROTARY DRILL IF NEEDED FOR EMBEDMENT HOLES OF RAIL IN WALL. ROTARY DRILL ONLY (NO ROTARY-IMPACT DRILLS).
- WELD IN ACCORDANCE WITH ARTICLE 1072-18 OF THE STANDARD SPECIFICATIONS.



CONTRACT STANDARDS AND DEVELOPMENT UNIT	
Office 919-707-6950 FAX 919-250-4119	
DETAIL OF PIPE HANDRAIL MOUNTED ON RETAINING WALL	
ORIGINAL BY: E.E. WARD	DATE: 12-99
MODIFIED BY:	DATE:
CHECKED BY:	DATE:
FILE SPEC.: jhowerton/handrail on retaining_wall.dgn	

TIME\$\$\$\$
 C:\\$USER\$\NAME\$\$\$\$
 \$\$\$