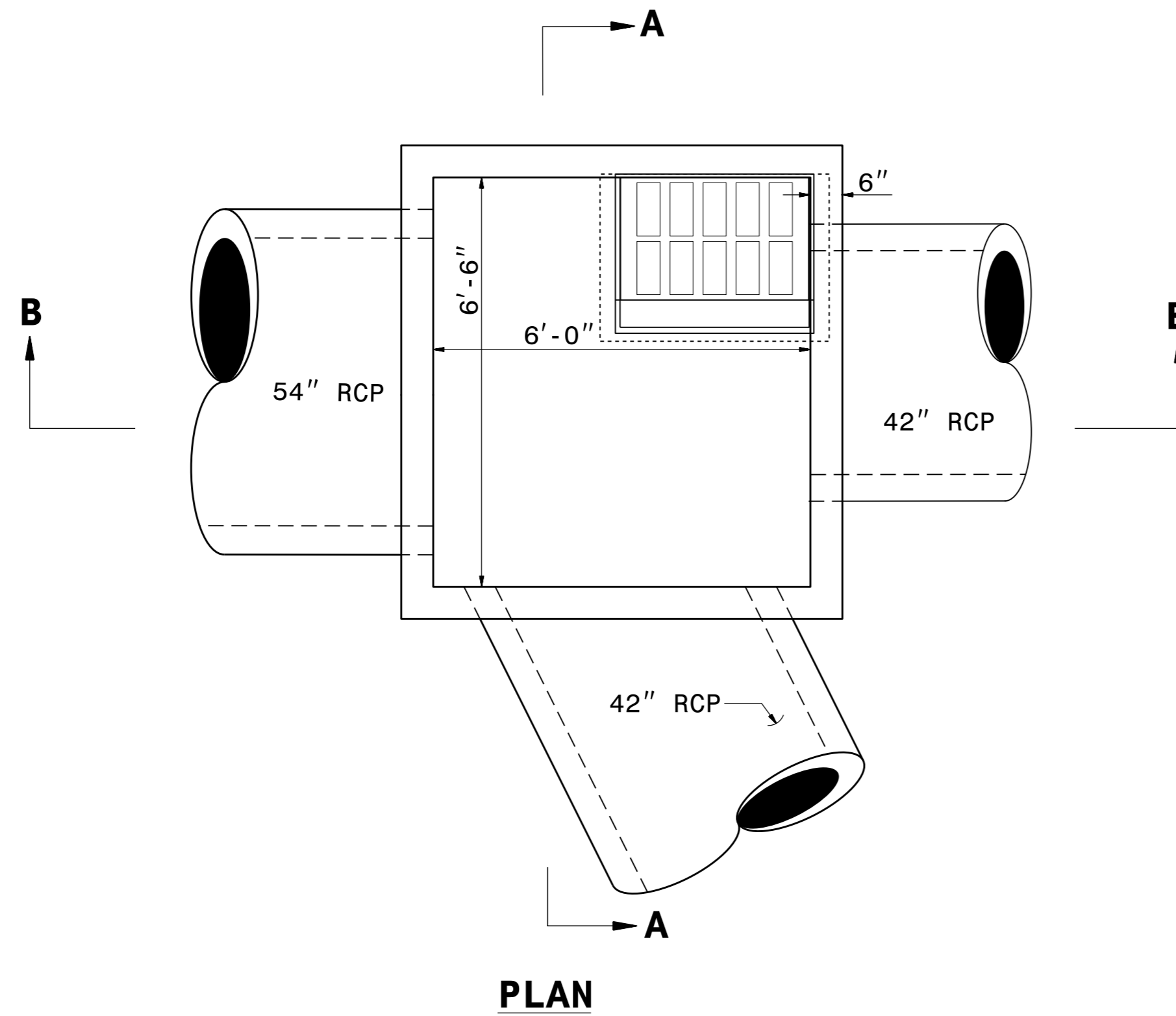


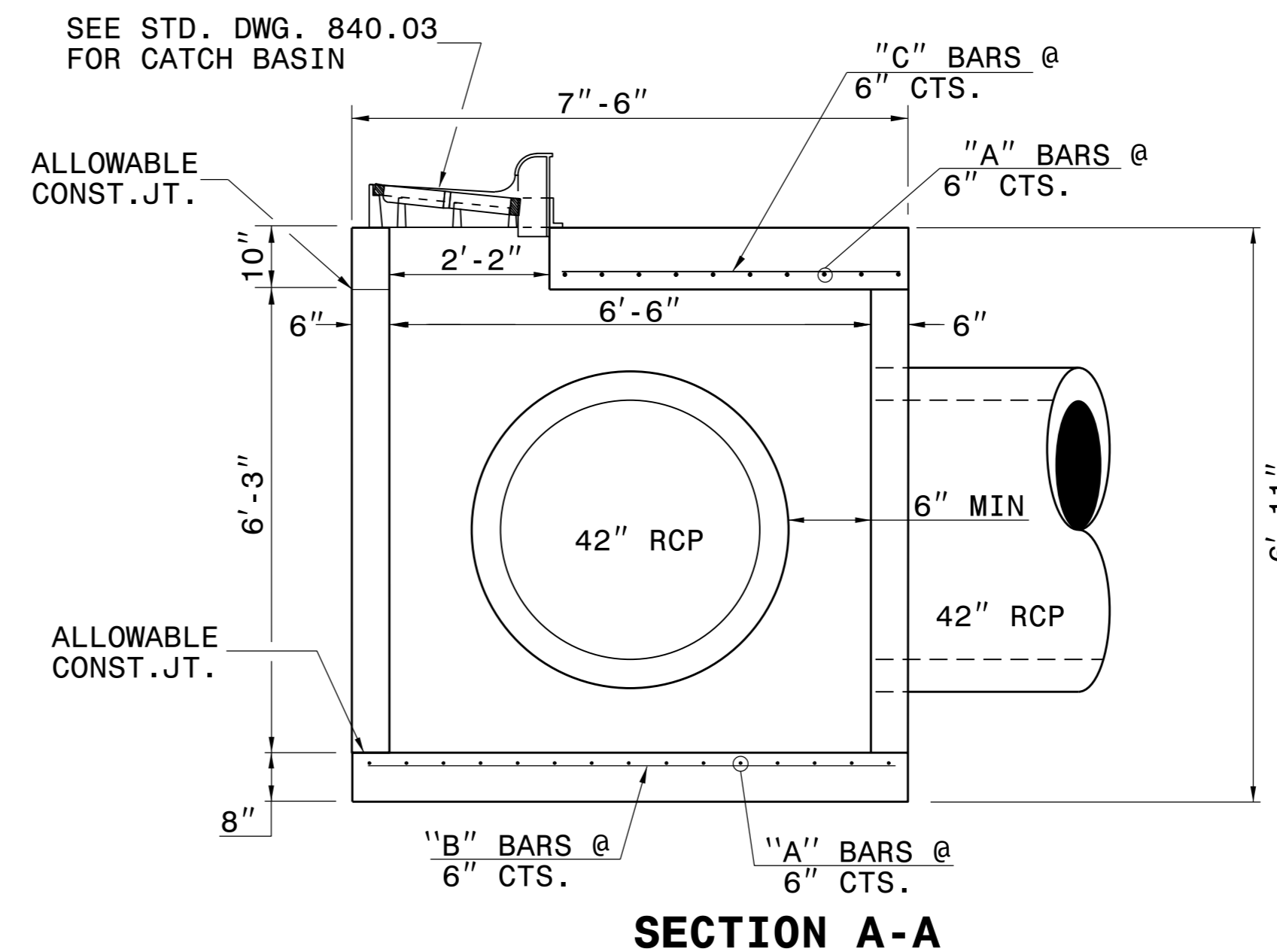
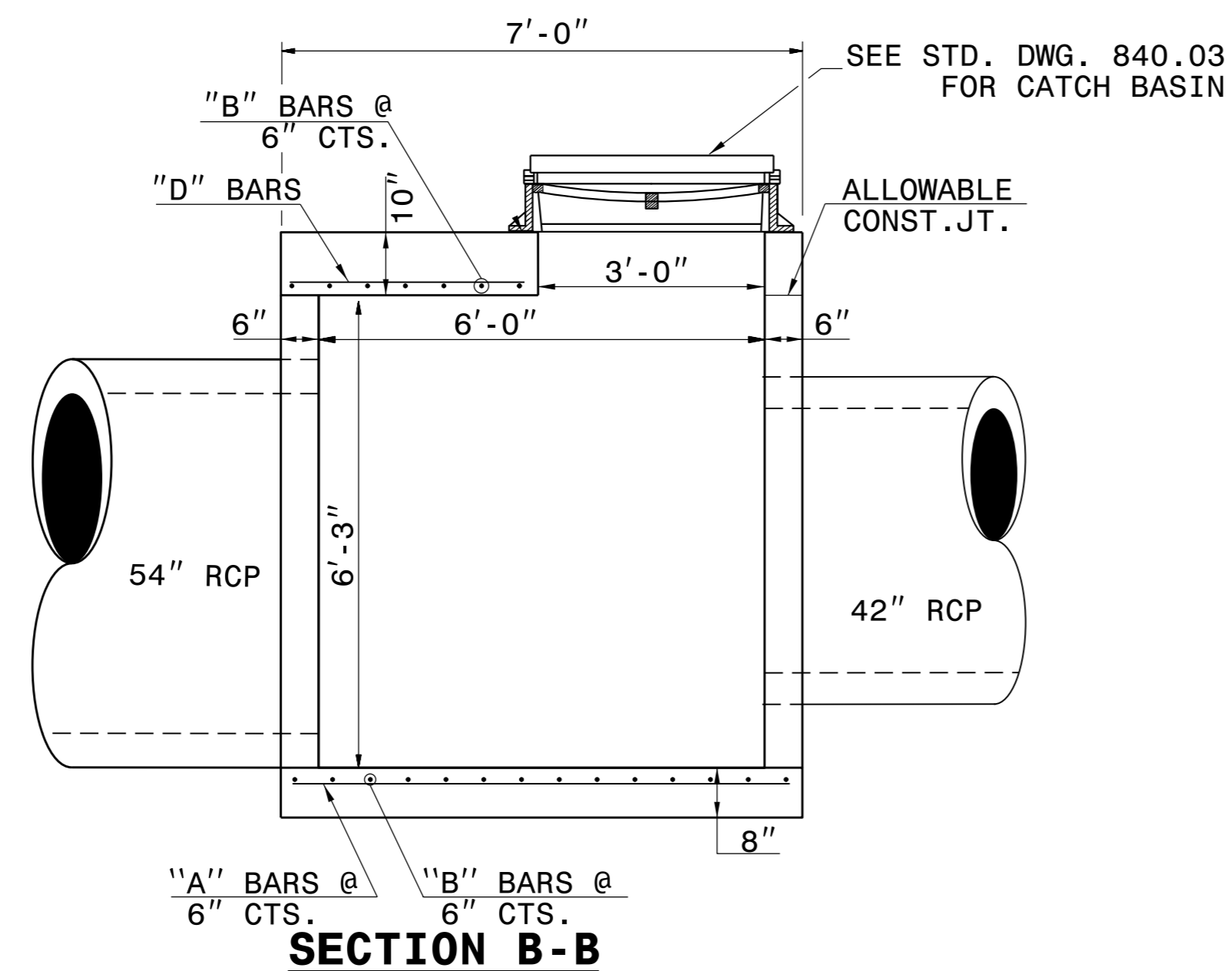
GENERAL NOTES:

1. USE CLASS "B" CONCRETE THROUGHOUT.
2. CONSTRUCT CONCRETE BOX IN ACCORDANCE WITH SECTION 825 OF THE STANDARD SPECIFICATIONS.
3. USE FORMS TO CONSTRUCT THE BOTTOM SLAB.
4. ADJUST LENGTH OF STEEL BARS AS NEEDED TO COMPENSATE FOR PIPES AND FRAME AND GRATE OPENINGS.
5. REINFORCING STEEL SHALL CONFORM TO ASTM A 615, GRADE 400.
6. CUT OR BEND STEEL BARS AS NEEDED TO PROVIDE 2" CLEARANCE.
7. LOCATE FRAME AND GRATE AS FIELD CONDITIONS DICTATE AND AS DIRECTED BY THE ENGINEER.
8. PROVIDE STEPS 12" ON CENTER. USE STEPS WHICH COMPLY WITH STD. DRAWING 840.66.
9. DIMENSIONS MAY BE ADJUSTED IN THE FIELD AS DIRECTED BY THE ENGINEER.



BILL OF MATERIALS				
BAR	QTY	SIZE	LENGTH	WEIGHT
A	25	#5	6'-8"	174
B	21	#5	7'-2"	157
C	7	#5	4'-6"	33
D	5	#5	3'-2"	17
TOTAL REINF. STEEL (lbs.)				381
TOTAL CONC. CU. YDS.				6.3
DEDUCTIONS FOR ONE PIPE (CY)				
42" RC PIPE				0.32
54" RC PIPE				0.49

NO DEDUCTIONS HAVE BEEN MADE TO ACCOMMODATE PIPES OR CATCH BASIN OPENING.



DocuSigned by:  
Joel Howerton  
878F3D7DCDC48F... 11/16/2015

**CONTRACTS STANDARDS AND DEVELOPMENT UNIT**  
Office 919-707-6950 FAX 919-250-4119

**DETAIL OF SPECIAL CATCH BASIN**

ORIGINAL BY: K.A. KEMPF	DATE: AUG 08, 2008
MODIFIED BY: K.A. KEMPF	DATE: AUG 12, 2014
CHECKED BY:	DATE:
FILE SPEC.: s:details/kkempf/english/U3308_cb54-42rcp.dgn	

C:\TIME\2014\CON\CON\USER\NAME\...