

REINFORCING FOR CONCRETE WEARING SURFACE

BEAM AND SLAB BOLSTER HEIGHTS BASED ON PREDICTED FINAL CAMBER AND THEORETICAL GRADE LINE ELEVATION AND VARY BETWEEN ϕ BEARING AND MID-SPAN.

BEAM OR SLAB BOLSTER HEIGHTS				
SPAN	LOCATION	LT. GUTTERLINE	GRADE PT.	RT. GUTTERLINE
A	BEARING (NEAR)	1"	1"	1"
	MID-SPAN	$\frac{3}{4}$ "**	$\frac{3}{4}$ "**	$\frac{3}{4}$ "**
	BEARING (FAR)	1"	1"	$\frac{3}{4}$ "**
B	BEARING (NEAR)	$\frac{3}{4}$ "	$2\frac{3}{4}$ "	$2\frac{1}{2}$ "
	MID-SPAN	$2\frac{1}{2}$ "	$1\frac{3}{4}$ "	1"
	BEARING (FAR)	$4\frac{1}{2}$ "	$3\frac{1}{2}$ "	$2\frac{1}{2}$ "
C	BEARING (NEAR)	$2\frac{3}{4}$ "	$1\frac{3}{4}$ "	$\frac{3}{4}$ "**
	MID-SPAN	3"	$1\frac{3}{4}$ "	$\frac{3}{4}$ "**
	BEARING (FAR)	$3\frac{1}{2}$ "	$2\frac{1}{4}$ "	1"

** USE SLAB BOLSTER

BILL OF MATERIAL

CONCRETE WEARING SURFACE

BAR	NO.	SIZE	TYPE	LENGTH	WEIGHT
* R1	540	#3	STR	20'-2"	4094
* R2	340	#3	STR	28'-3"	3611
* R3	134	#4	STR	20'-0"	1790

* EPOXY COATED REINFORCING STEEL 9,495 LBS

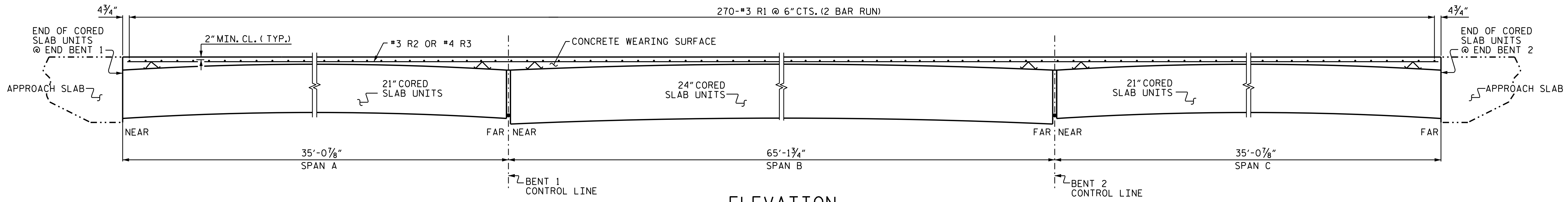
CONCRETE WEARING SURFACE 4,577 SQ. FT.

SPLICE LENGTH CHART

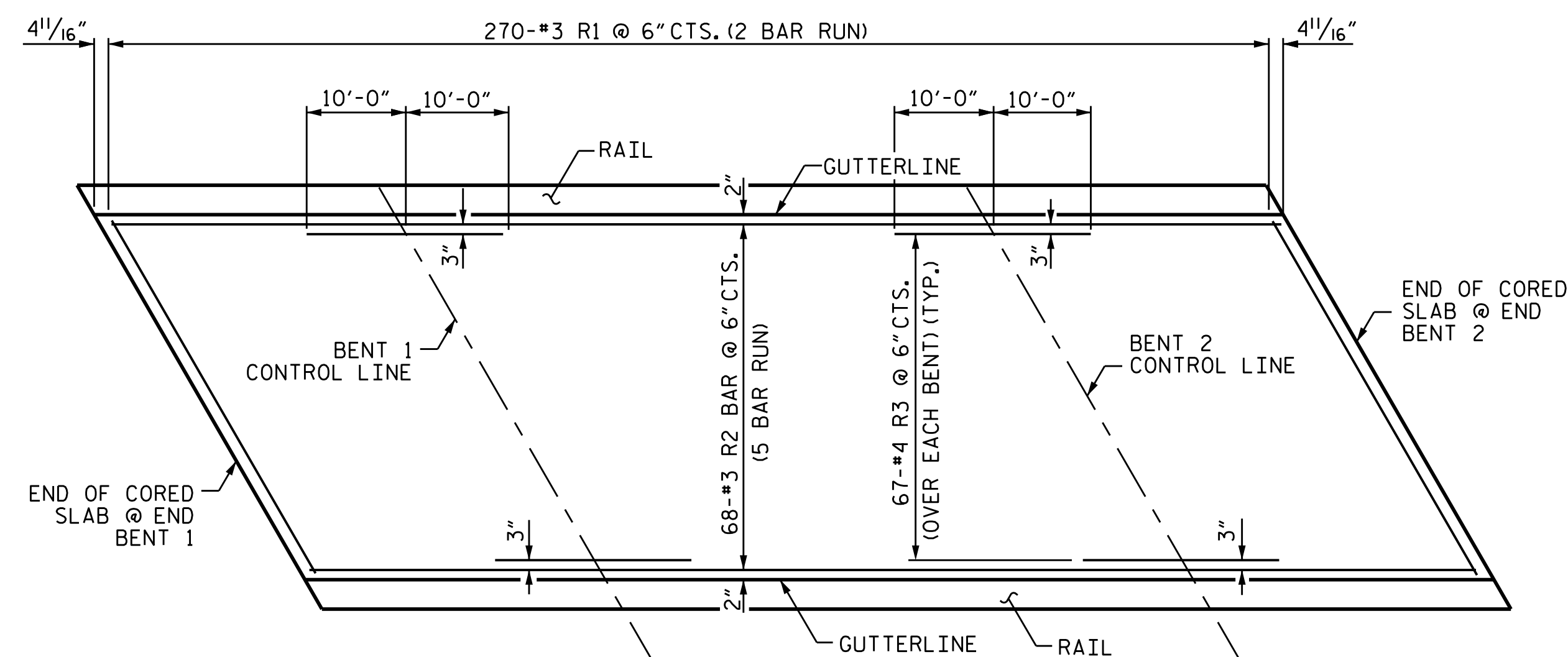
BAR SIZE	EPOXY COATED
#3	1'-6"

GROOVING BRIDGE FLOORS

APPROACH SLABS	689 SQ. FT.
BRIDGE DECK	4,151 SQ. FT.
TOTAL	4,840 SQ. FT.

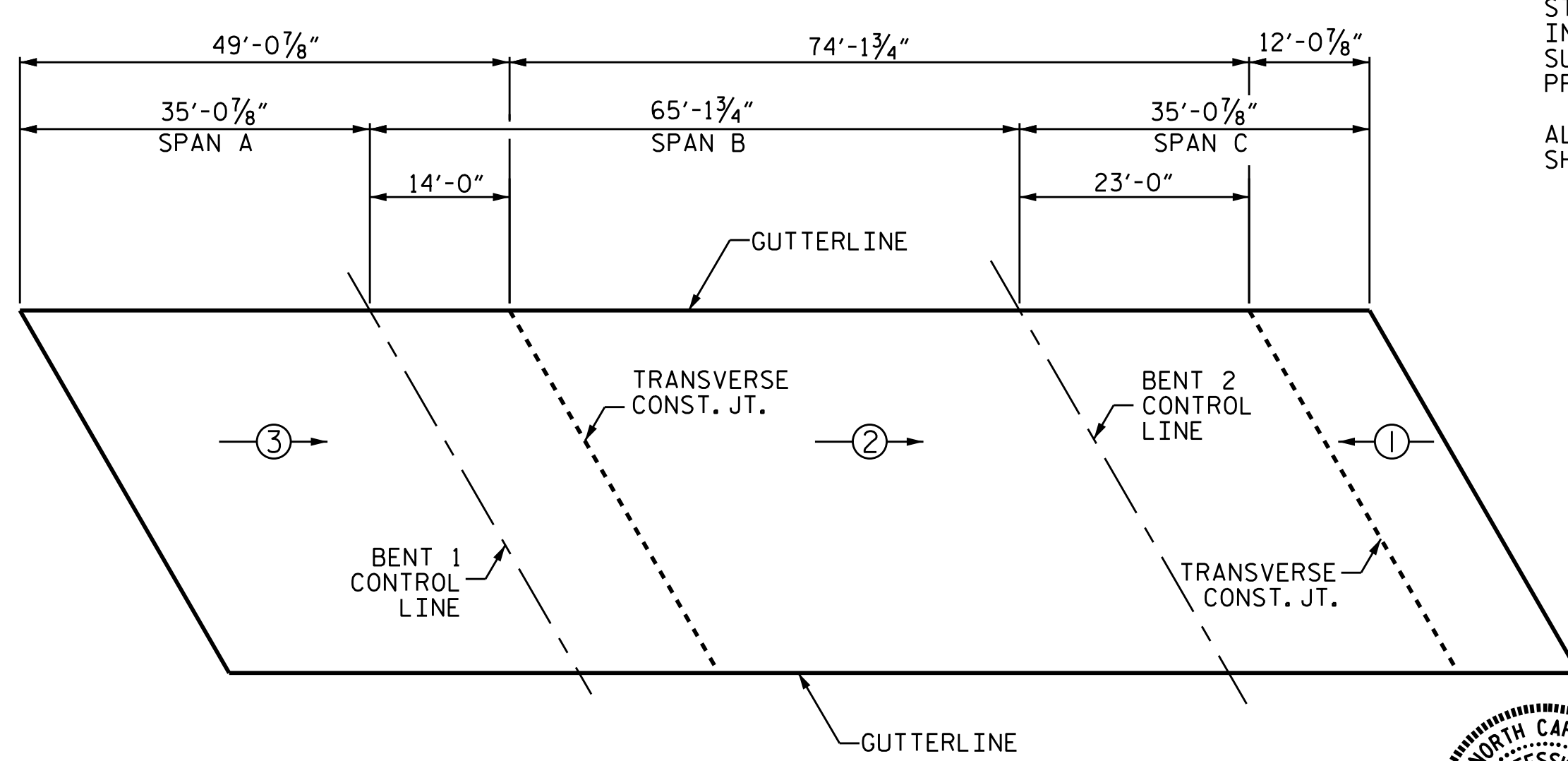


ELEVATION



PLAN

SHOWING CONTINUOUS CONCRETE OVERLAY OVER INTERIOR BENTS



OPTIONAL POURING SEQUENCE

① = INDICATES POUR NUMBER AND DIRECTION OF POUR

NOTES:

PLACEMENT OF THE CONCRETE WEARING SURFACE SHALL OCCUR AFTER CASTING THE RAILS. THE COST OF THE REINFORCING STEEL CAST WITH THE CONCRETE WEARING SURFACE SHALL BE INCLUDED IN THE UNIT PRICE BID FOR CONCRETE WEARING SURFACE. FOR CONCRETE WEARING SURFACE, SEE SPECIAL PROVISIONS.

ALL REINFORCING STEEL FOR THE CONCRETE WEARING SURFACE SHALL BE EPOXY COATED.



DocuSigned by:
Ting Fang
E72088400977435... 4/12/2016

PROJECT NO. B-4461
CHATHAM COUNTY
STATION: 19+12.00 -L-

STATE OF NORTH CAROLINA
DEPARTMENT OF TRANSPORTATION
RALEIGH
SUPERSTRUCTURE
CONCRETE WEARING SURFACE DETAILS

ASSEMBLED BY : T. H. FANG	DATE : 9/14/15
CHECKED BY : W. PARKER	DATE : 9/18/15
DRAWN BY : WJH 4/89	REV. 10/1/11 MAA/GM
CHECKED BY : FCJ 5/89	REV. 10/12 MAA/GM
	REV. 6/13 MAA/GM

DOCUMENT NOT CONSIDERED FINAL UNLESS ALL SIGNATURES COMPLETED

REVISIONS						SHEET NO. S-12
NO.	BY:	DATE:	NO.	BY:	DATE:	
1			3			TOTAL SHEETS 23
2			4			