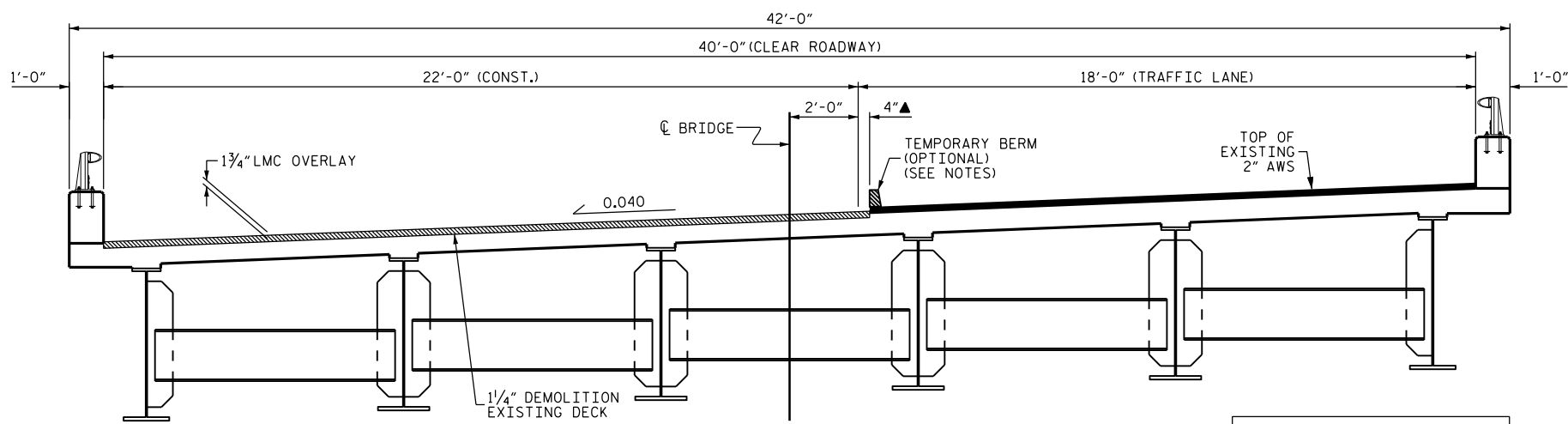
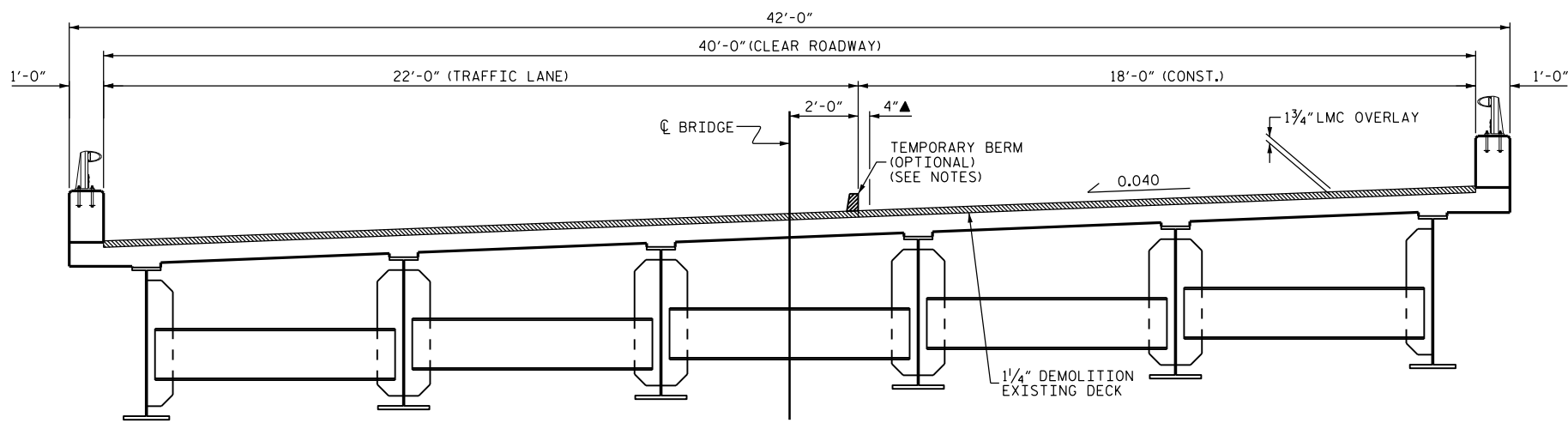


**TYPICAL SECTION**  
(EXISTING)



**TYPICAL SECTION**  
(RIGHT LANE LMC WORK)

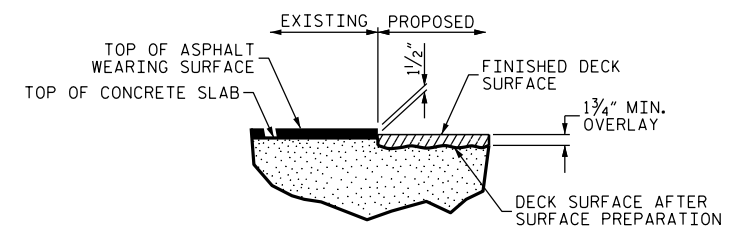
▲ 4" OVERLAP BETWEEN OVERLAYS  
PREVIOUSLY POURED LMC  
TO BE HYDRO-DEMOLITIONED  
& RECAST WITH LMC



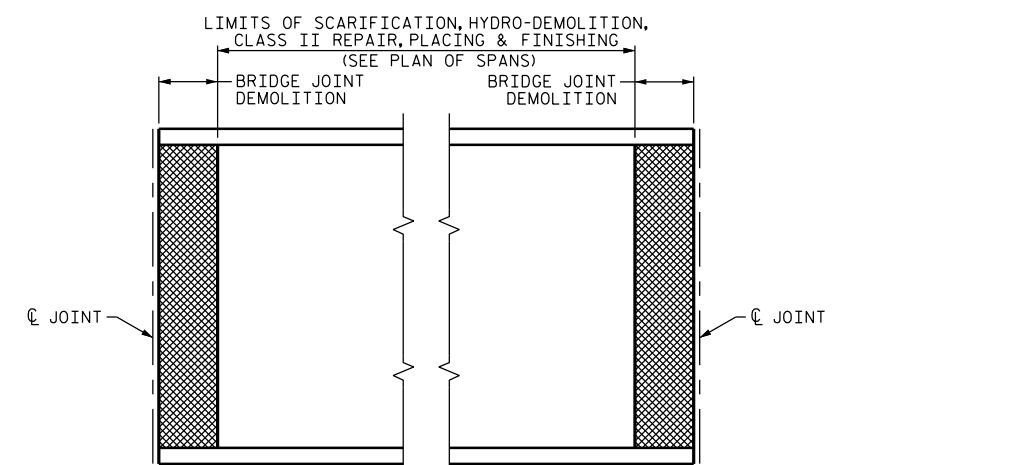
**TYPICAL SECTION**  
(LEFT LANE LMC WORK)

**NOTES**

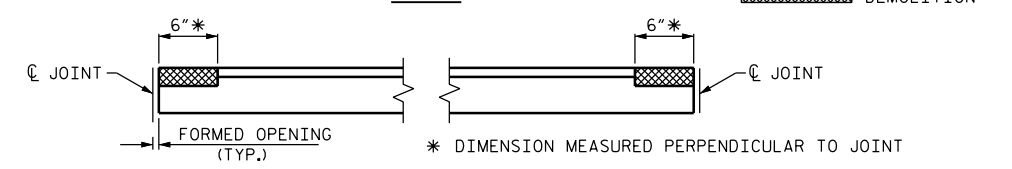
THE WORK STAGING ON THIS PLAN SHEET INDICATES THAT THE RIGHT LANE LMC WORK IS PERFORMED FIRST, FOLLOWED BY THE LEFT LANE LMC WORK. THE CONTRACTOR MAY ELECT TO SEQUENCE THE WORK DIFFERENTLY, BUT THE DIMENSIONS OF THE WORK ZONE AND CLEAR ROADWAY AREAS SHALL MATCH THAT INDICATED ON THIS PLAN SHEET, RESPECTIVE TO THE LANE WHERE THE LMC WORK IS BEING PERFORMED.



**DETAIL FOR LMC OVERLAY**



**PLAN**



**ELEVATION**

**PAY LIMITS FOR OVERLAY BID ITEMS**

PROJECT NO. I-5756  
HAYWOOD COUNTY  
BRIDGE NO: 230

DocuSigned by:  
*John A. Yannaccone*  
7BC36E9CE  
STATE OF NORTH CAROLINA  
PROFESSIONAL ENGINEER  
SEAL  
32492  
JOHN A. YANNACCONE

3/21/2016

STATE OF NORTH CAROLINA  
DEPARTMENT OF TRANSPORTATION  
RALEIGH  
**TYPICAL SECTION  
AND SURFACE  
PREPARATION DETAILS**

DRAWN BY : H. T. BARBOUR DATE : 10-26-15  
CHECKED BY : J. YANNACCONE DATE : 11-15

REVISIONS						SHEET NO.
NO.	BY:	DATE:	NO.	BY:	DATE:	S-85
1			3			TOTAL SHEETS
2			4			122