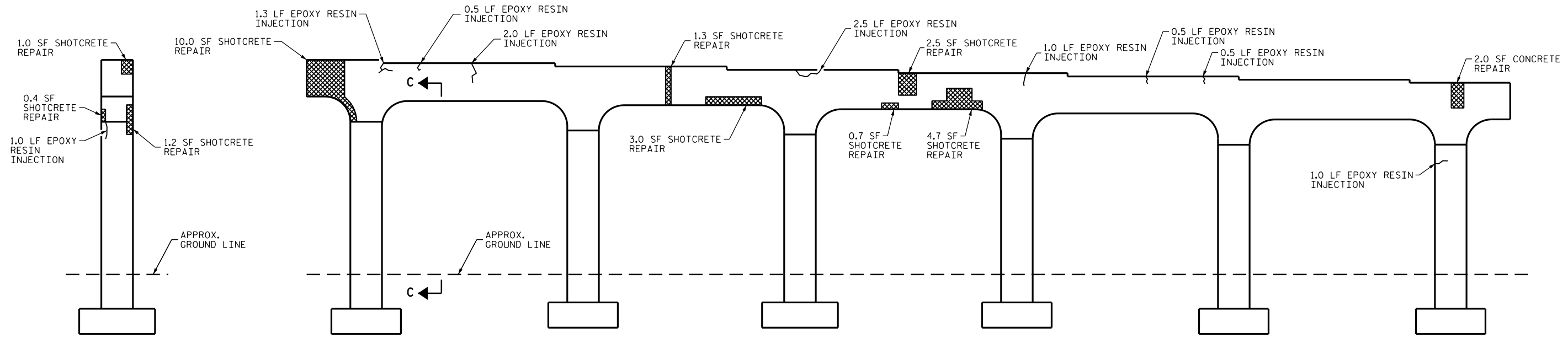


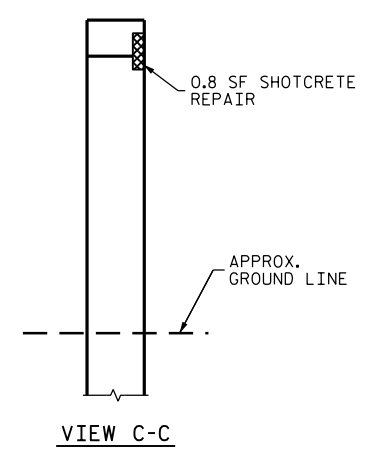
DAMAGED AREA

BOTTOM OF CAP



END VIEW
(SOUTH SIDE)

ELEVATION

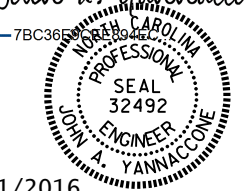


VIEW C-C

PROJECT NO. I-5756
HAYWOOD COUNTY
 BRIDGE NO. 183

SHEET 4 OF 6

DocuSigned by:
John A. Yannaccone
 7BC365...



3/21/2016

STATE OF NORTH CAROLINA
 DEPARTMENT OF TRANSPORTATION
 RALEIGH

BENT 2
SPAN C FACE

DRAWN BY : R. BRANNON DATE : 11/15
 CHECKED BY : J. YANNACCONE DATE : 12/15

DOCUMENT NOT CONSIDERED
 FINAL UNLESS ALL
 SIGNATURES COMPLETED

REVISIONS						SHEET NO.
NO.	BY:	DATE:	NO.	BY:	DATE:	TOTAL SHEETS
1			3			S-13
2			4			122

21-MAR-2016 13:14
 R:\Structures\Final Drawings\430183\183_5D_B*.dgn
 Jayannaccone