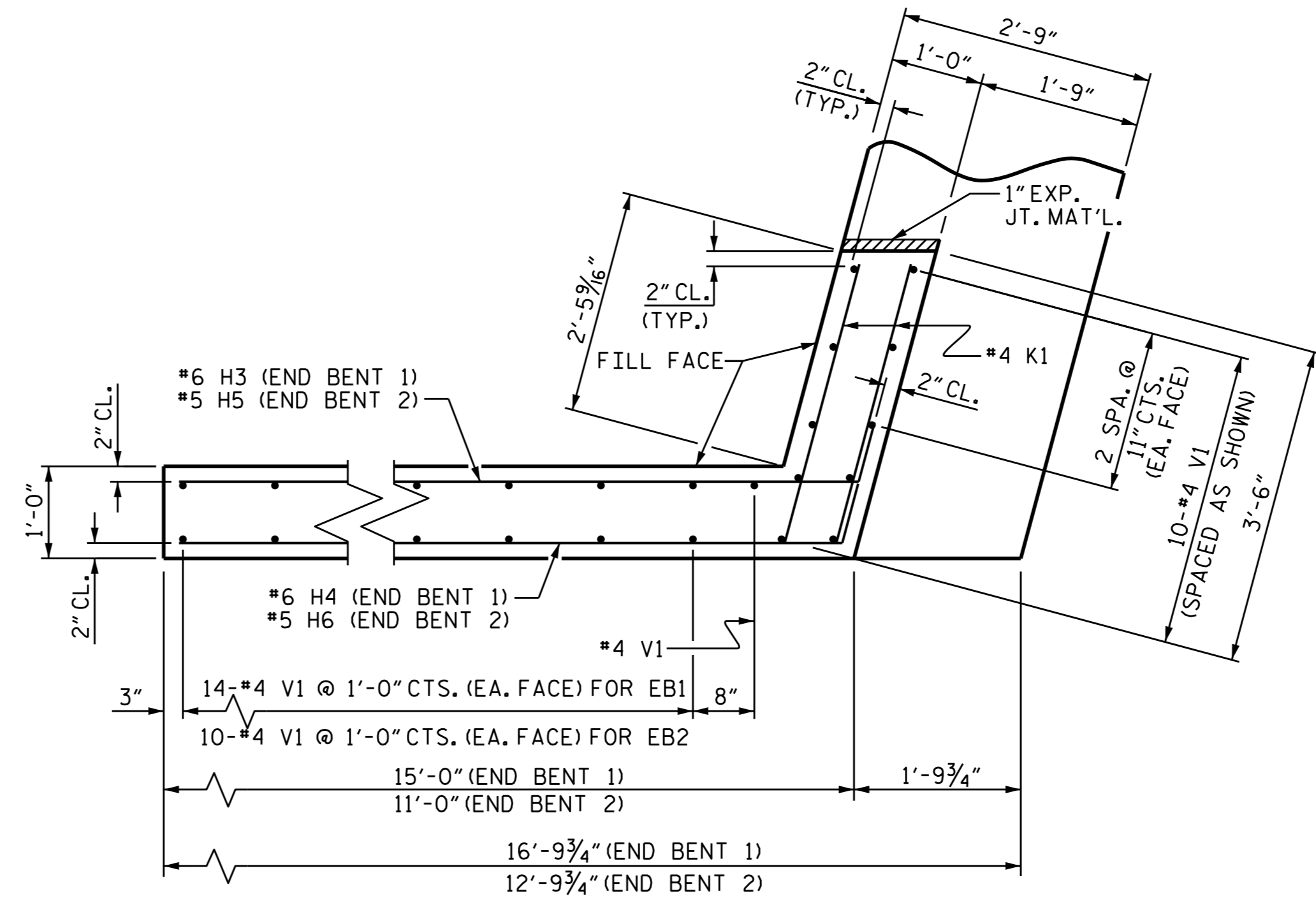
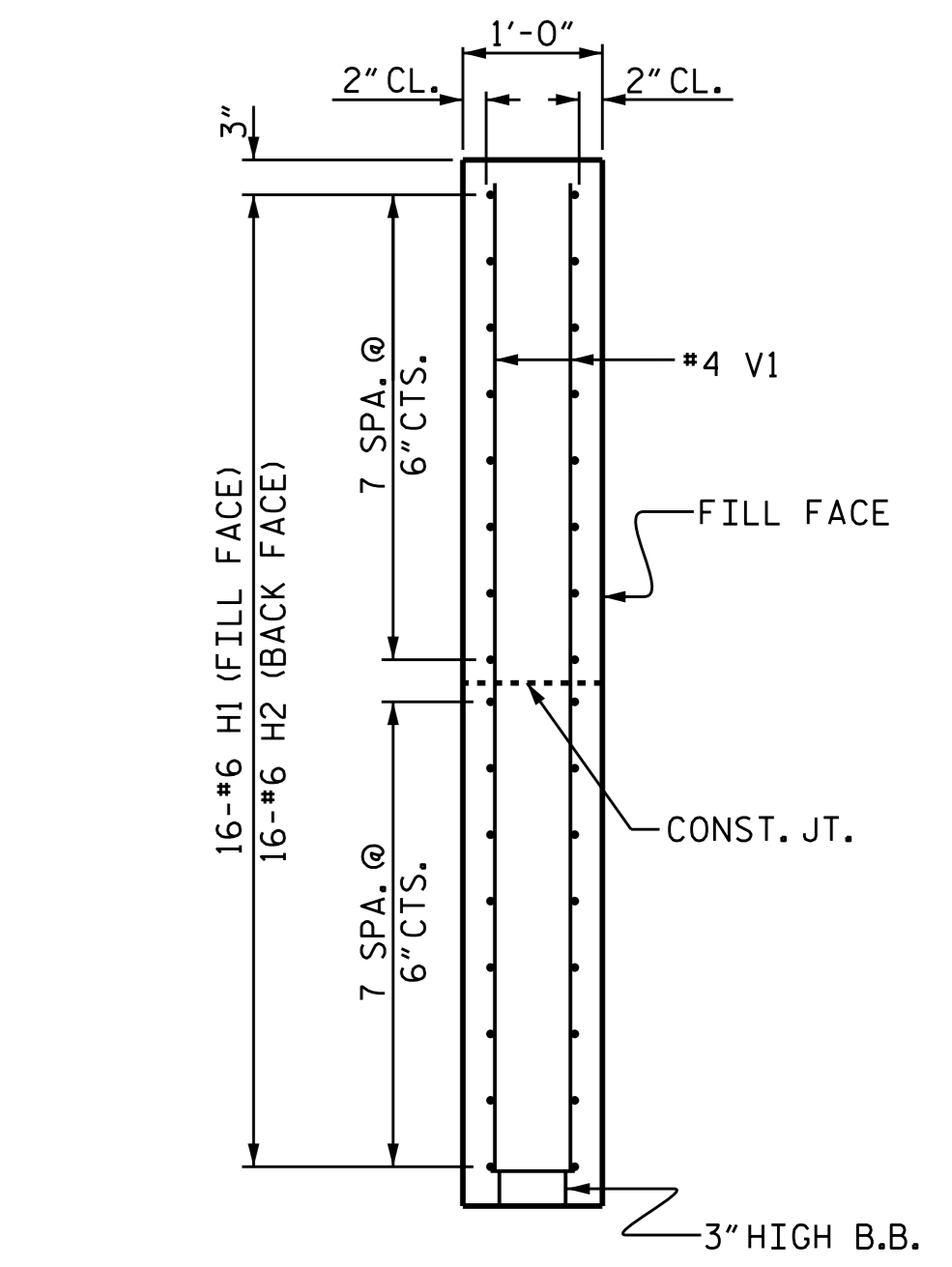


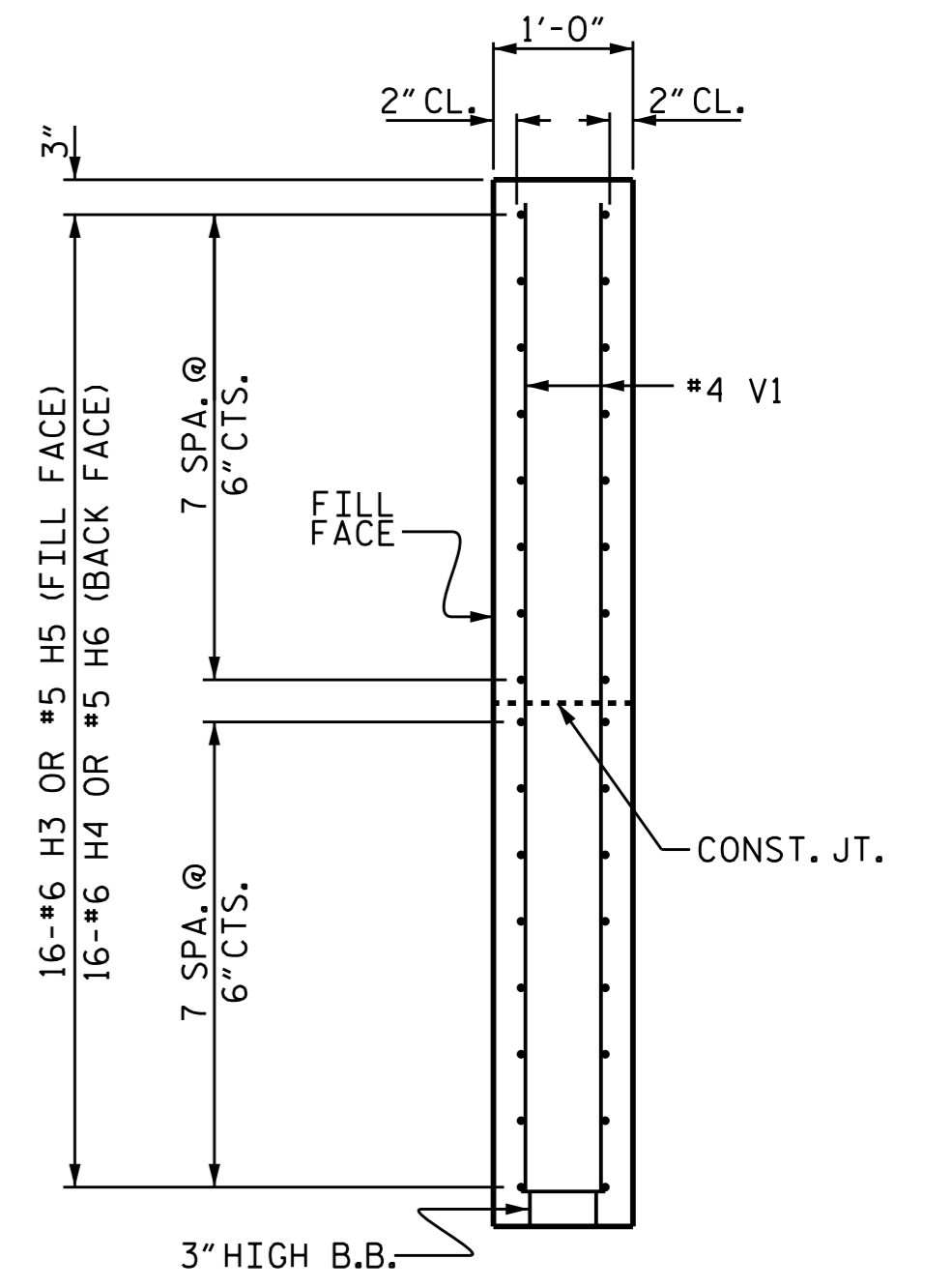
PLAN OF WING (W1)



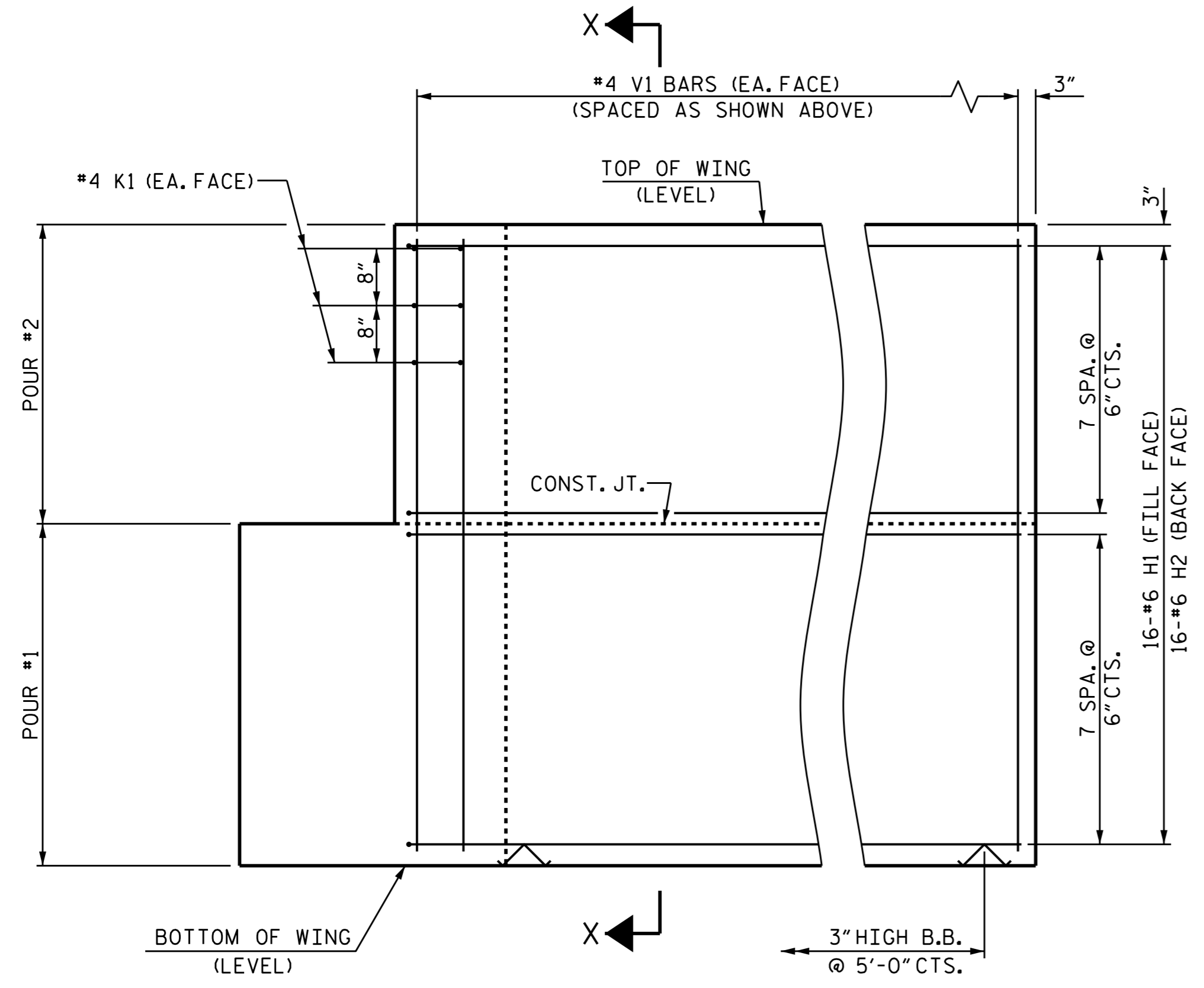
PLAN OF WING (W2)



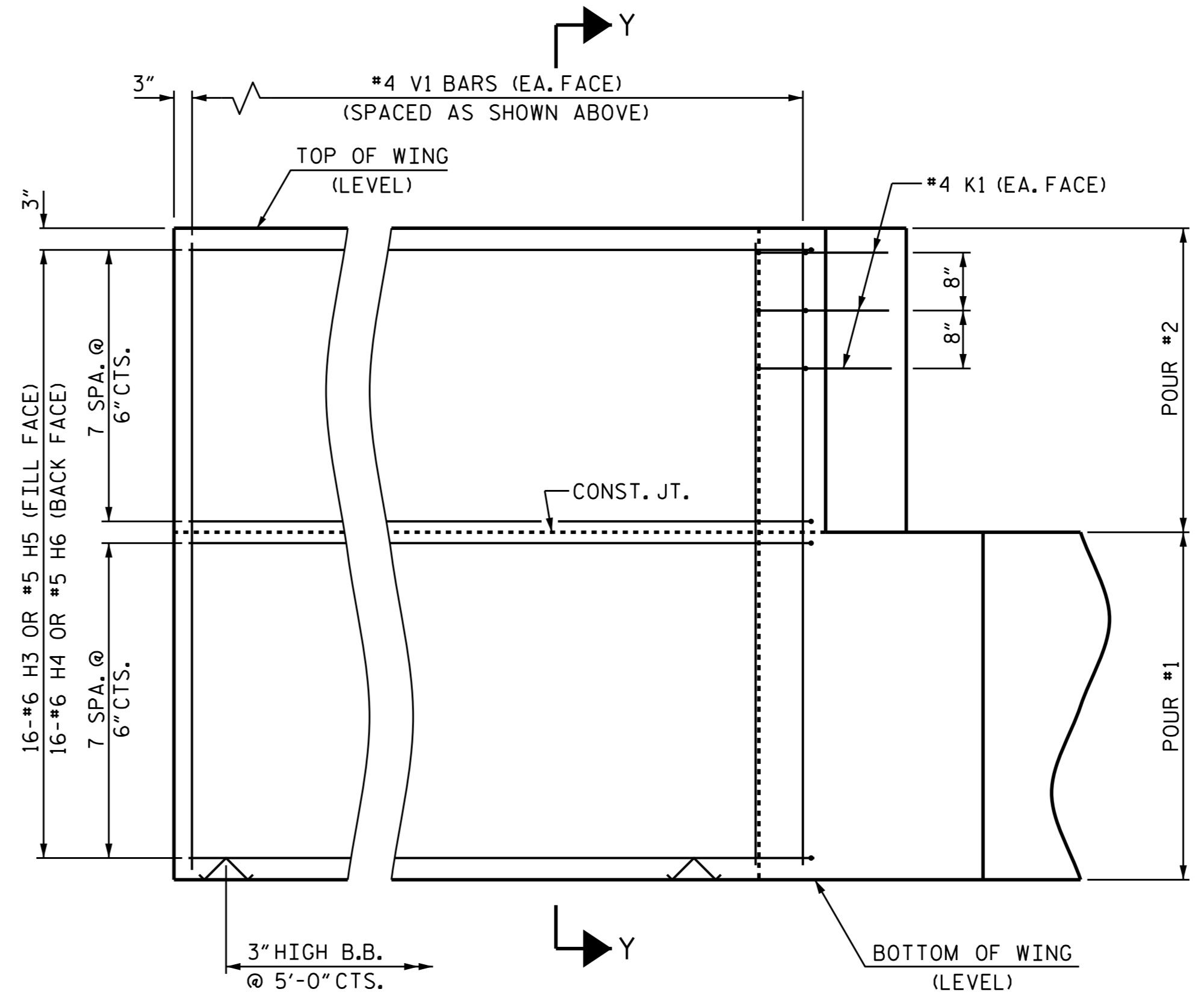
SECTION X-X



SECTION Y-Y



ELEVATION OF WING (W1)



ELEVATION OF WING (W2)

WING DETAILS

#6 H3 & H4 FOR END BENT 1
#5 H5 & H6 FOR END BENT 2

PROJECT NO. B-5344
GUILFORD COUNTY
STATION: 17+21.00 -L-

SHEET 3 OF 4



STATE OF NORTH CAROLINA
DEPARTMENT OF TRANSPORTATION
RALEIGH
SUBSTRUCTURE
END BENT
WING DETAILS

ASSEMBLED BY : H. B. DESAI	DATE : 05-20-15
CHECKED BY : D. J. POZOS	DATE : 08-03-15
DRAWN BY : WJH 12/11	REV. 4/15
CHECKED BY : AAC 12/11	MAA/TMG

NO.	BY:	DATE:	NO.	BY:	DATE:
1			3		
2			4		

REVISIONS						SHEET NO.
						S-13
DOCUMENT NOT CONSIDERED FINAL UNLESS ALL SIGNATURES COMPLETED						TOTAL SHEETS
						16