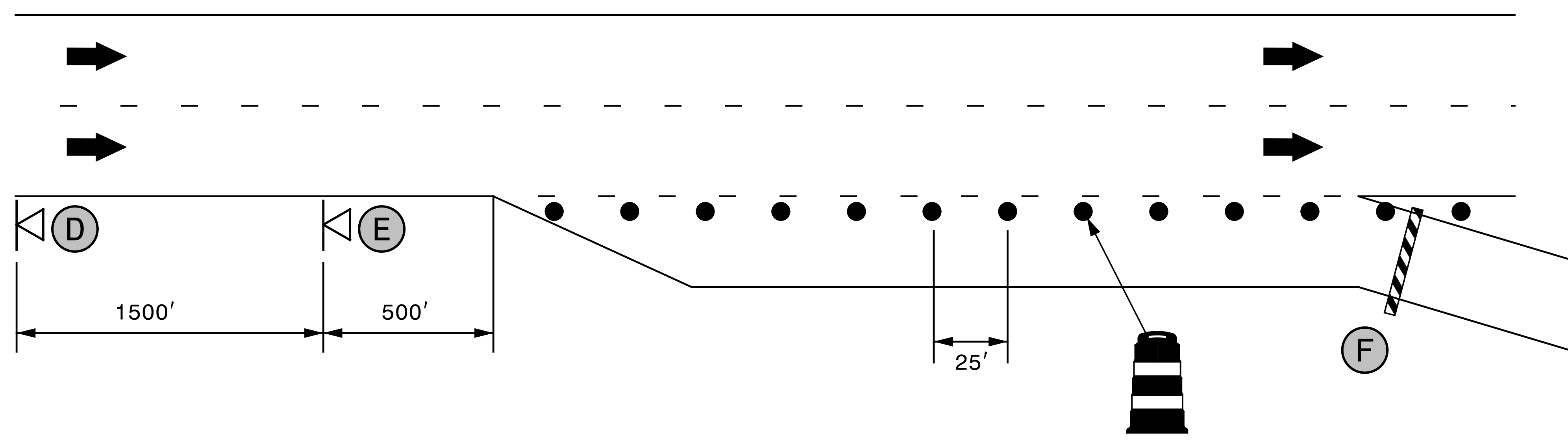
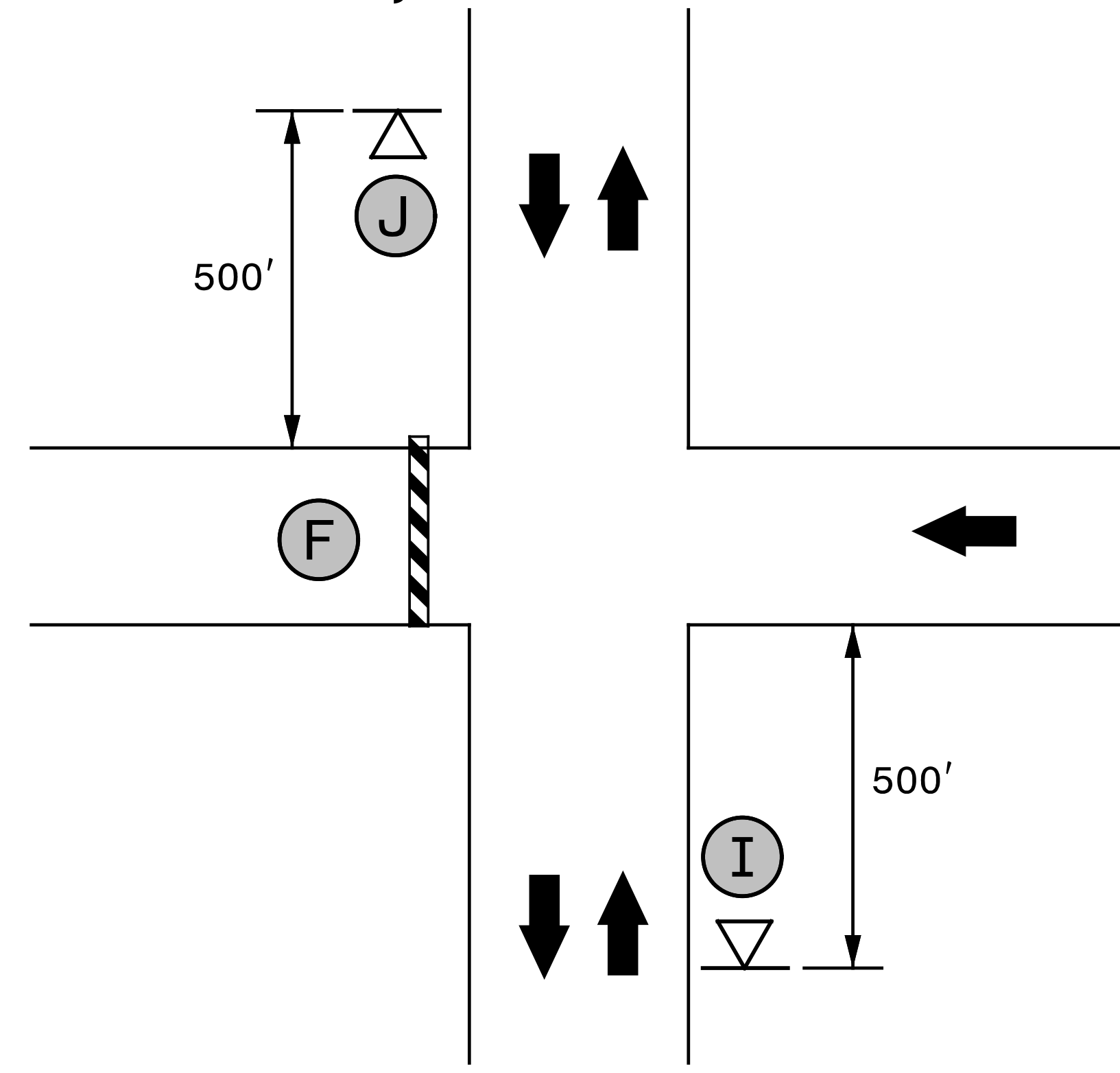


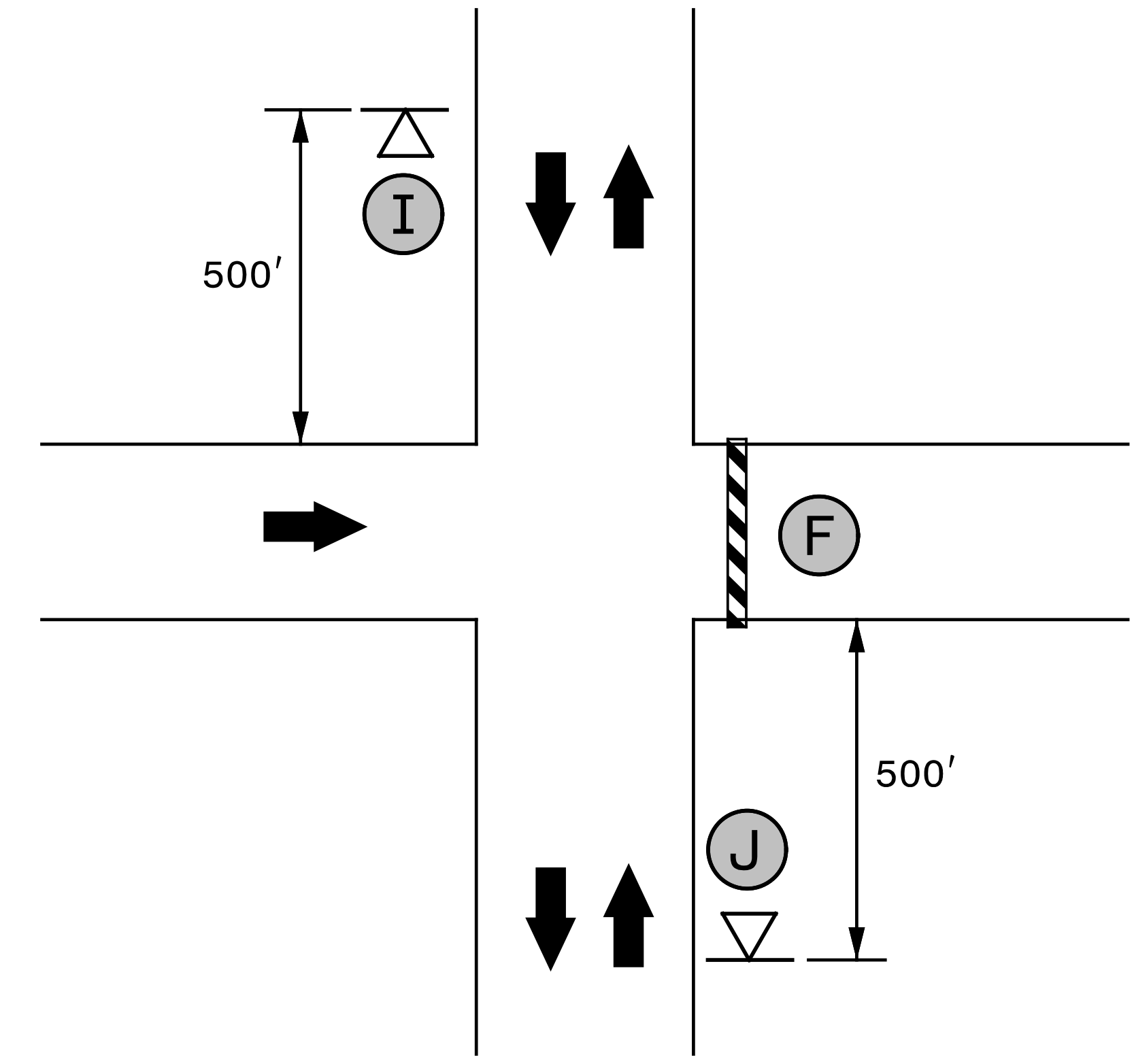
# RAMP A, RAMP C CLOSURE



## RAMP B, LOOP C CLOSURE



## RAMP D CLOSURE



NOTE: SEE TMP-2B FOR SIGN LEGEND

2/4/2016  
G:\Transportation\TR13.017.00 NCDOT 2012 Traffic LSA\TR13.017.17 (I-5731)\TMP\I-5731 TMP-3.dgn  
wfiles

**SEPI**  
ENGINEERING & CONSTRUCTION

1025 Wade Avenue  
Raleigh, NC 27605  
Tel: 919-789-9977  
Fax: 919-789-9591  
License: C-2197

APPROVED: *Steve Miller*  
DATE: 2/29/2016

SEAL

DOCUMENT NOT CONSIDERED FINAL  
UNLESS ALL SIGNATURES COMPLETED

DIVISION OF HIGHWAYS  
STATE OF NORTH CAROLINA  
DEPARTMENT OF TRANSPORTATION  
WORK ZONE TRAFFIC CONTROL

RAMP  
CLOSURE  
TYPICAL