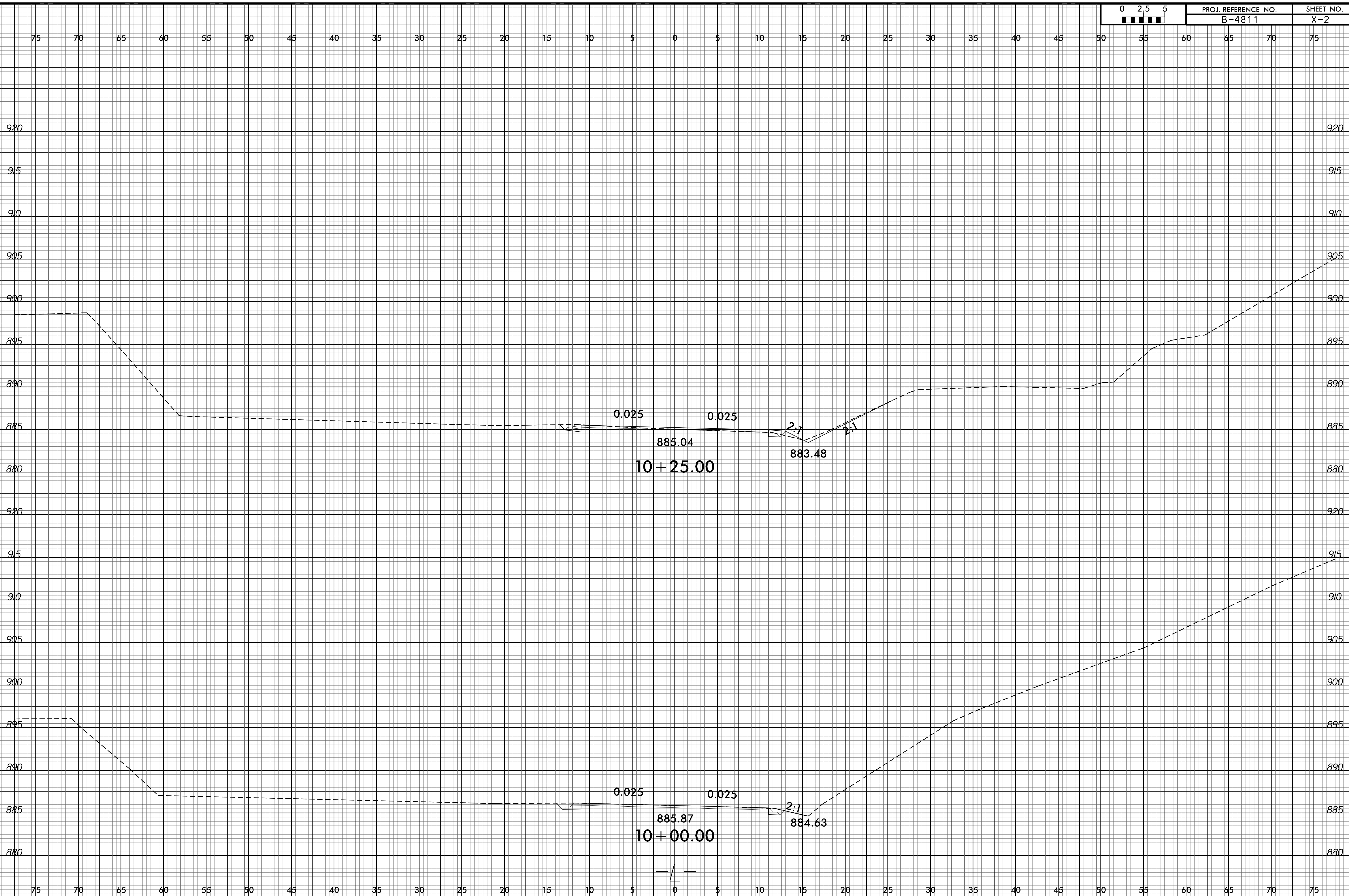
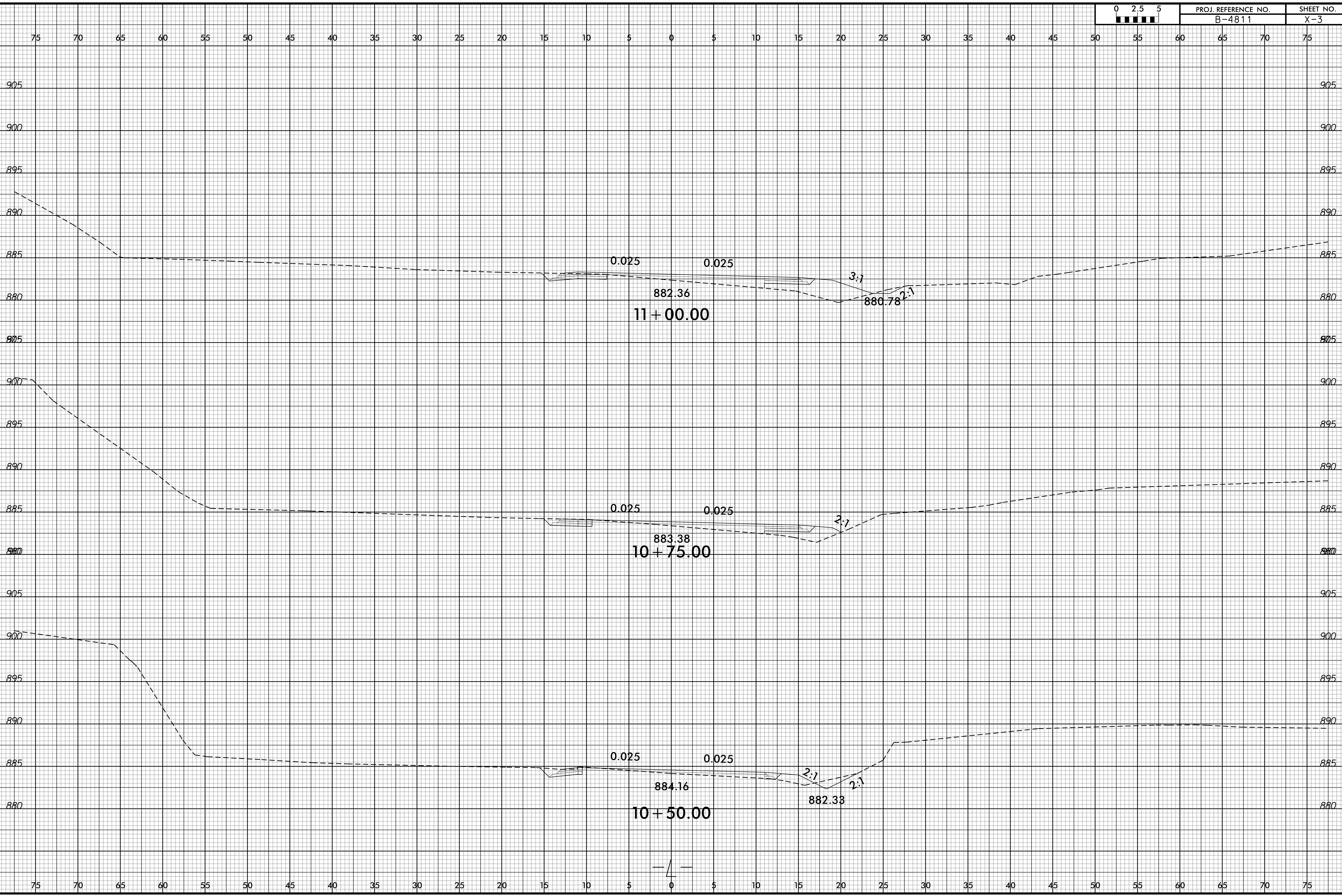


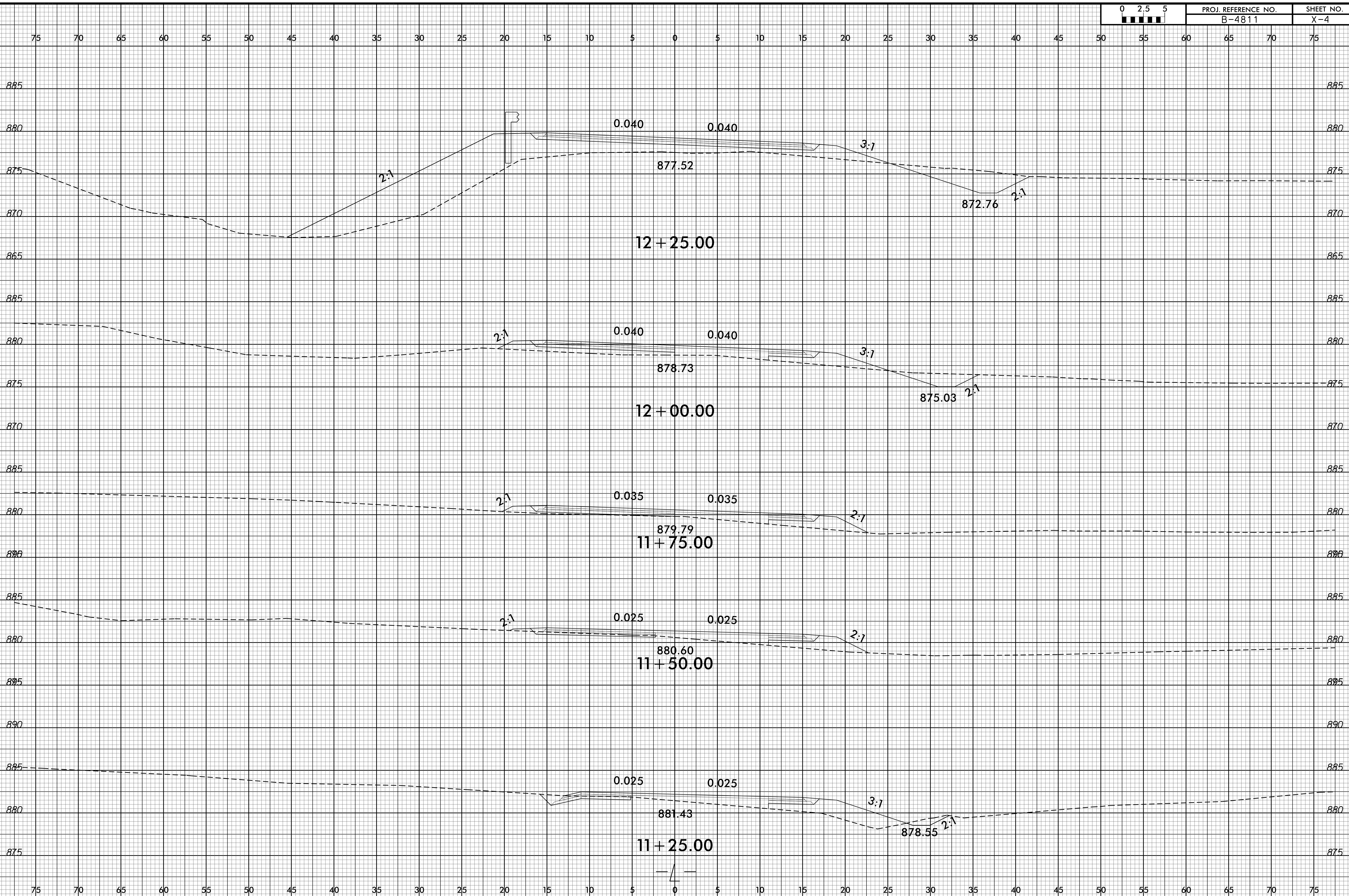
**This electronic collection of documents is provided
for the convenience of the user
and is Not a Certified Document –**

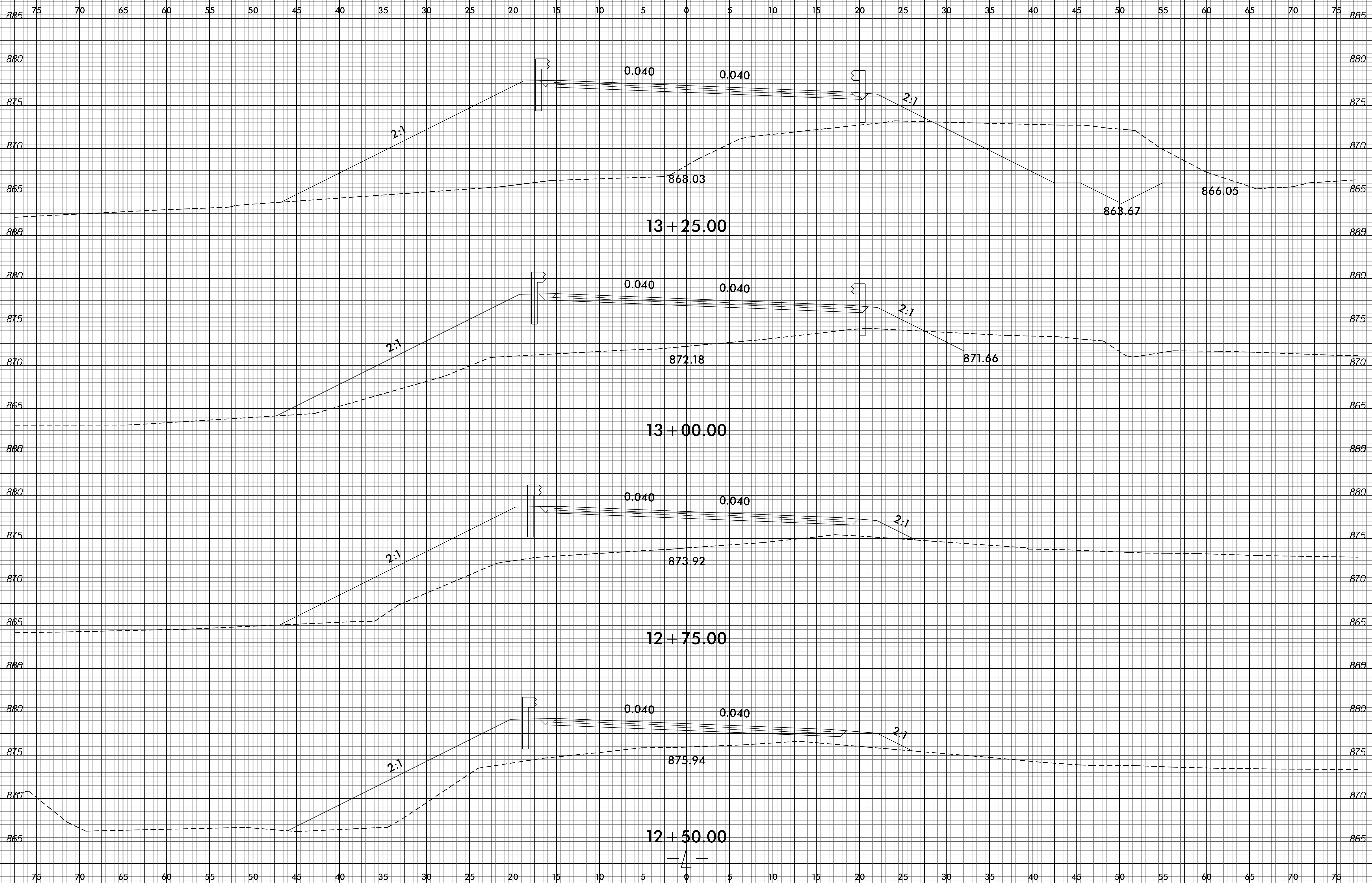
**The documents contained herein were originally issued
and sealed by the individuals whose names and license
numbers appear on each page, on the dates appearing
with their signature on that page.**

**This file or an individual page
shall not be considered a certified document.**

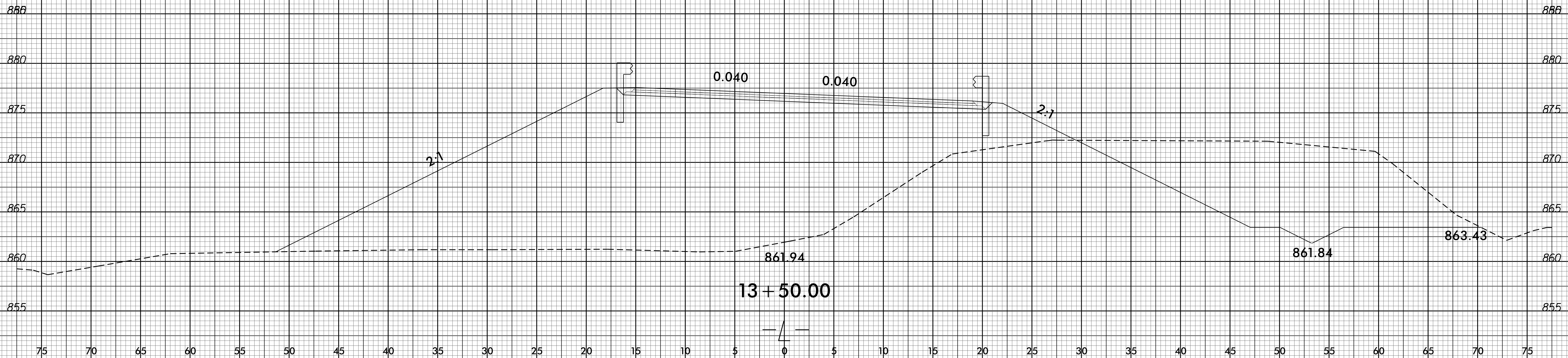
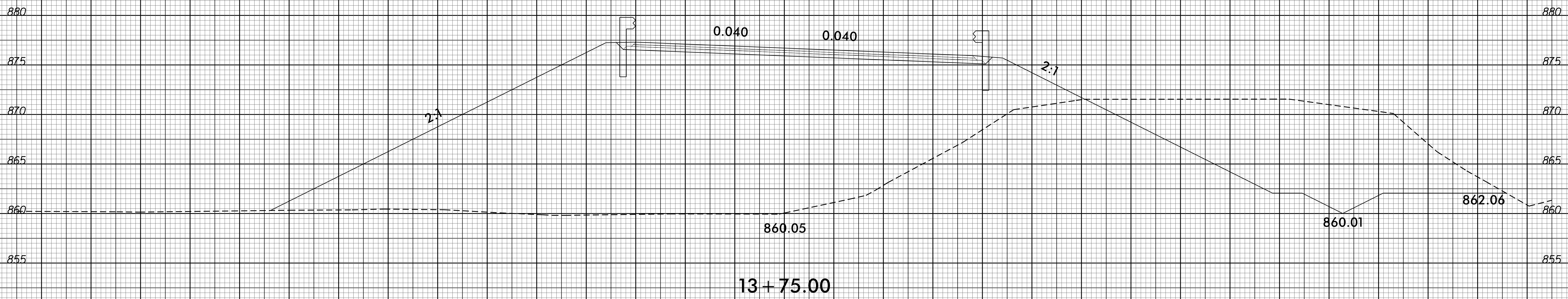




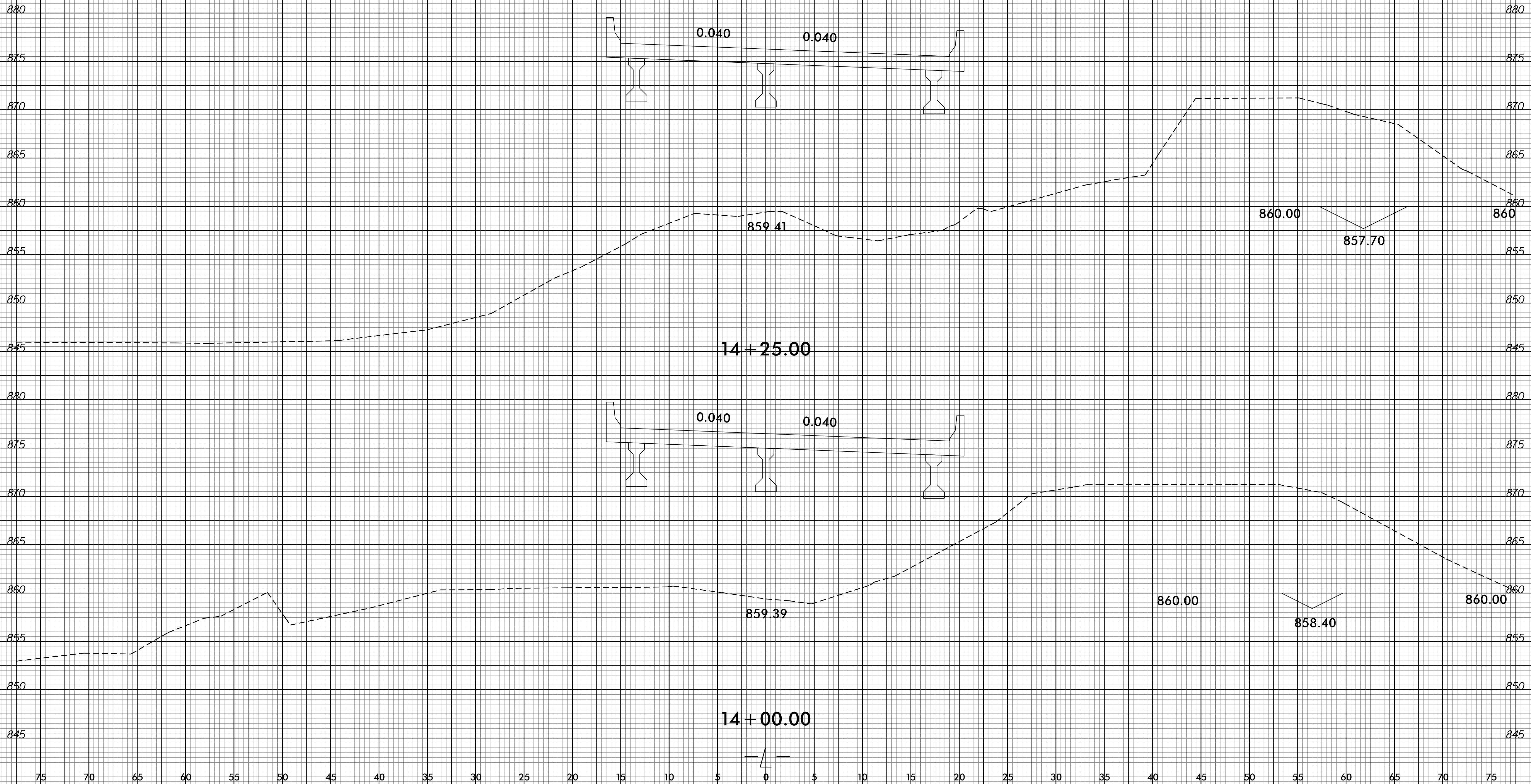




75 70 65 60 55 50 45 40 35 30 25 20 15 10 5 0 5 10 15 20 25 30 35 40 45 50 55 60 65 70 75



75 70 65 60 55 50 45 40 35 30 25 20 15 10 5 0 5 10 15 20 25 30 35 40 45 50 55 60 65 70 75

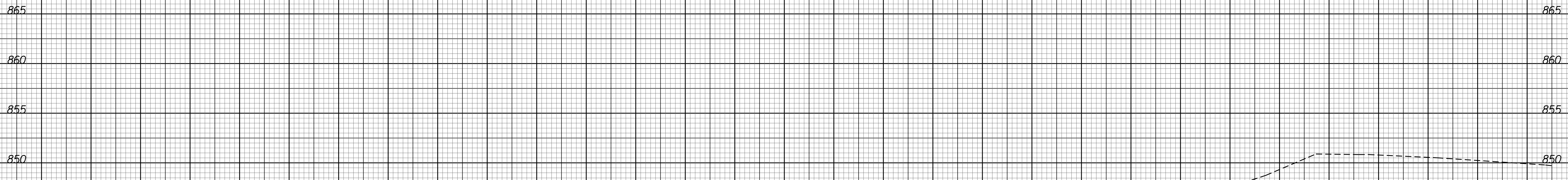
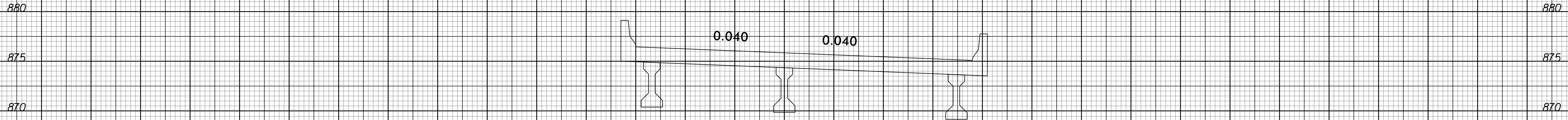




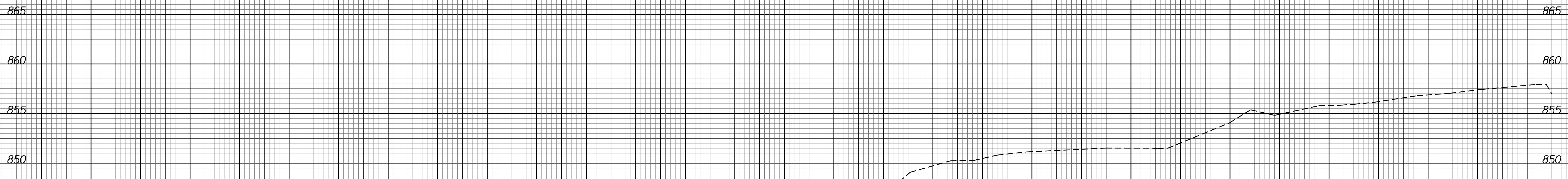
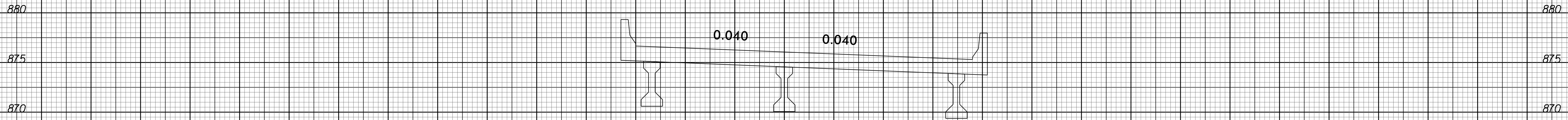
PROJ. REFERENCE NO.
B-4811

SHEET NO.
X-8

75 70 65 60 55 50 45 40 35 30 25 20 15 10 5 0 5 10 15 20 25 30 35 40 45 50 55 60 65 70 75

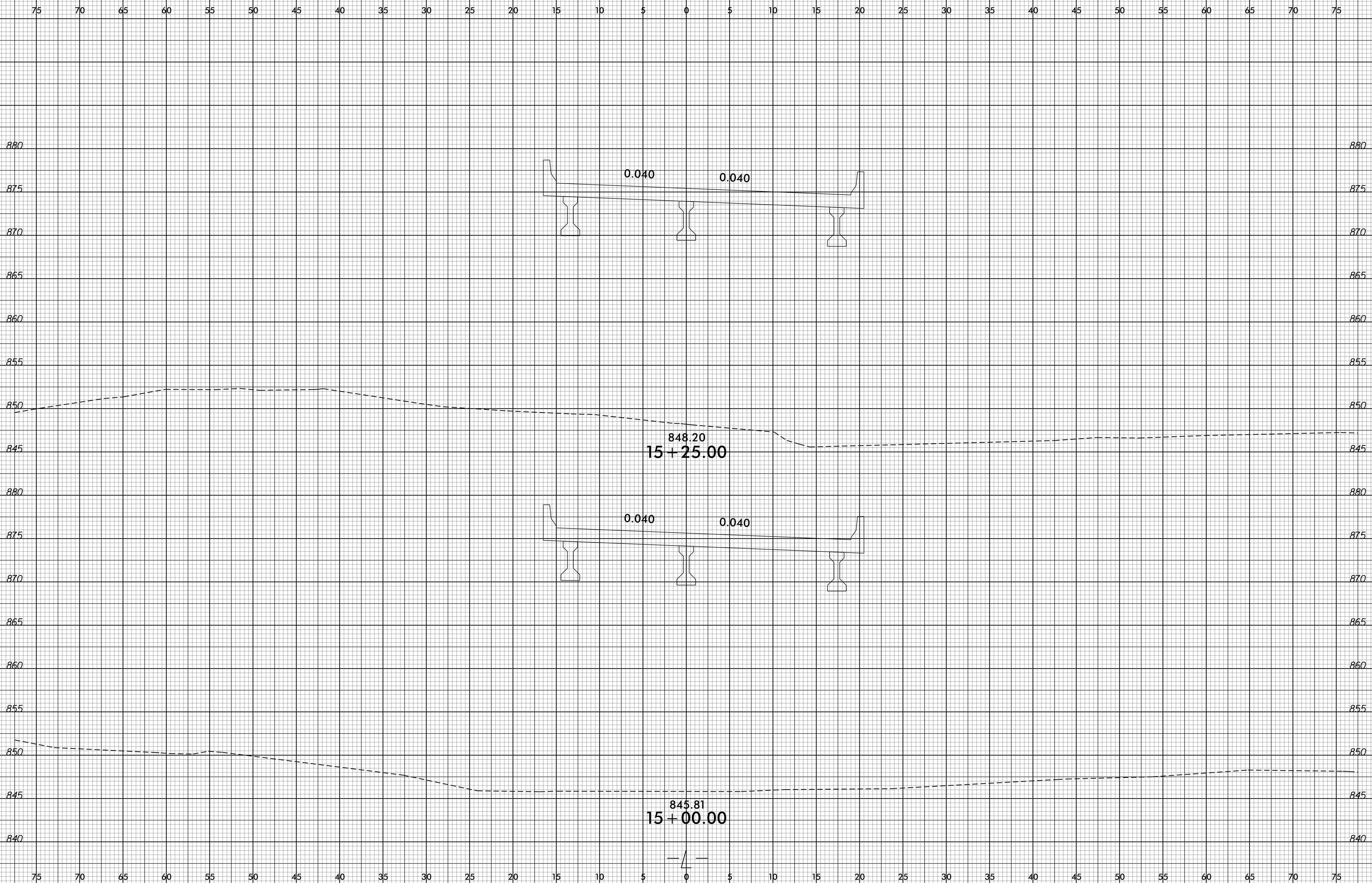


846.04
14 + 75.00



846.29
14 + 50.00

75 70 65 60 55 50 45 40 35 30 25 20 15 10 5 0 5 10 15 20 25 30 35 40 45 50 55 60 65 70 75





PROJ. REFERENCE NO.
B-4811

SHEET NO.
X-10

75 70 65 60 55 50 45 40 35 30 25 20 15 10 5 0 5 10 15 20 25 30 35 40 45 50 55 60 65 70 75

880 880

875 875

870 870

865 865

860 860

855 855

850 850

845 845

840 840

875 875

870 870

865 865

860 860

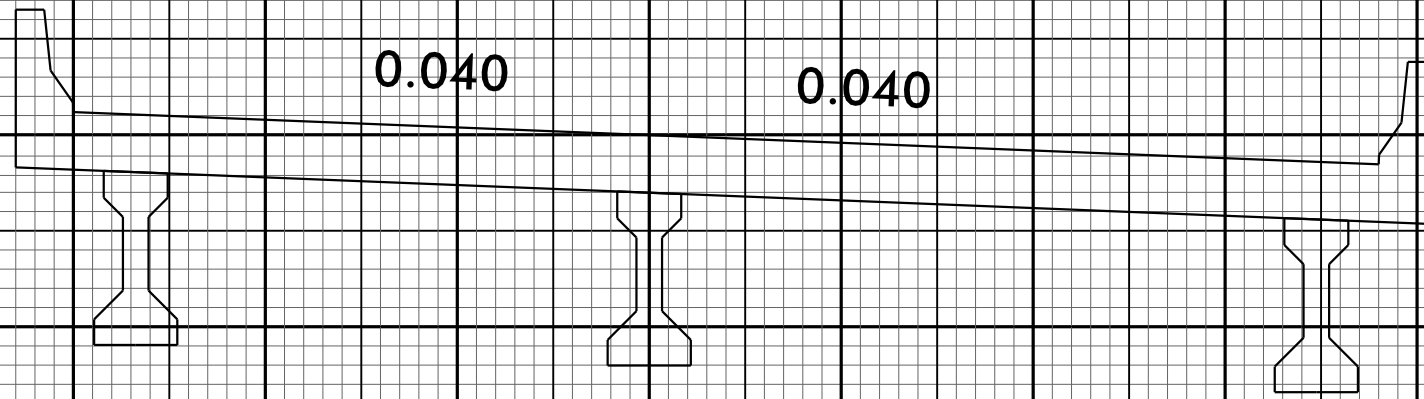
855 855

850 850

845 845

840 840

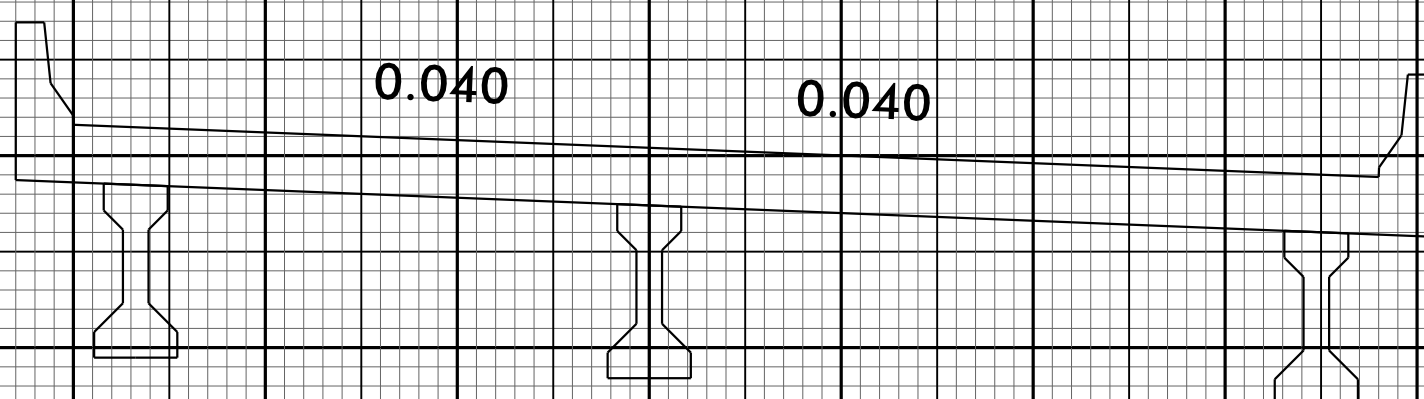
75 70 65 60 55 50 45 40 35 30 25 20 15 10 5 0 5 10 15 20 25 30 35 40 45 50 55 60 65 70 75



0.040

0.040

846.39
15 + 75.00

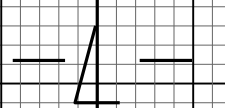


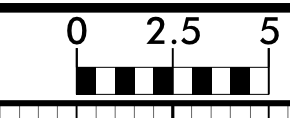
0.040

0.040

850.26

15 + 50.00





PROJ. REFERENCE NO.
B-4811

SHEET NO.
X-11

75 70 65 60 55 50 45 40 35 30 25 20 15 10 5 0 5 10 15 20 25 30 35 40 45 50 55 60 65 70 75

880 880

875 875

870 870

865 865

860 860

855 855

850 850

845 845

880 880

875 875

870 870

865 865

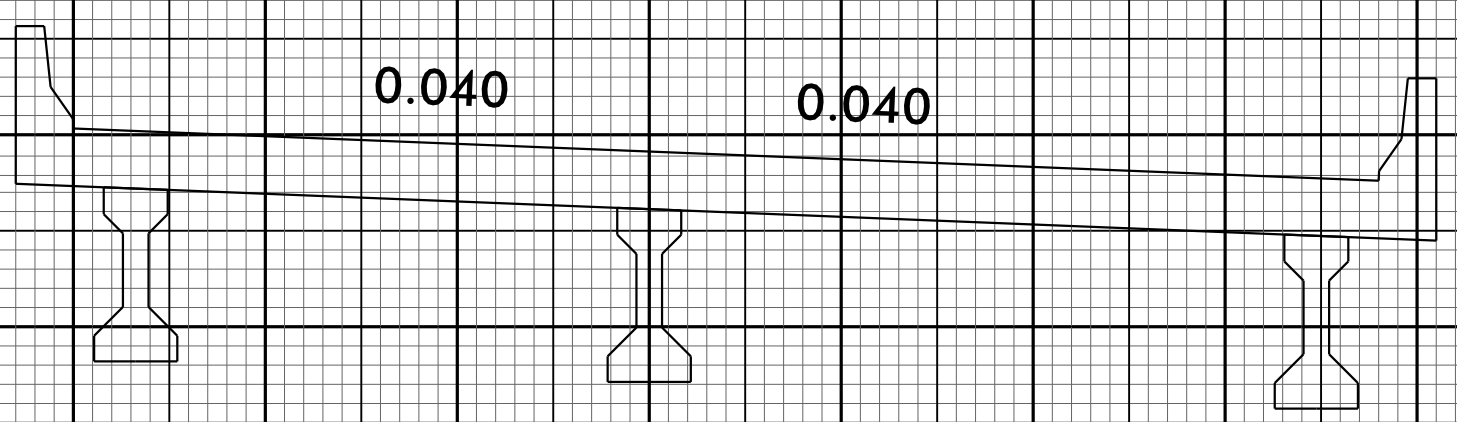
860 860

855 855

850 850

845 845

75 70 65 60 55 50 45 40 35 30 25 20 15 10 5 0 5 10 15 20 25 30 35 40 45 50 55 60 65 70 75

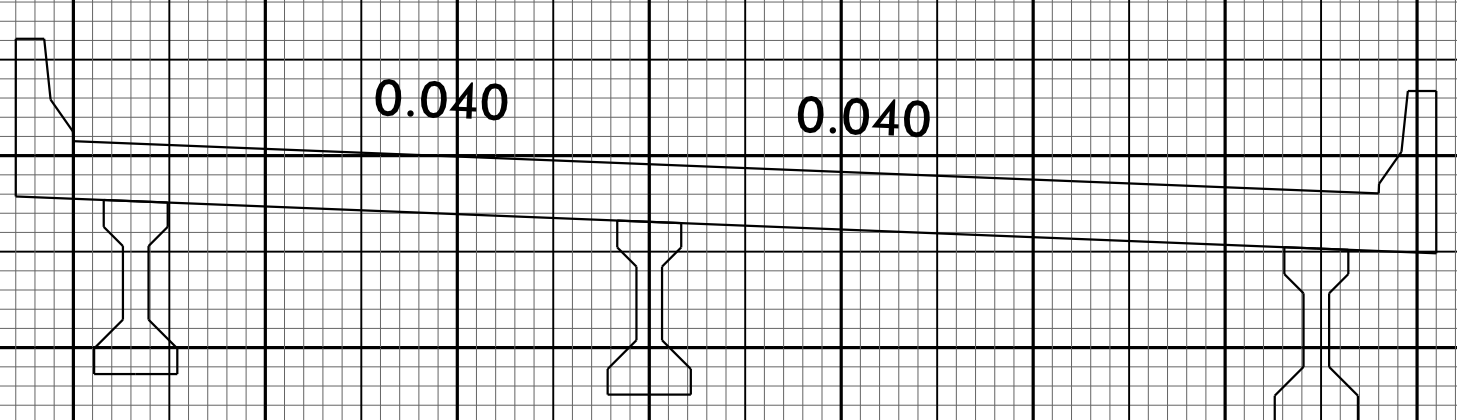


0.040

0.040

855.51

16 + 25.00

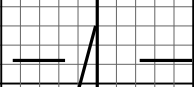


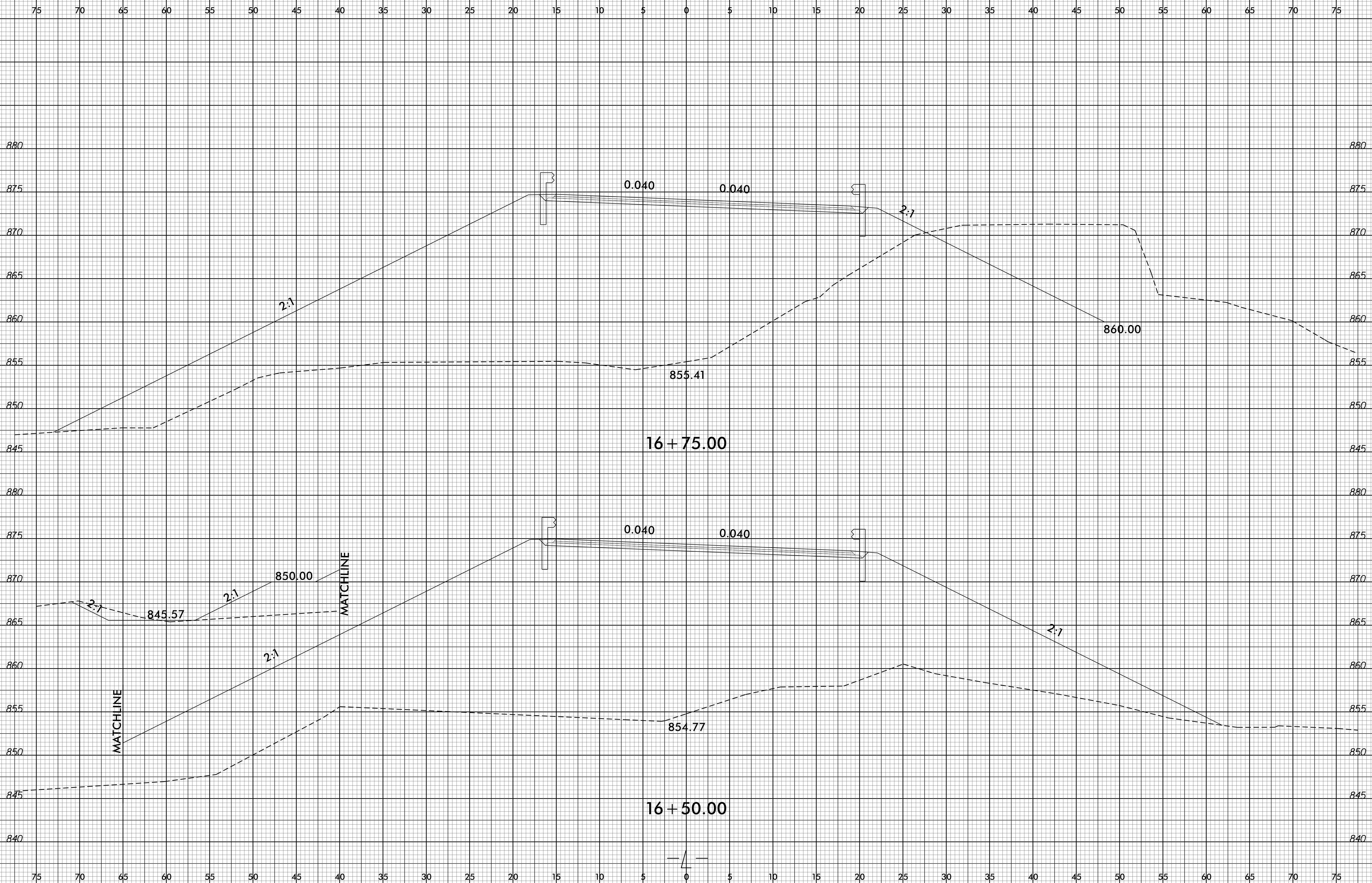
0.040

0.040

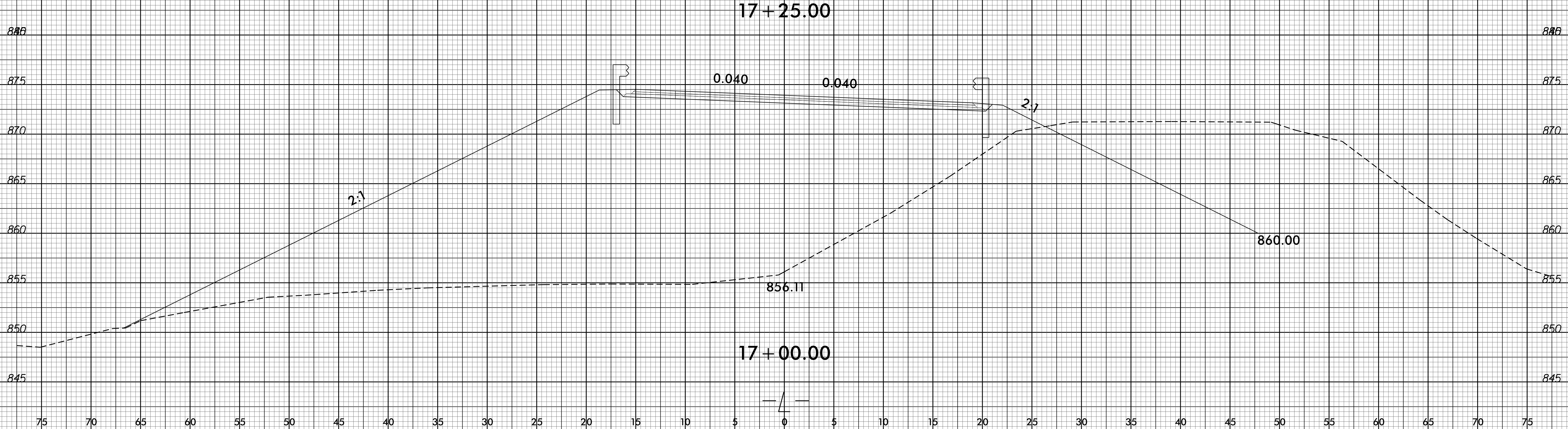
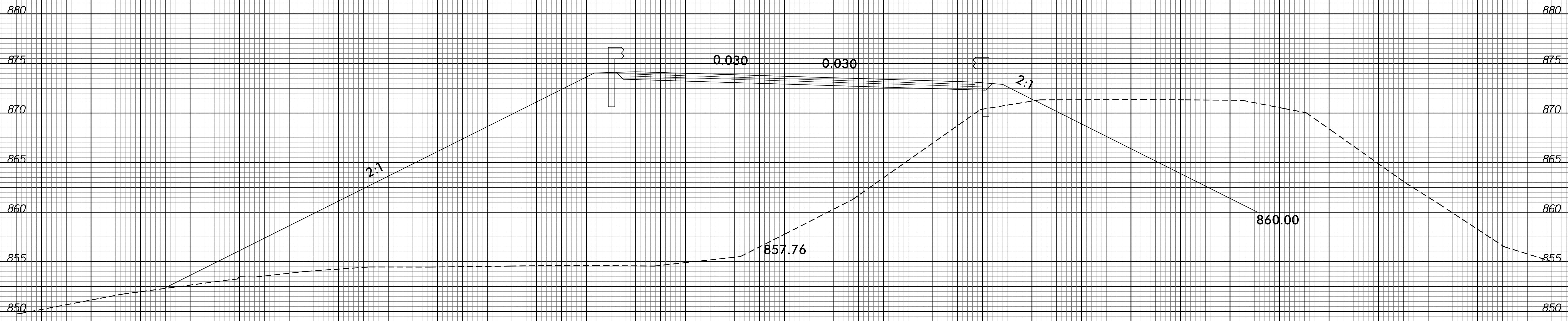
850.93

16 + 00.00

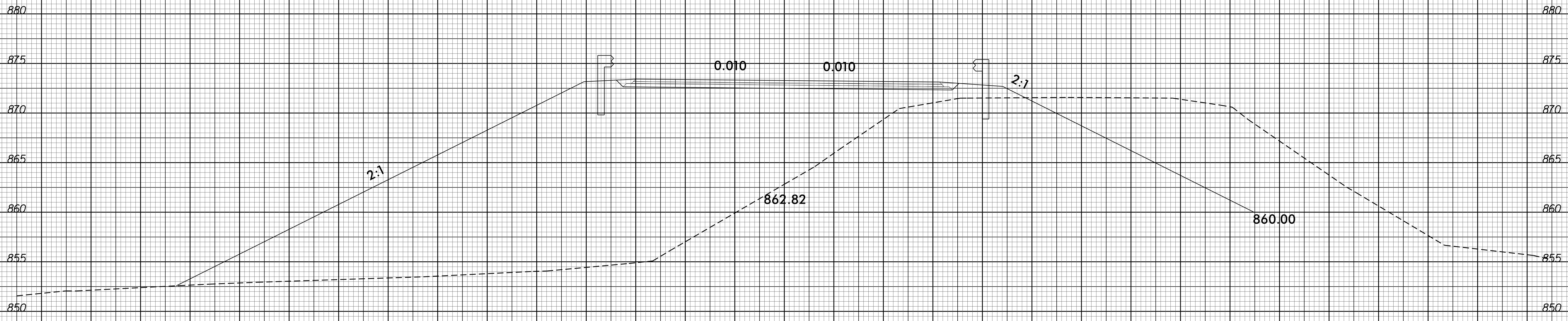




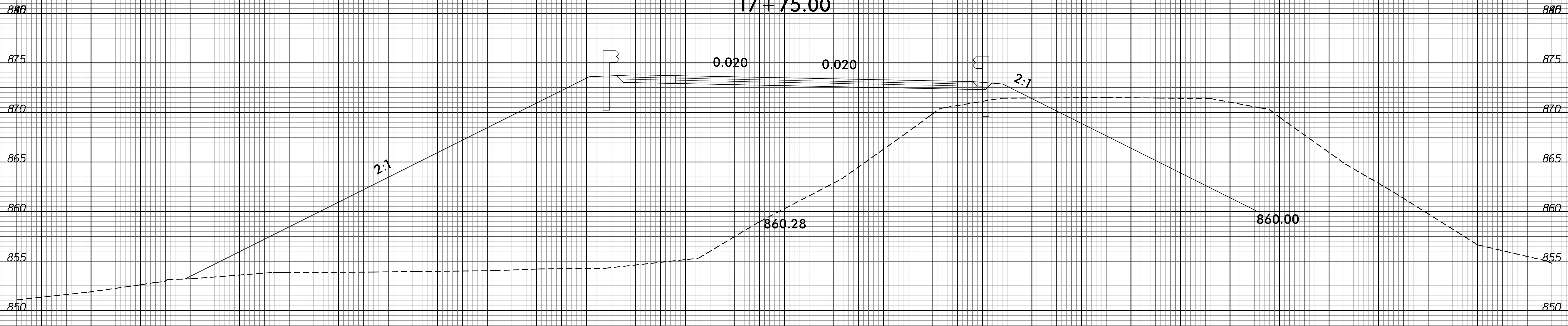
75 70 65 60 55 50 45 40 35 30 25 20 15 10 5 0 5 10 15 20 25 30 35 40 45 50 55 60 65 70 75



75 70 65 60 55 50 45 40 35 30 25 20 15 10 5 0 5 10 15 20 25 30 35 40 45 50 55 60 65 70 75



17 + 75.00



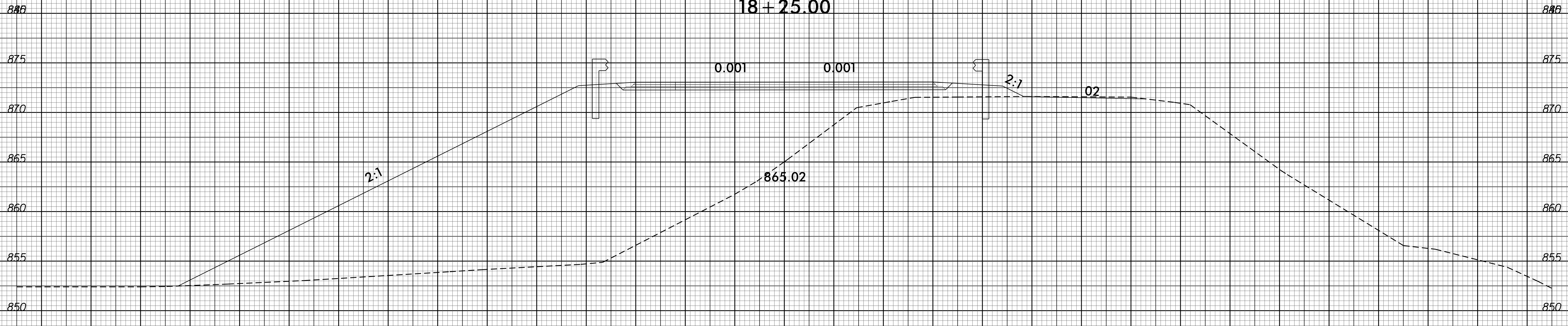
17 + 50.00

75 70 65 60 55 50 45 40 35 30 25 20 15 10 5 0 5 10 15 20 25 30 35 40 45 50 55 60 65 70 75

75 70 65 60 55 50 45 40 35 30 25 20 15 10 5 0 5 10 15 20 25 30 35 40 45 50 55 60 65 70 75



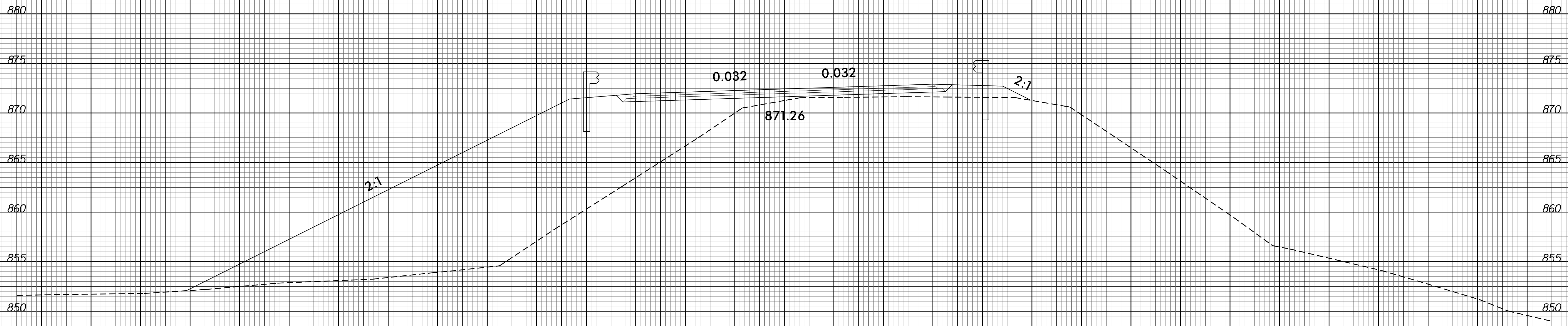
18 + 25.00



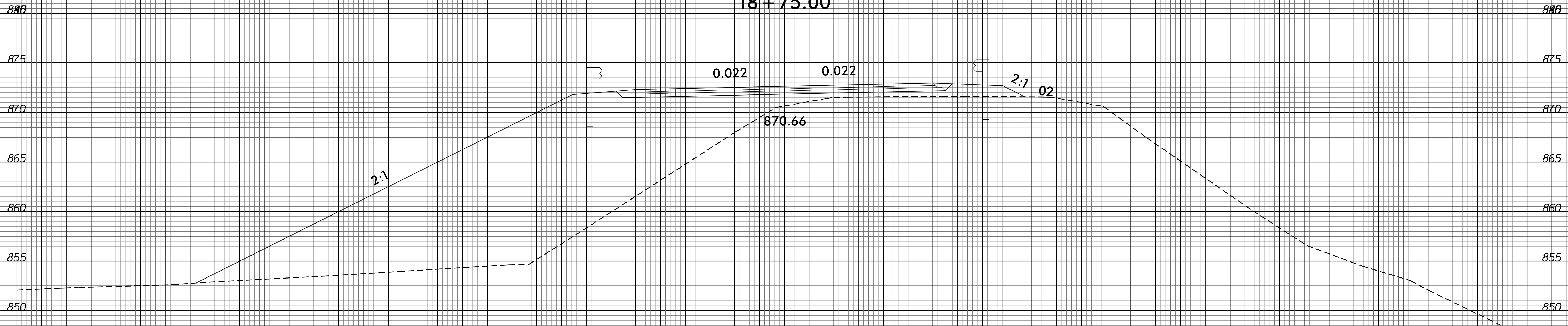
18 + 00.00

75 70 65 60 55 50 45 40 35 30 25 20 15 10 5 0 5 10 15 20 25 30 35 40 45 50 55 60 65 70 75

75 70 65 60 55 50 45 40 35 30 25 20 15 10 5 0 5 10 15 20 25 30 35 40 45 50 55 60 65 70 75



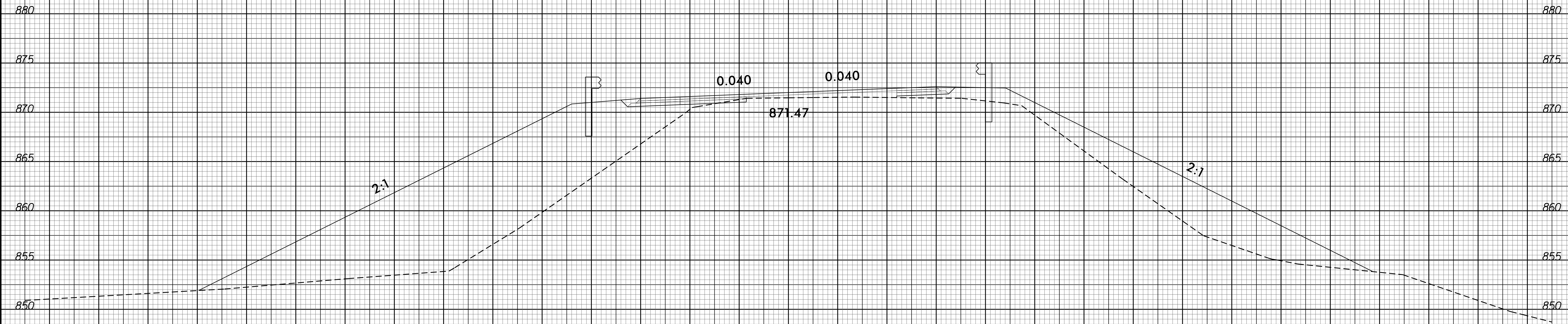
18 + 75.00



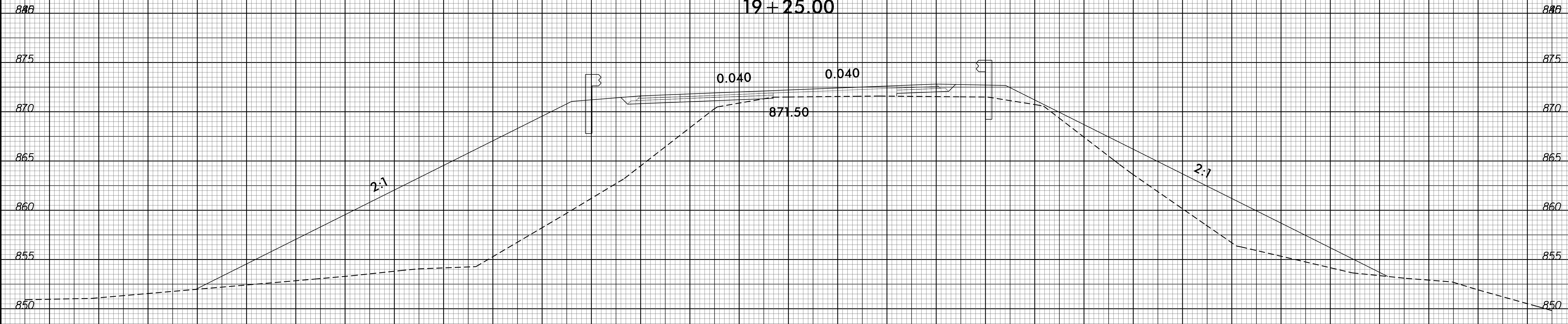
18 + 50.00



75 70 65 60 55 50 45 40 35 30 25 20 15 10 5 0 5 10 15 20 25 30 35 40 45 50 55 60 65 70 75

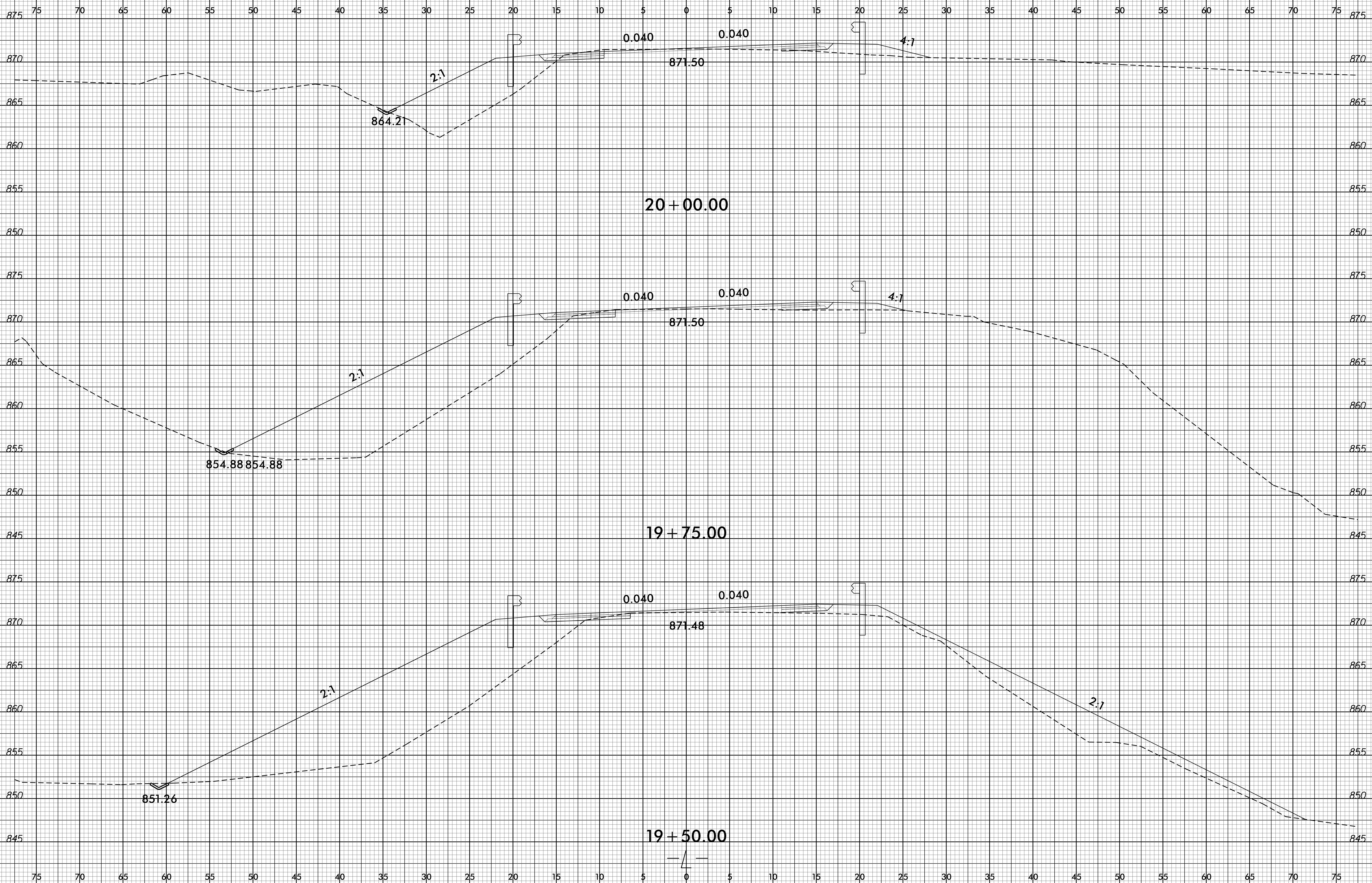


19 + 25.00

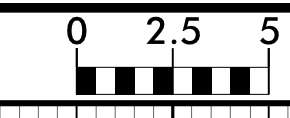


19 + 00.00

75 70 65 60 55 50 45 40 35 30 25 20 15 10 5 0 5 10 15 20 25 30 35 40 45 50 55 60 65 70 75

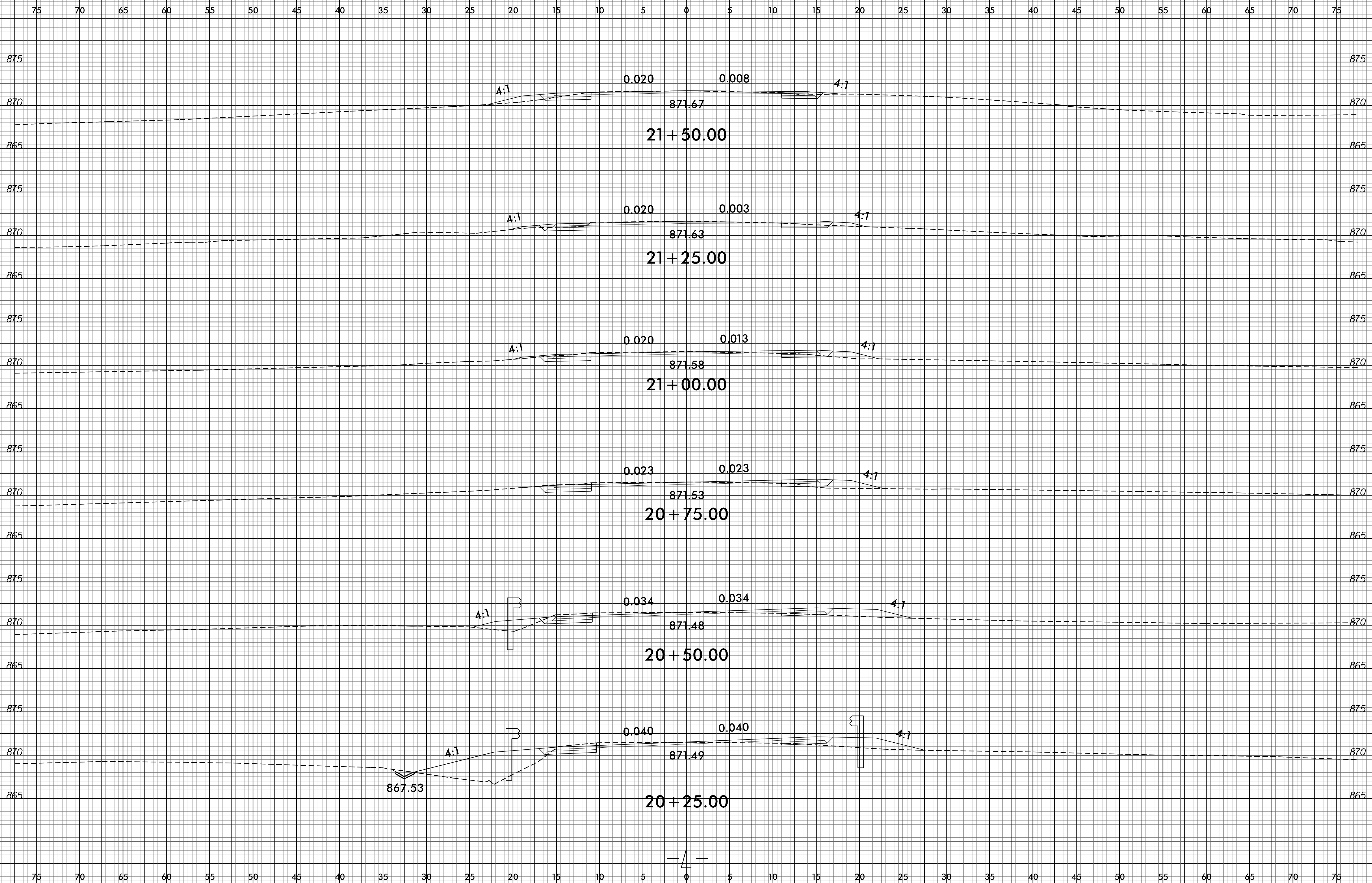


8/23/99



PROJ. REFERENCE NO.
B-4811

SHEET NO.
X-19



26-JAN-2016 14:02
 P:\Roadway\Projects\B4811_Roadway\PL\CM.dgn
 \$\$\$USERNAME\$\$\$

