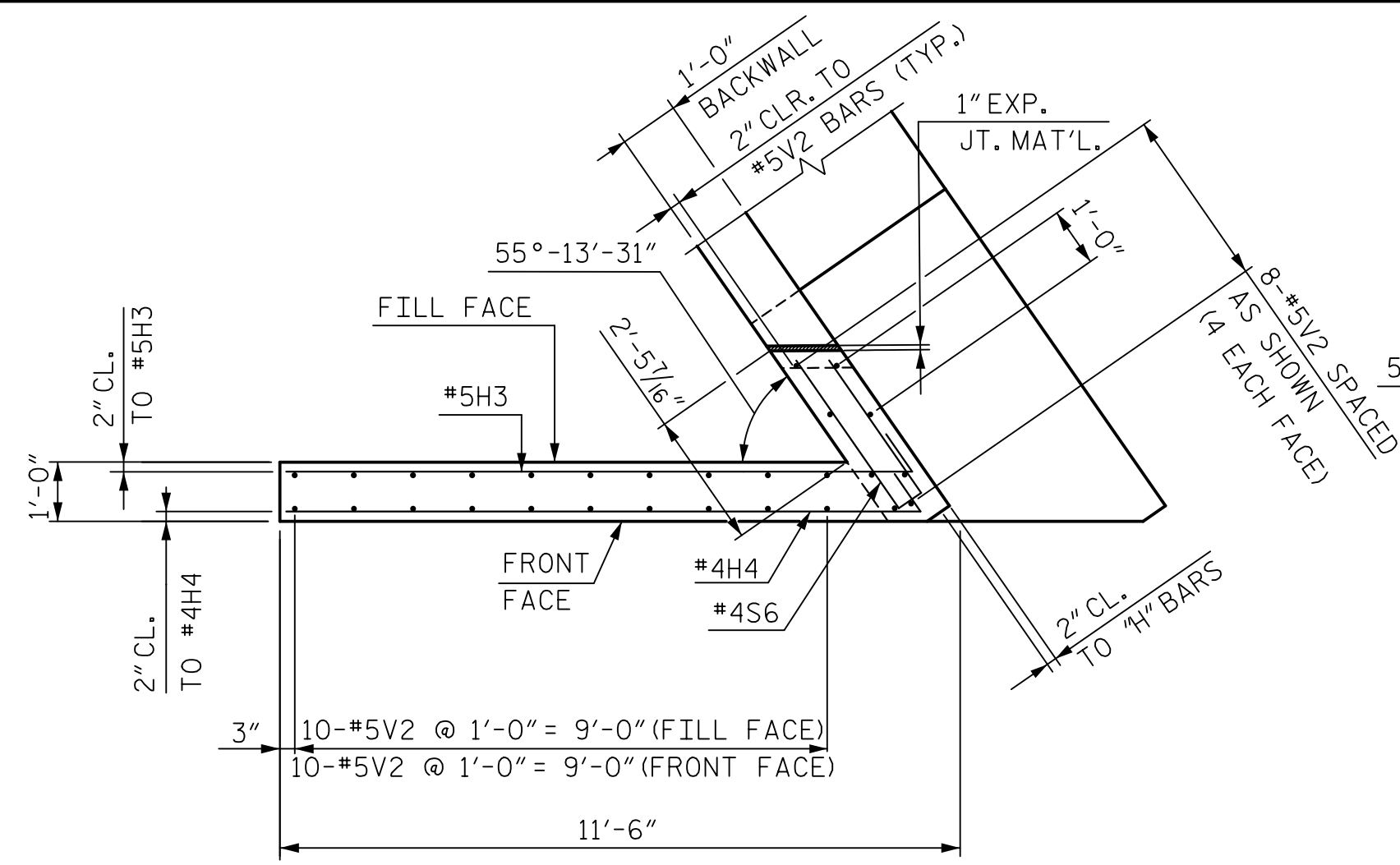
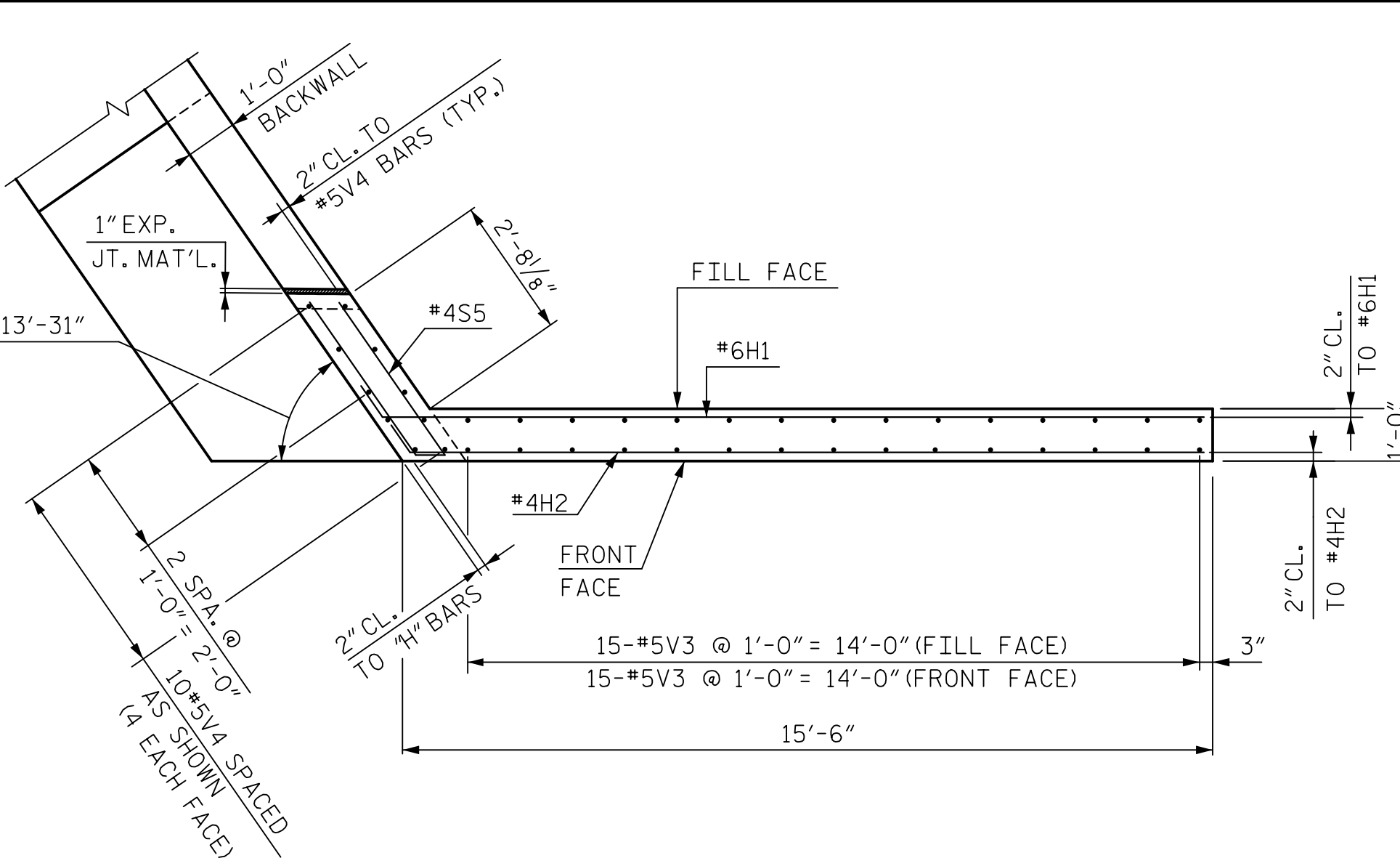


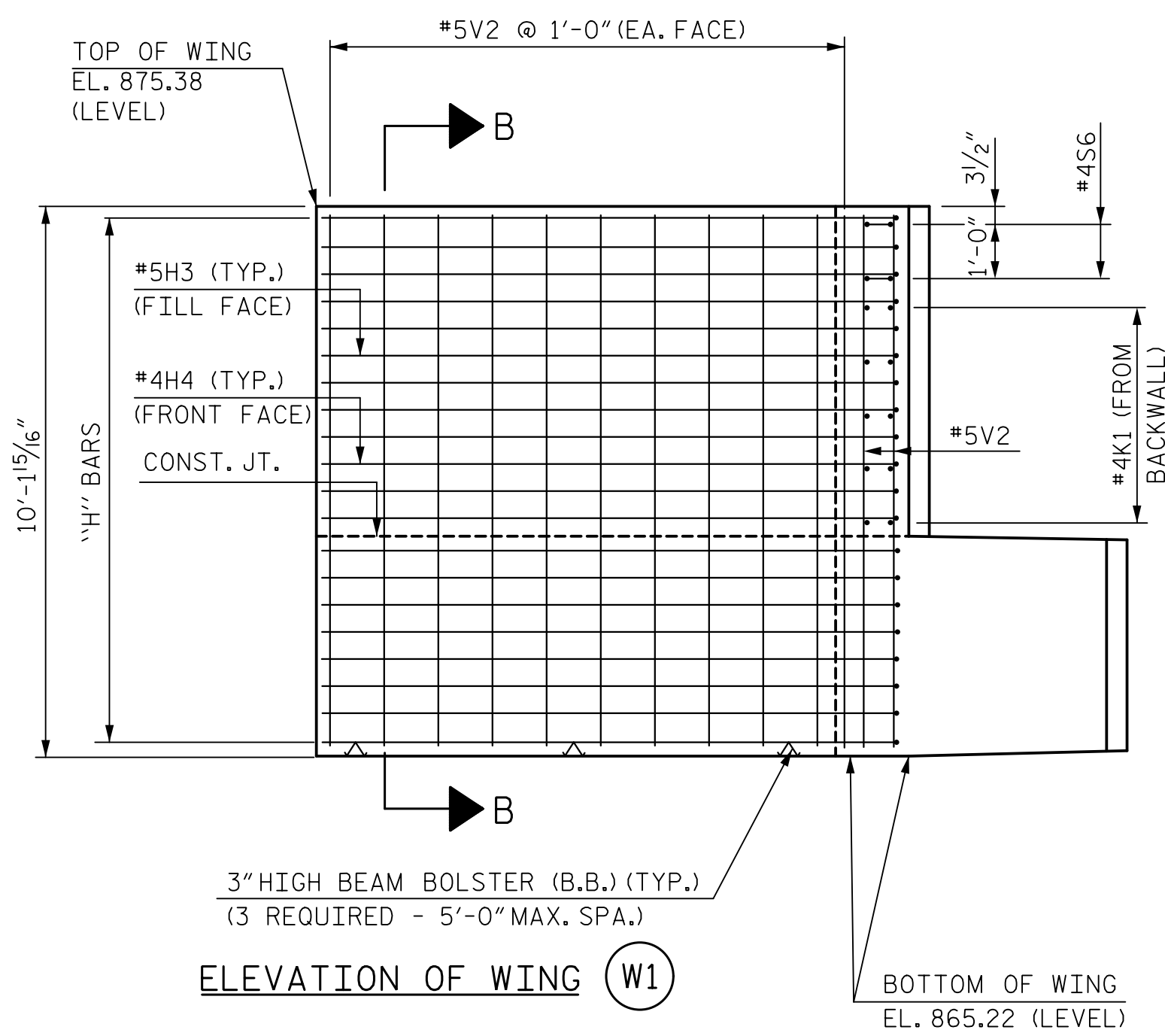
NOTES:
 FOR NOTES, SEE SHEET 3 OF 3.
 FOR BLOCKOUT IN WINGWALL, SEE SHEET 3 OF 3.



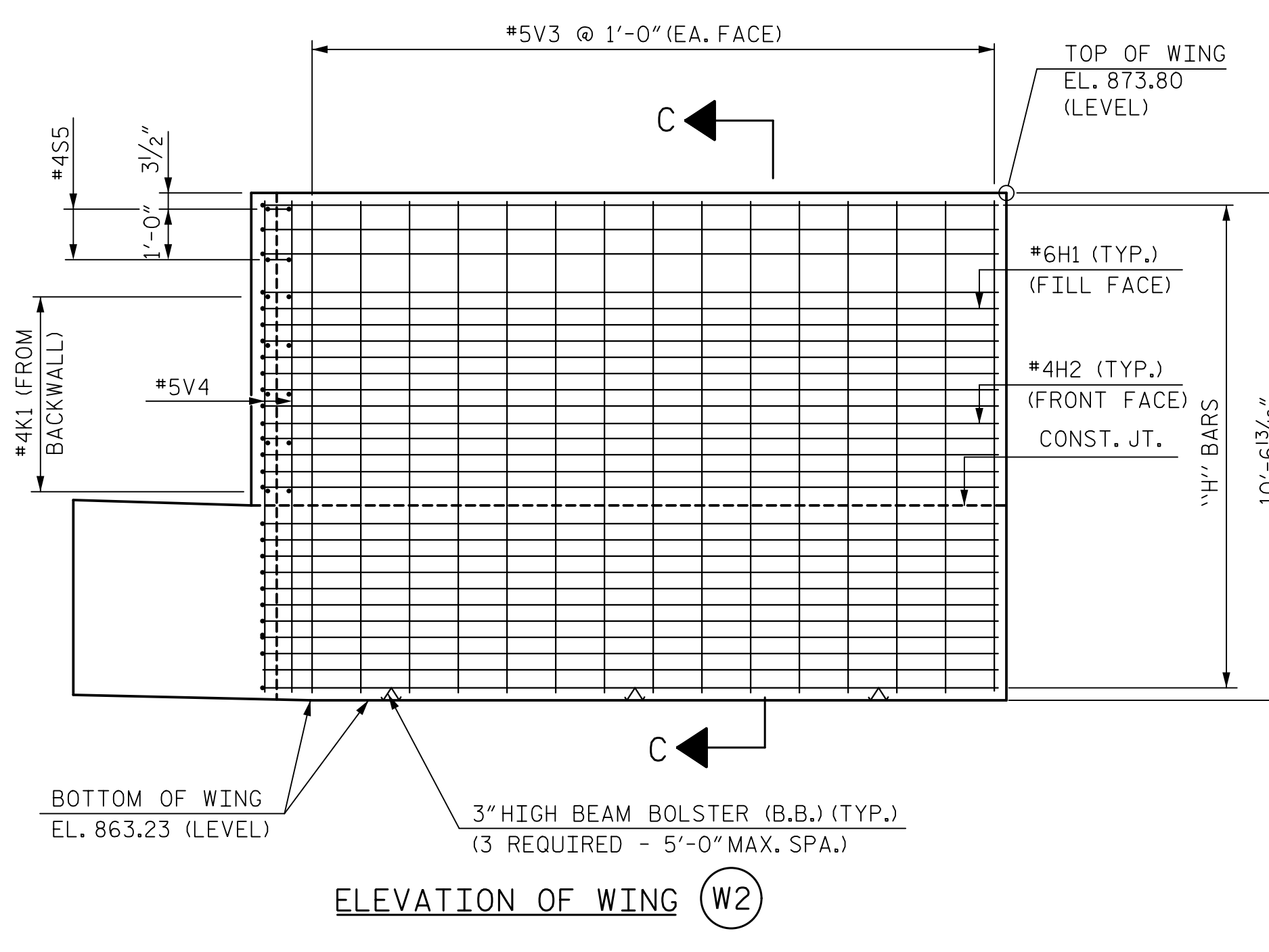
PLAN OF WING W1



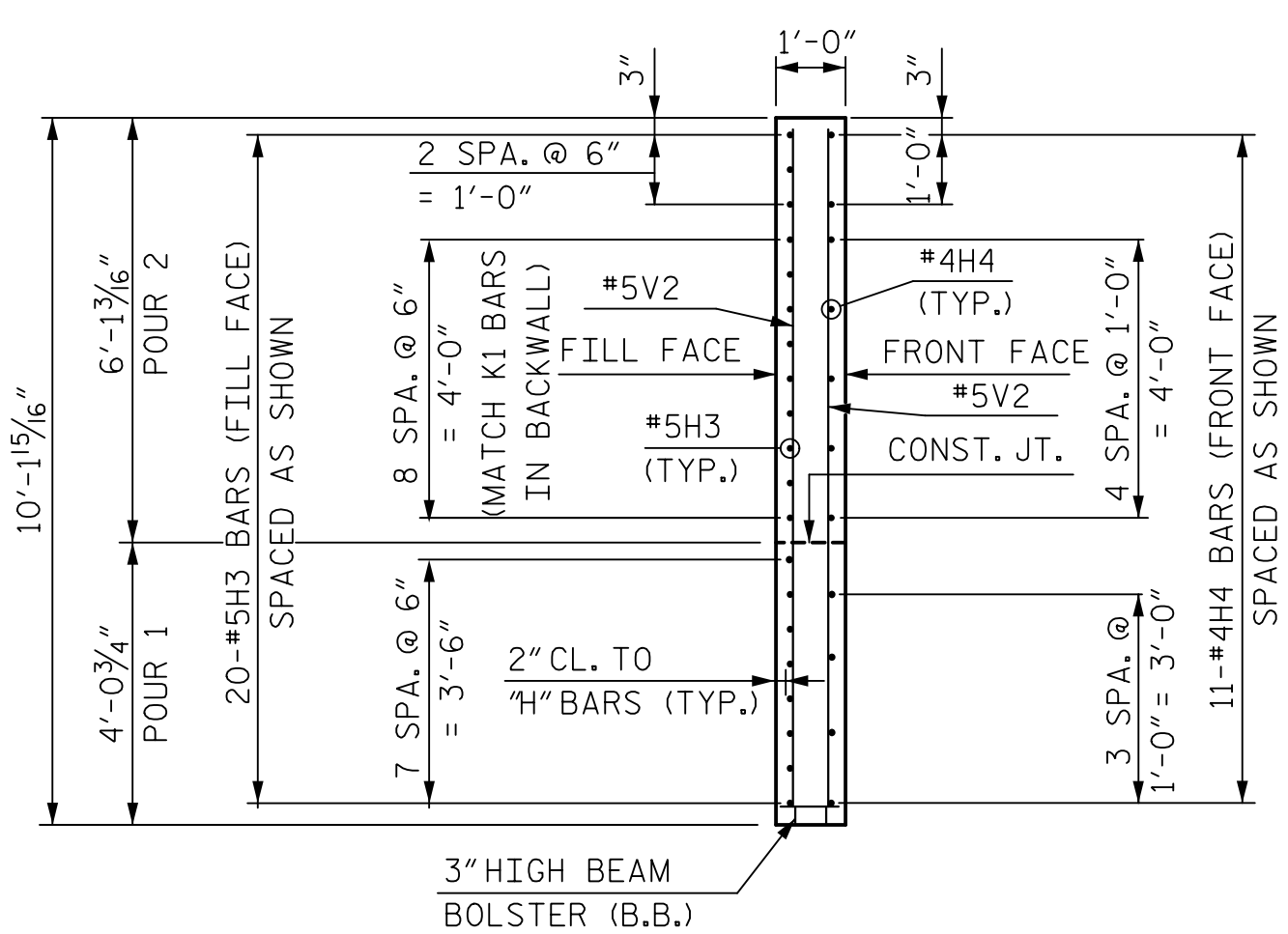
PLAN OF WING W2



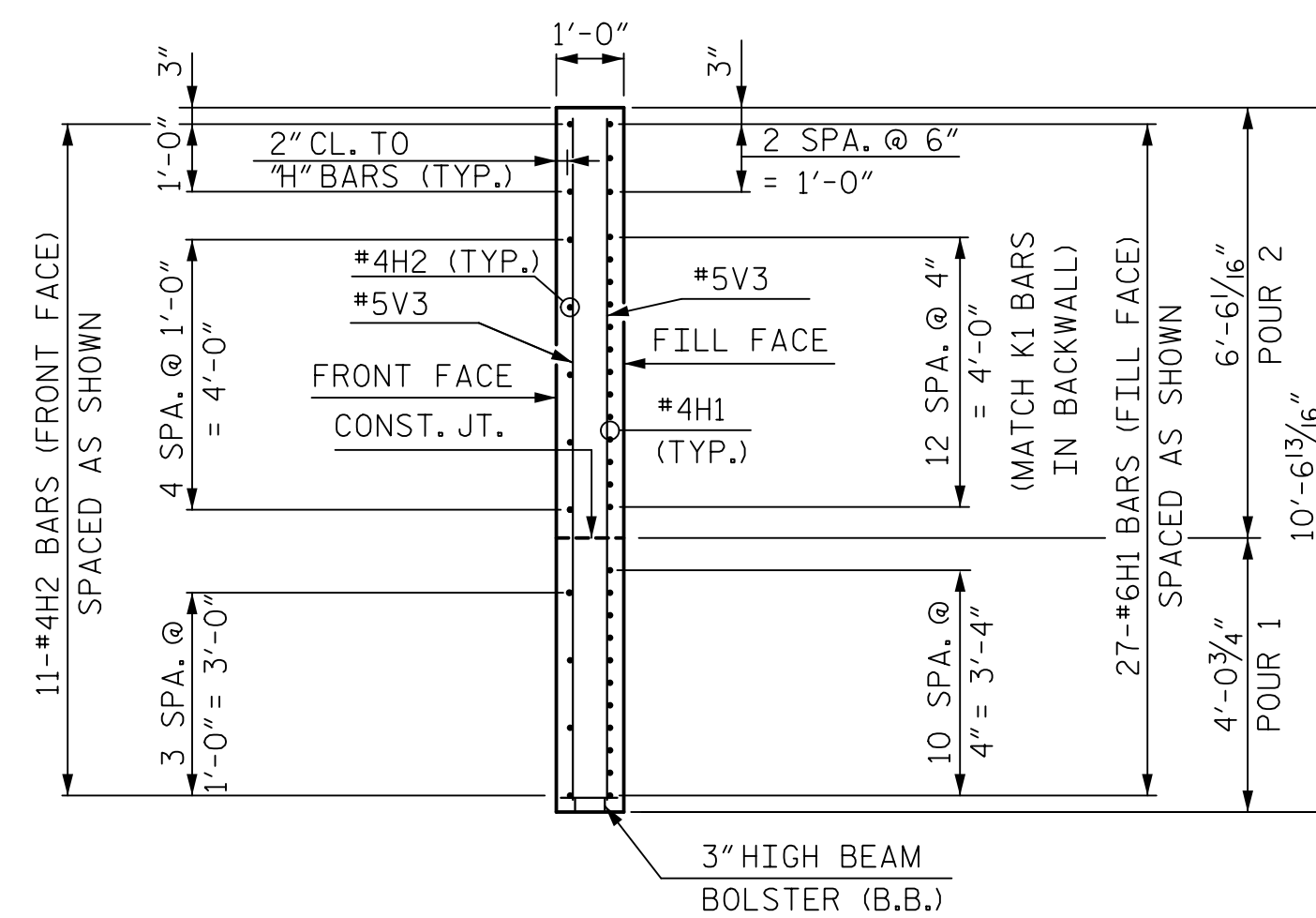
ELEVATION OF WING W1



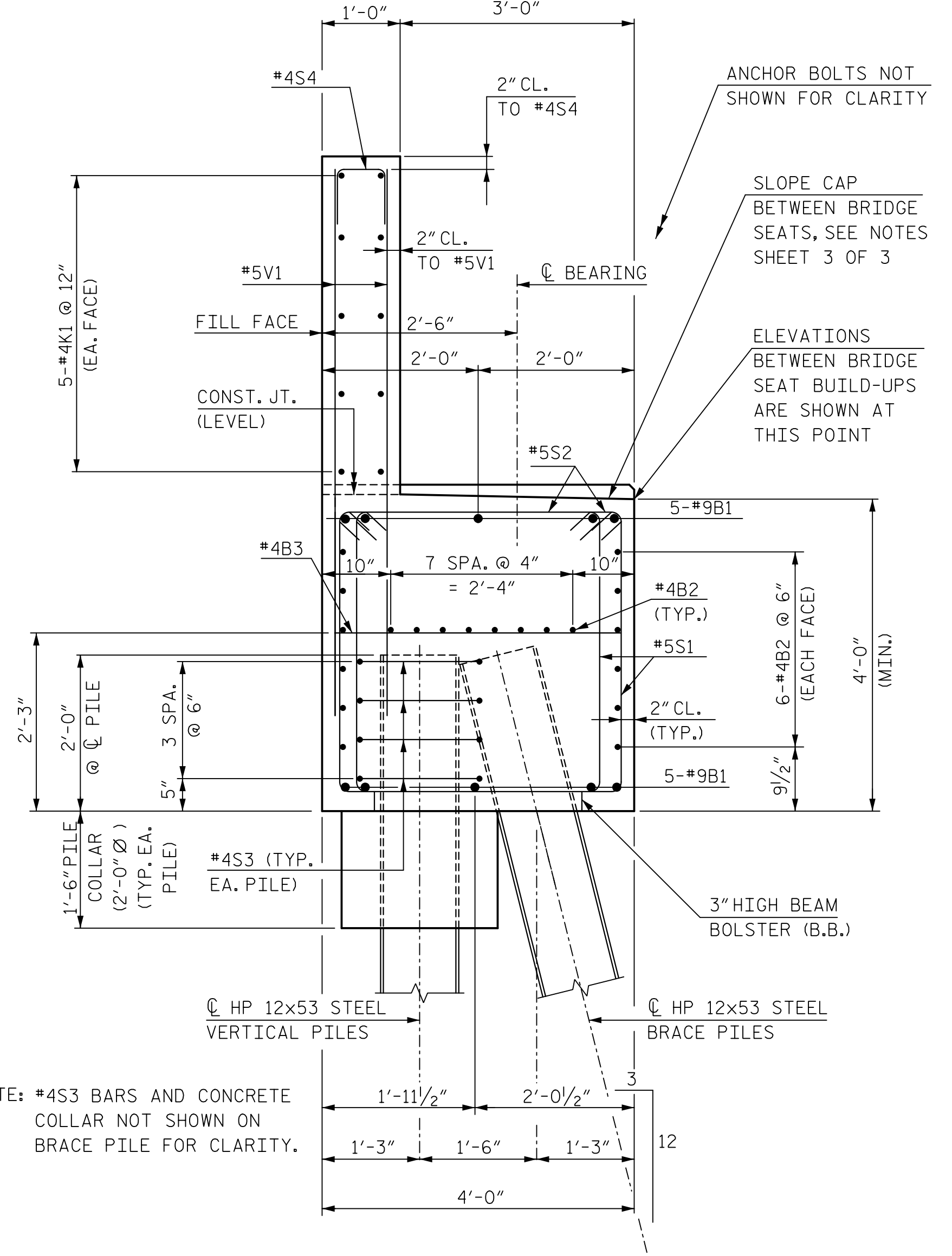
ELEVATION OF WING W2



SECTION B-B



SECTION C-C



SECTION A-A

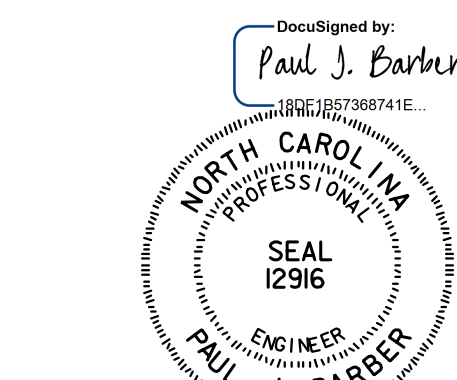
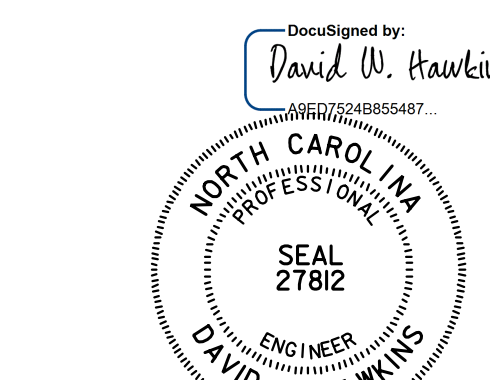
PROJECT NO. B-4811
RUTHERFORD COUNTY
 STATION: POC 15+25.00 -L-

SHEET 2 OF 3

STATE OF NORTH CAROLINA
 DEPARTMENT OF TRANSPORTATION
 RALEIGH

SUBSTRUCTURE

END BENT 2



1/29/2016

1/29/2016

HNTB HNTB NORTH CAROLINA, P.C.
 NC License No. C-1554
 343 E. Six Forks Rd., Suite 200, Raleigh, N.C. 27609

DRAWN BY M. WRIGHT DATE 11/14
 CHECKED BY D. HAWKINS DATE 4/15 DWG. NO. 36

**DOCUMENT NOT CONSIDERED FINAL
 UNLESS ALL SIGNATURES COMPLETED**

REVISIONS						SHEET NO. S01-36
NO.	BY	DATE	NO.	BY	DATE	
1			3			TOTAL SHEETS 42
2			4			