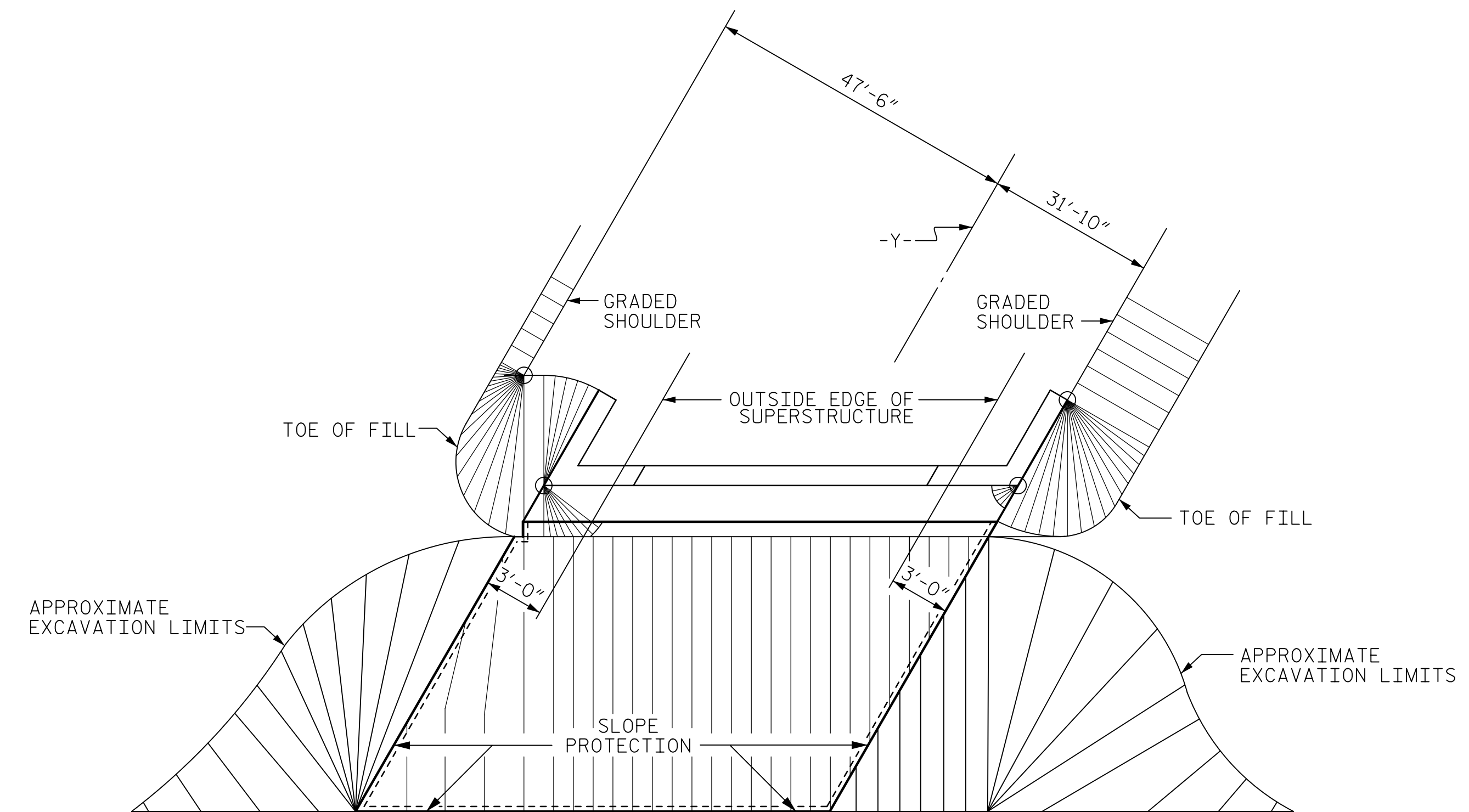


PLAN - END BENT 1
(2:1 SLOPE)



PLAN - END BENT 2
(2:1 SLOPE)

DATE: 1/12/2016
TIME: 8:55:45 AM

USER: A:\aecom\proj\172707_SML\S83_SPO2.dgn
DGN: A:\aecom\proj\172707_SML\S83_SPO2.dgn

DRAWN BY : DDL DATE : 11/2015
CHECKED BY : JCM DATE : 11/2015

PROJECT NO. U-2707
FORSYTH COUNTY
STATION: 17+34.88 -Y-
SHEET 2 OF 2 BRIDGE NO. 109

AECOM
AECOM TECHNICAL SERVICES, INC.
701 CORPORATE CENTER DRIVE, SUITE 475
RALEIGH, NC 27607
(919) 854-6200 www.aecom.com
AECOM License No. F-6342

SEAL
172707
John C. Morris
REGISTERED PROFESSIONAL ENGINEER
1/12/2016

STATE OF NORTH CAROLINA
DEPARTMENT OF TRANSPORTATION
RALEIGH

**SLOPE PROTECTION
DETAILS**

| REVISIONS | | | | | | SHEET NO. S-83 |
|-----------|-----|-------|-----|-----|-------|---------------------------|
| NO. | BY: | DATE: | NO. | BY: | DATE: | |
| | | | | | | TOTAL SHEETS 86 |

DOCUMENT NOT CONSIDERED
FINAL UNLESS ALL
SIGNATURES COMPLETED