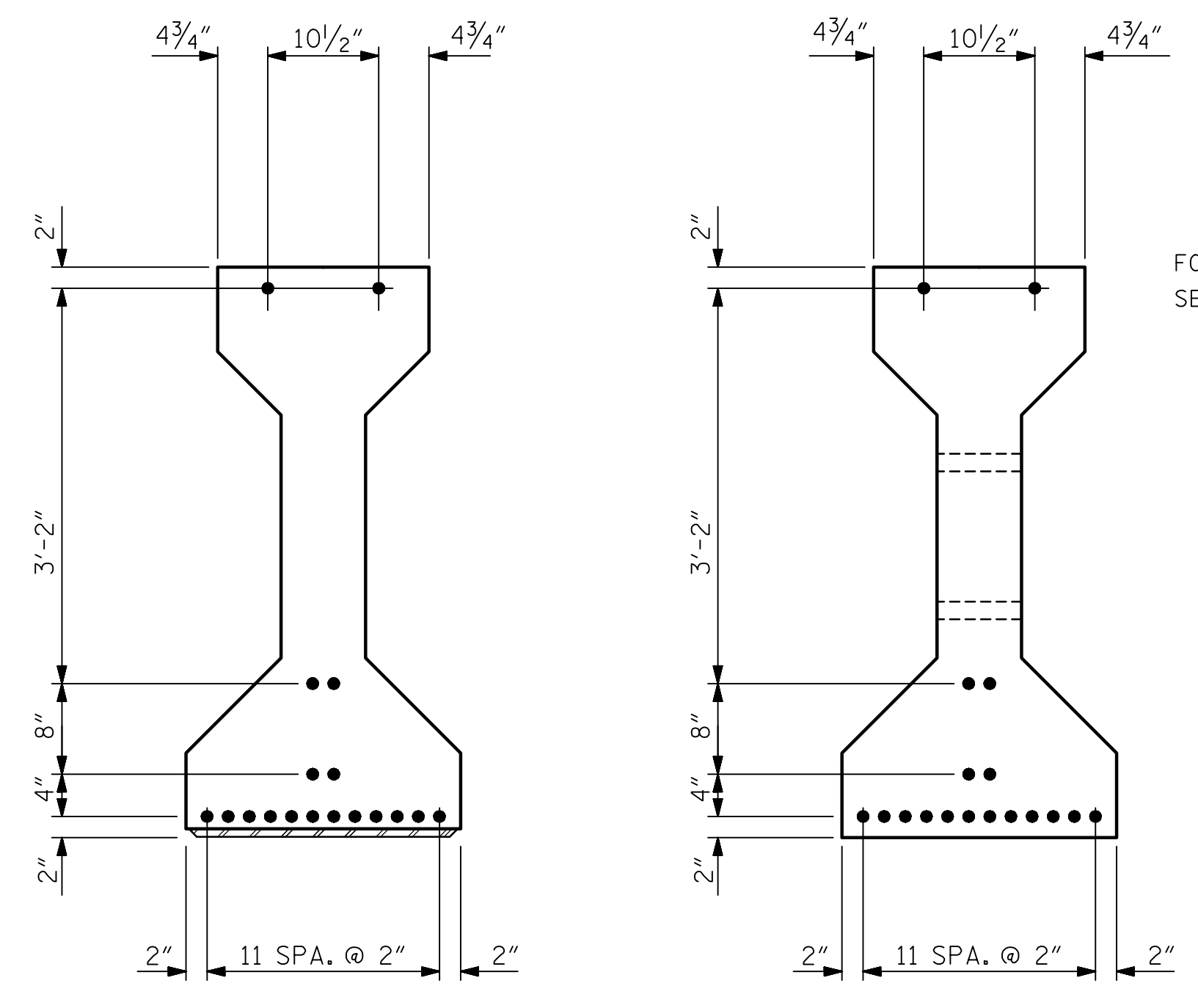
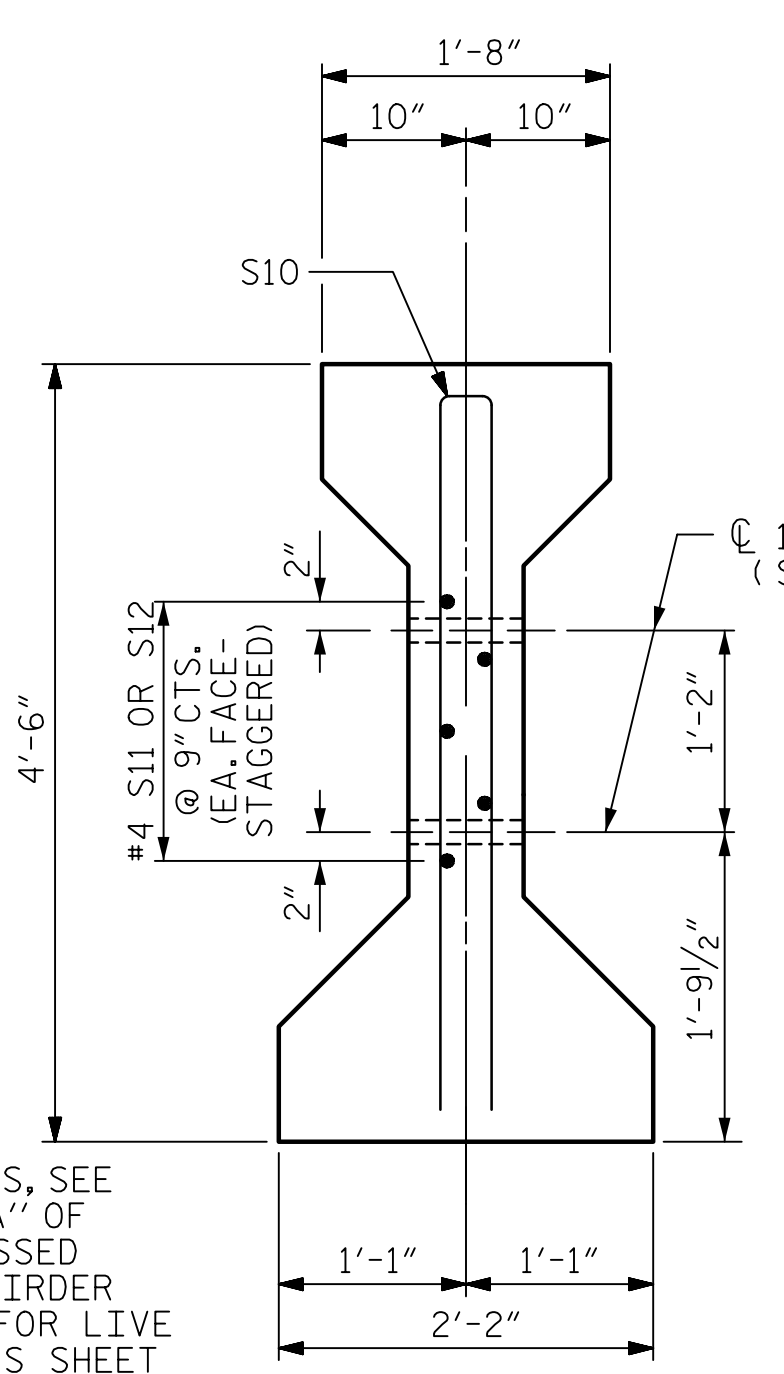


\* FOR S7 BARS, SEE DETAIL "A" OF PRESTRESSED CONCRETE GIRDER CONTINUOUS FOR LIVE LOAD DETAILS SHEET



FOR NOTES, SEE SHEET 4 OF 5.

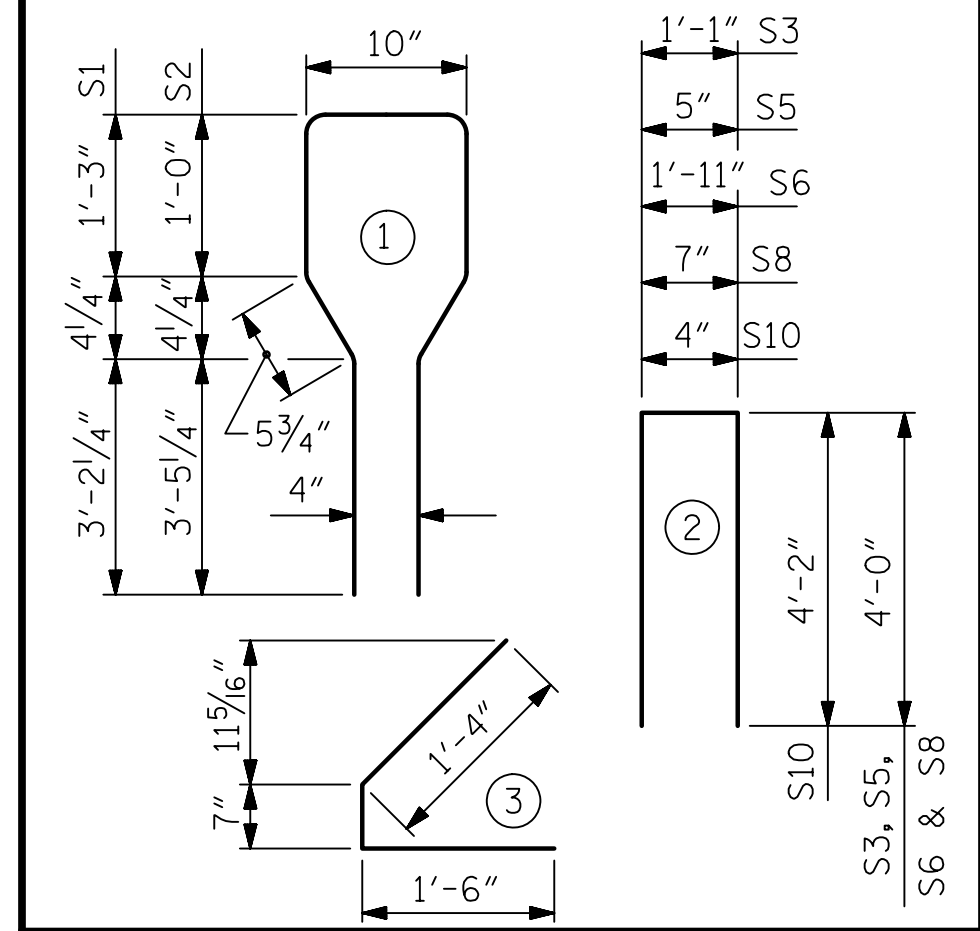
0.6" Ø L. R. GRADE 270 STRANDS		
AREA (SQ. INCHES)	ULTIMATE STRENGTH (LBS. PER STRAND)	APPLIED PRESTRESS (LBS. PER STRAND)
0.217	58,600	43,950

REINFORCING STEEL FOR ONE GIRDER					
BAR	NUMBER	SIZE	TYPE	LENGTH	WEIGHT
S1	45	#4	1	10'-8"	321
S2	12	#6	1	10'-8"	192
S3	4	#4	2	9'-1"	24
S4	64	#4	3	3'-5"	146
S5	6	#4	2	8'-5"	34
S6	1	#4	2	9'-11"	7
* S7	6	#5	STR	3'-8"	23
S8	4	#4	2	8'-7"	23
S9	1	#3	STR	1'-10"	1
S10	2	#5	2	8'-8"	18
S10	4	#5	2	8'-8"	36
S11	5	#4	STR	7'-0"	23
S12	5	#4	STR	12'-0"	40

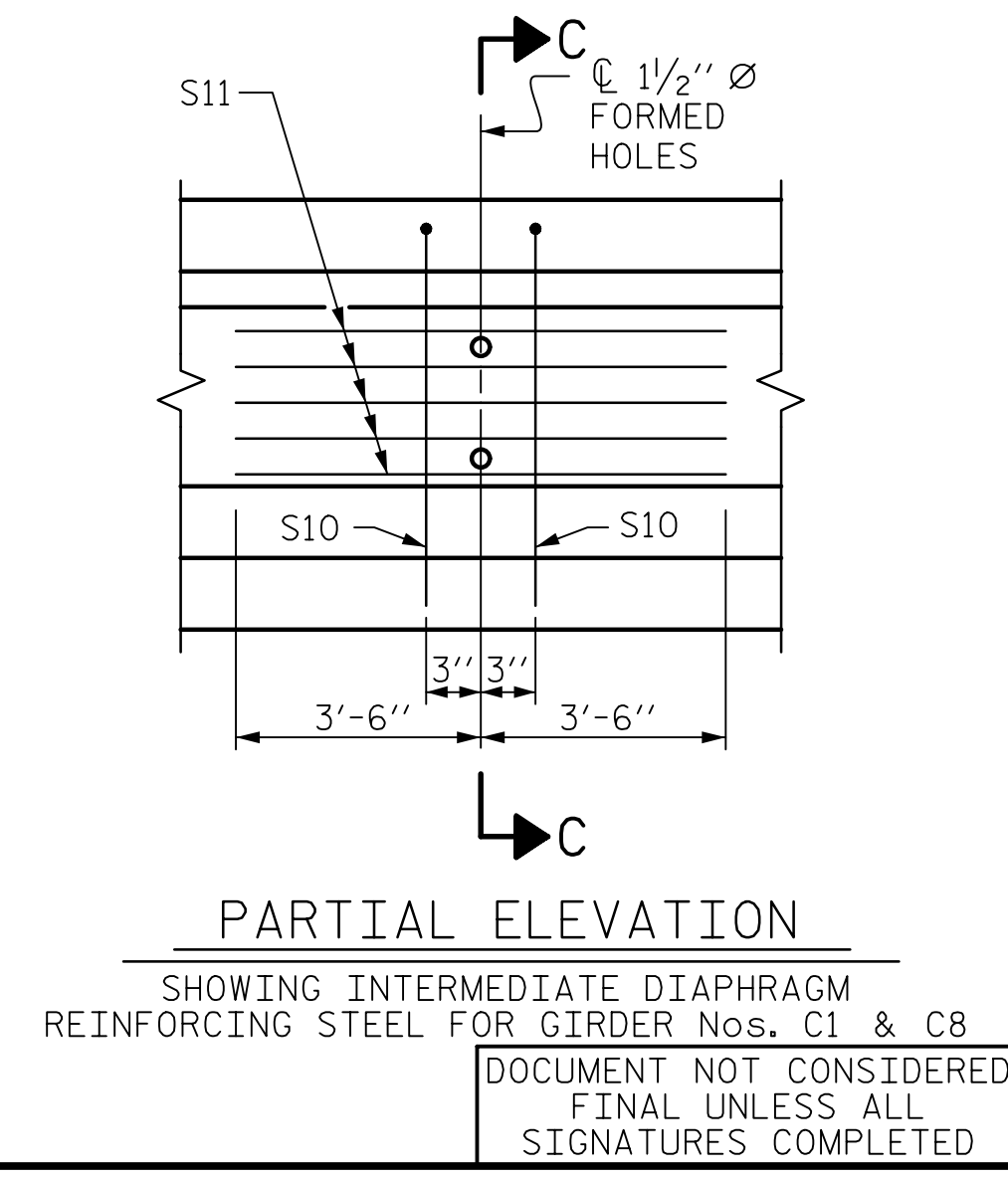
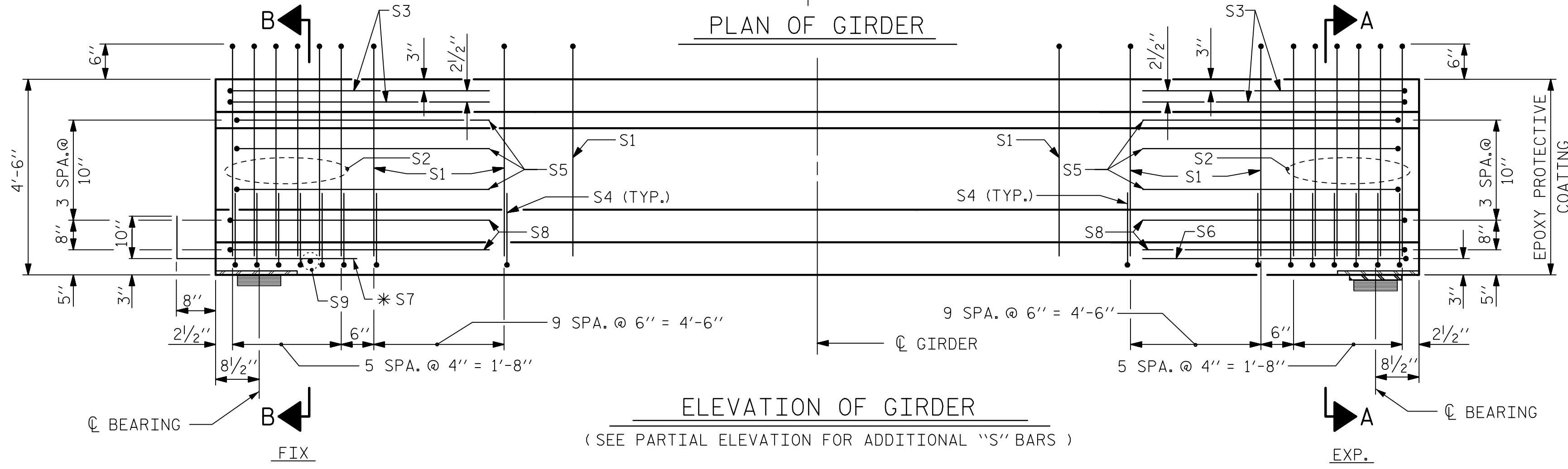
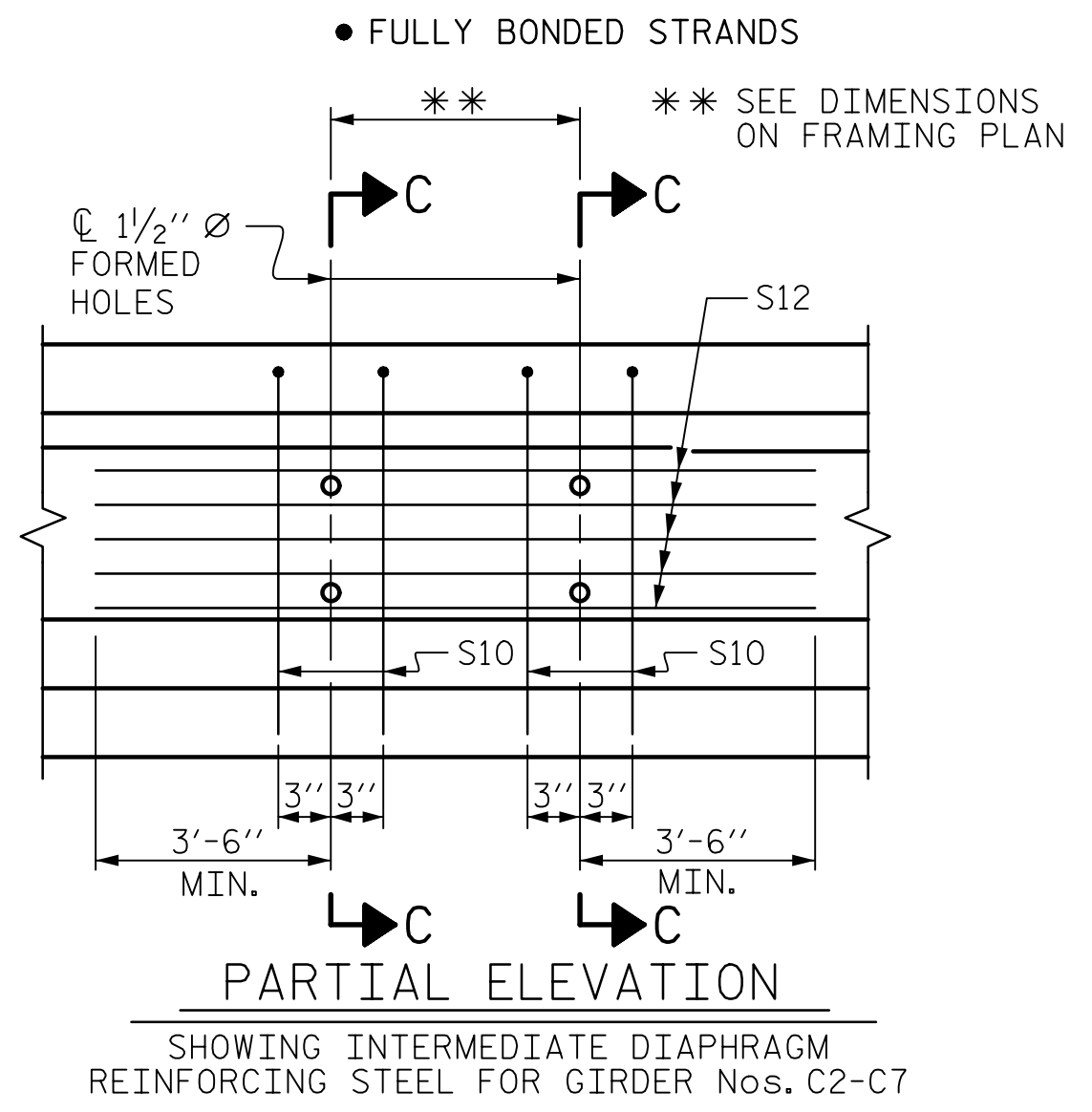
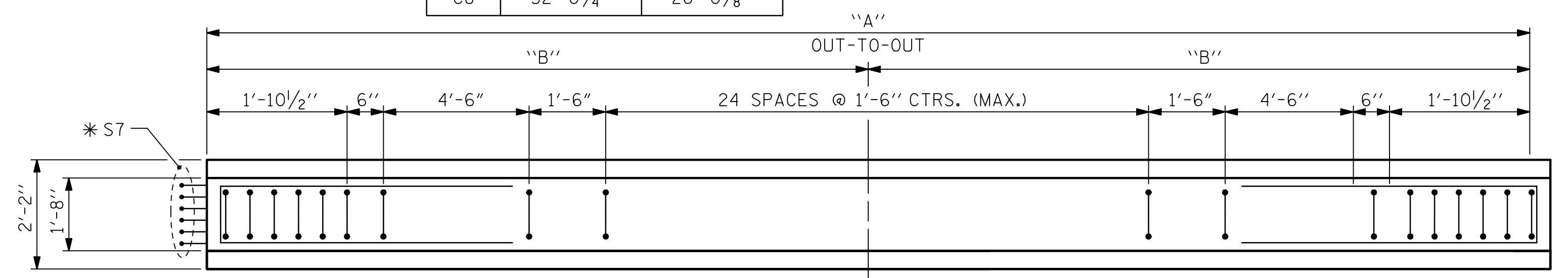
\* NOTE: S7 BARS SHALL BE BENT BEFORE SHIPMENT. HEAT BENDING SHALL NOT BE ALLOWED.

**BAR TYPES**

ALL BAR DIMENSIONS ARE OUT-TO-OUT



GDR.	"A"	"B"
C1	52'-4"	26'-2"
C2	52'-3 1/4"	26'-1 5/8"
C3	52'-2 1/2"	26'-1 1/4"
C4	52'-2"	26'-1"
C5	52'-1 1/4"	26'-0 5/8"
C6	52'-0 3/4"	26'-0 3/8"
C7	52'-0 1/4"	26'-0 1/8"
C8	52'-0 1/4"	26'-0 1/8"



QUANTITIES FOR ONE GIRDER			
	REINFORCING STEEL (LB.)	6000 PSI CONCRETE (C.Y.)	0.6" Ø L. R. STRANDS (No.)
EXTERIOR GIRDER	812	10.6 (AVG.)	18
INTERIOR GIRDER	847	10.6 (AVG.)	18

GIRDERS REQUIRED		
NUMBER	LENGTH	TOTAL LENGTH
8	SEE TABLE	417'-2 1/4"

PROJECT NO. U-2707  
 FORSYTH COUNTY  
 STATION: 17+34.88 -Y-  
 SHEET 3 OF 5 BRIDGE NO. 109



STATE OF NORTH CAROLINA  
 DEPARTMENT OF TRANSPORTATION  
 RALEIGH  
 STANDARD  
 AASHTO TYPE IV  
 PRESTRESSED CONCRETE GIRDER  
 CONTINUOUS FOR LIVE LOAD  
 SPAN C

REVISIONS					
NO.	BY:	DATE:	NO.	BY:	DATE:
1			3		
2			4		

SHEET NO. **S-56**  
 TOTAL SHEETS **86**  
 STD. NO. PC66

ASSEMBLED BY : KHC DATE : 11/2015  
 CHECKED BY : JCM DATE : 11/2015  
 DRAWN BY : ELR 8/91 REV. 5/1/06R TLA/GM  
 CHECKED BY : GRP 8/91 REV. 10/1/11 MAA/GM  
 REV. 1/15 MAA/TMG

DOCUMENT NOT CONSIDERED FINAL UNLESS ALL SIGNATURES COMPLETED

DATE: 1/12/2016 TIME: 8:55:07 AM

USER: \\s01c01p01\proj\109\cadd\02\_122707\_SML\_S56\_P0003.dgn