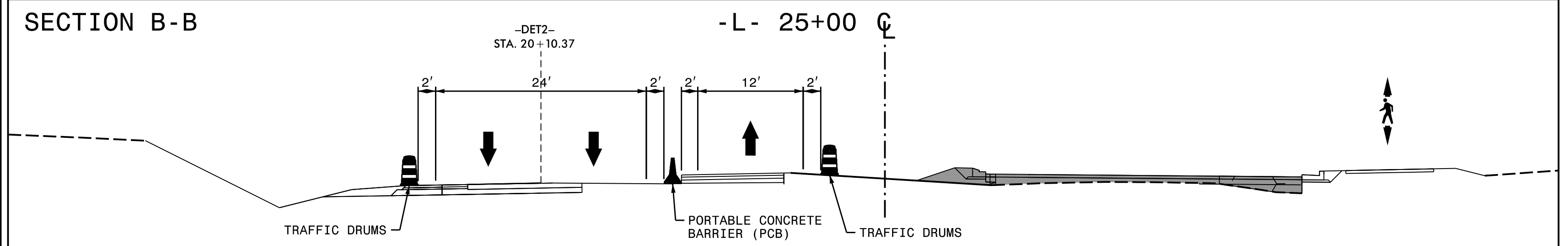

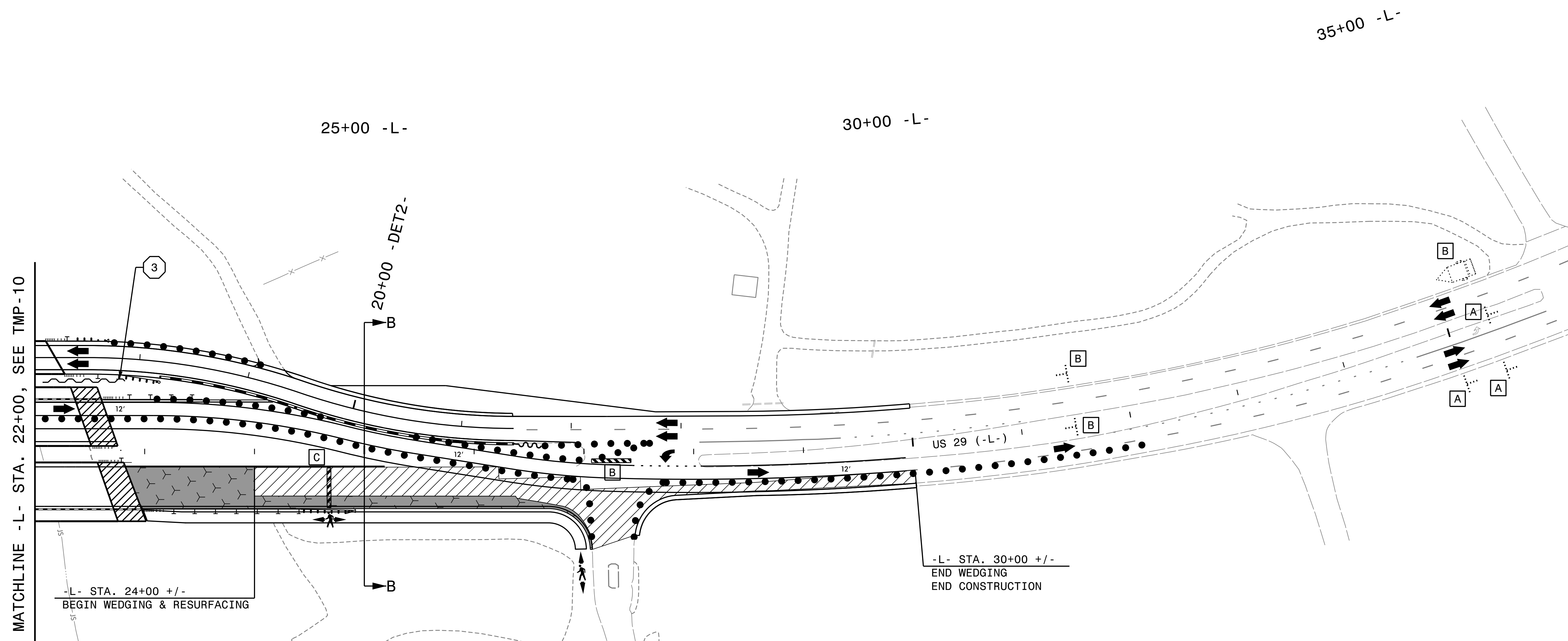


SECTION B-B

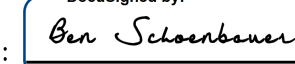


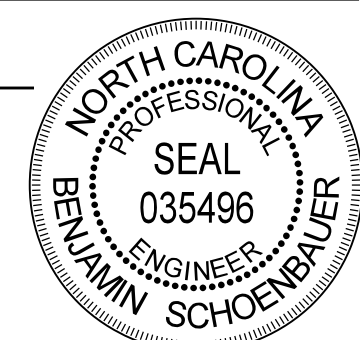
PROJ. REFERENCE NO. B-5123	SHEET NO. TMP-11
 HDR Engineering, Inc. of the Carolinas 555 Fayetteville St, Suite 900 Raleigh, N.C. 27601 N.C.B.E.L.S. License Number: F-0116	



- A** SIGNS TO REMAIN FROM PHASE 1 (SEE TMP-5)
 - B** SIGNS AND DEVICES TO REMAIN FROM PHASE 2 (SEE TMP-7)
 - C** SIGNS AND DEVICES TO REMAIN FROM PHASE 3, STEPS 1 & 2 (SEE TMP-9)
 - 3** TEMPORARY SHORING TO REMAIN FROM PHASE 2 (SEE TMP-7)
- SEE SHEET TMP-2A FOR TEMPORARY SHORING INFORMATION.

PLOT DRIVER: NCDOT_pdf_color_eng_50.plt
 USER: CHARNDEN
 DATE: 1/29/2016
 TIME: 9:43:47 AM
 FILE: p:\WPAPP\TPA01\SouthEast\Tampa\Documents\000166\CON0079159\CON0104476\000000000272555\6.0\CAD\BIM\6.2\Work_In_Progress\TrafficControl\TCP\B-5123_TC_TMP.11-Phase3b-2.dgn

APPROVED: 
 DATE: 1/29/2016



**DOCUMENT NOT CONSIDERED FINAL
UNLESS ALL SIGNATURES COMPLETED**



PHASE 3
STEP 3