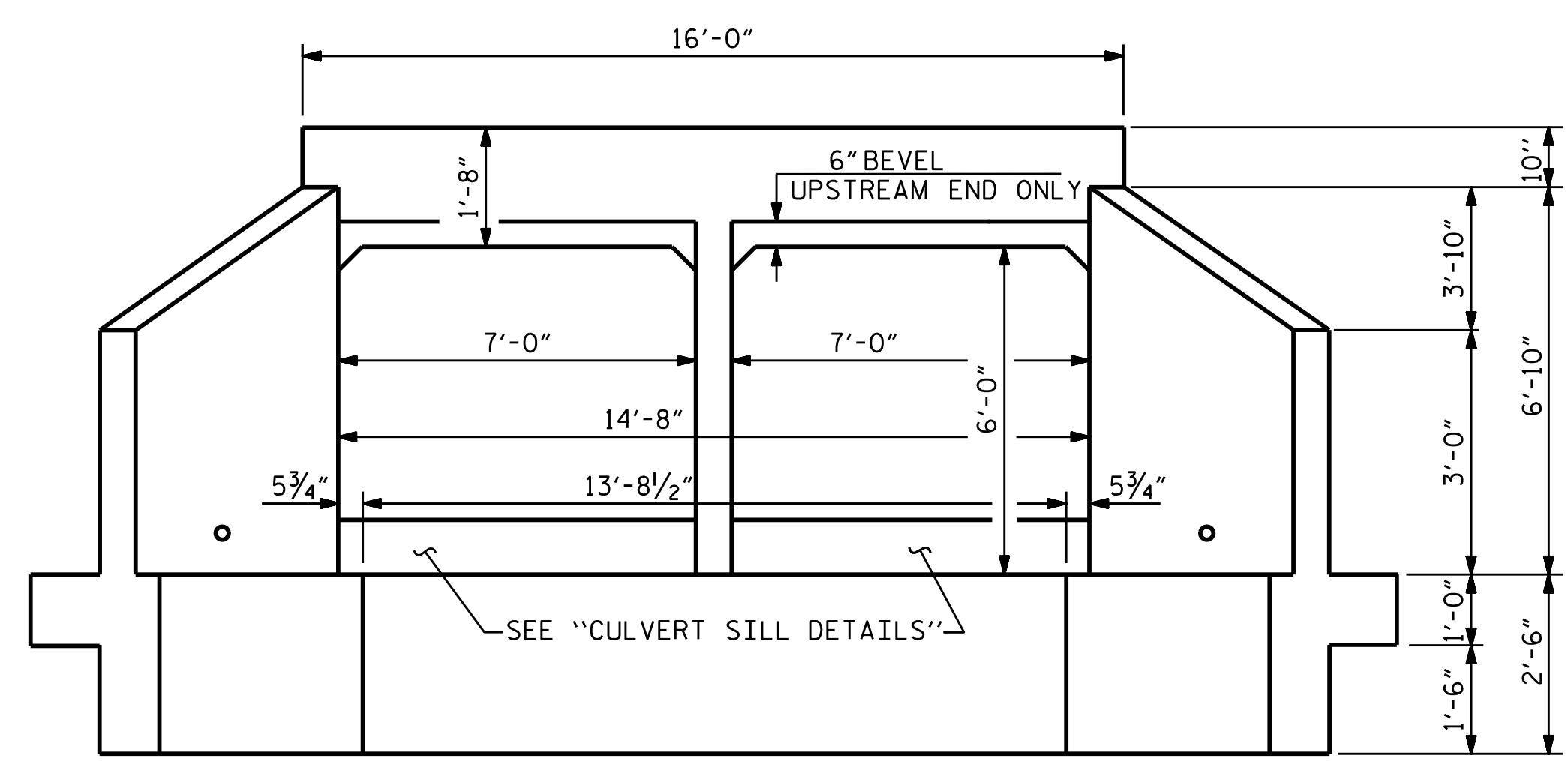
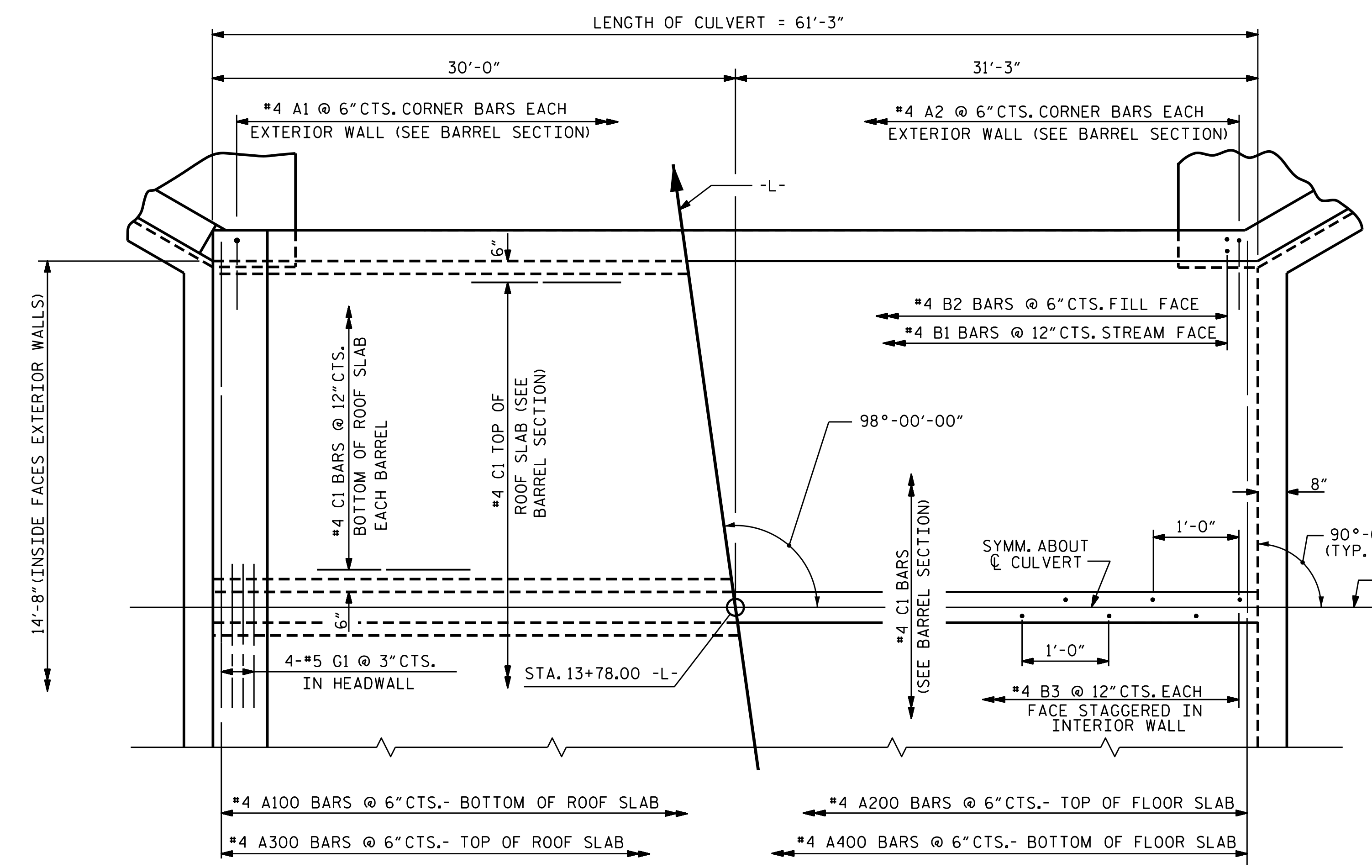


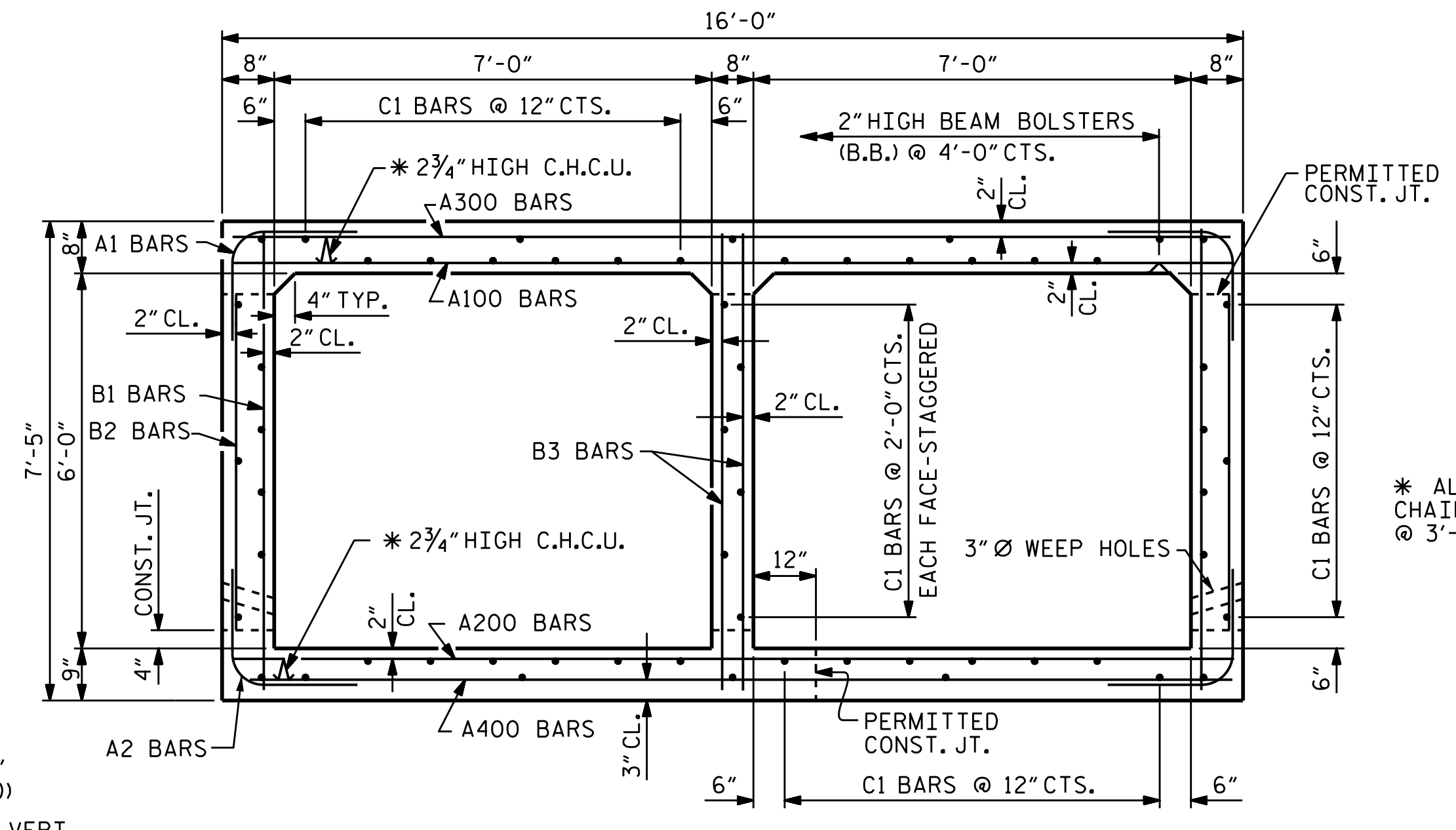
EXTERIOR WALL INTERIOR WALL
CULVERT SECTION NORMAL TO ROADWAY



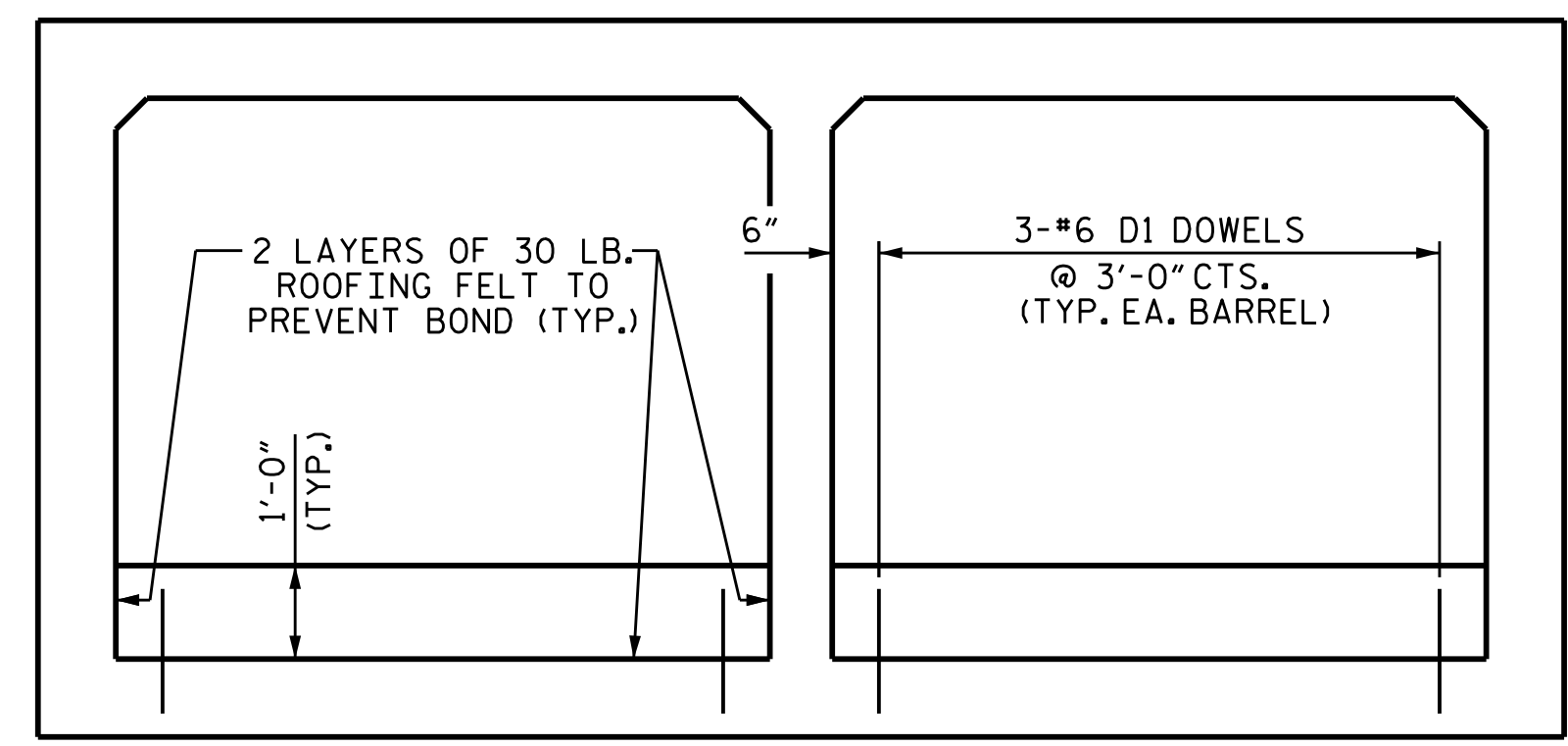
END ELEVATION



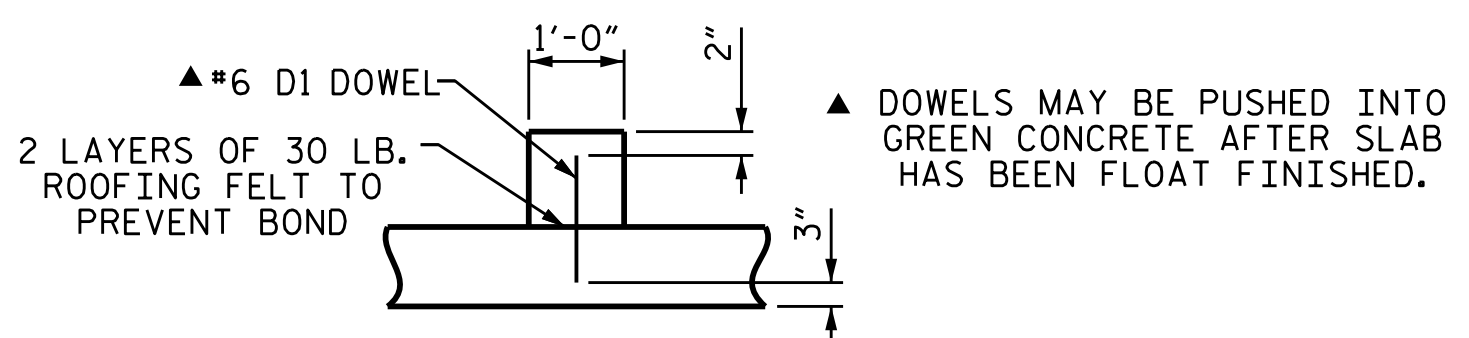
PART PLAN-ROOF SLAB PART PLAN-FLOOR SLAB



RIGHT ANGLE SECTION OF BARREL
 THERE ARE 58 "C" BARS IN SECTION OF BARREL.
 (3 BAR RUNS)

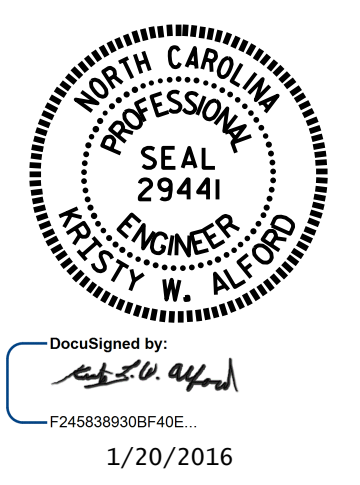


CULVERT SILL DETAILS



SECTION THROUGH SILL

PROJECT NO. B-5128
RANDOLPH COUNTY
 STATION: 13+78.00 -L-
 SHEET 2 OF 2



STATE OF NORTH CAROLINA
 DEPARTMENT OF TRANSPORTATION
 RALEIGH
**BARREL STANDARD
 DOUBLE 7 FT. X 6 FT.
 CONCRETE BOX CULVERT
 98° SKEW**

REVISIONS						SHEET NO.
NO.	BY:	DATE:	NO.	BY:	DATE:	C-2
1			3			TOTAL SHEETS
2			4			4

DOCUMENT NOT CONSIDERED FINAL
 UNLESS ALL SIGNATURES COMPLETED

REVISED 11-19-99 BY M.M. CHECKED BY R.W.W.
 REDRAWN NOV. 1990 BY TSS CHECKED BY ARB

ASSEMBLED BY: <u>William J. Pugh</u> DATE: <u>10/20/14</u>	SPECIAL
CHECKED BY: <u>T.L. AVERETTE</u> DATE: <u>1/20/15</u>	
DRAWN BY: <u>RALPH D. UNDERWOOD</u> DATE: <u>MAY 1971</u>	STANDARD
CHECKED BY: <u>JOEL A. JOHNSON</u> DATE: <u>JULY 1971</u>	