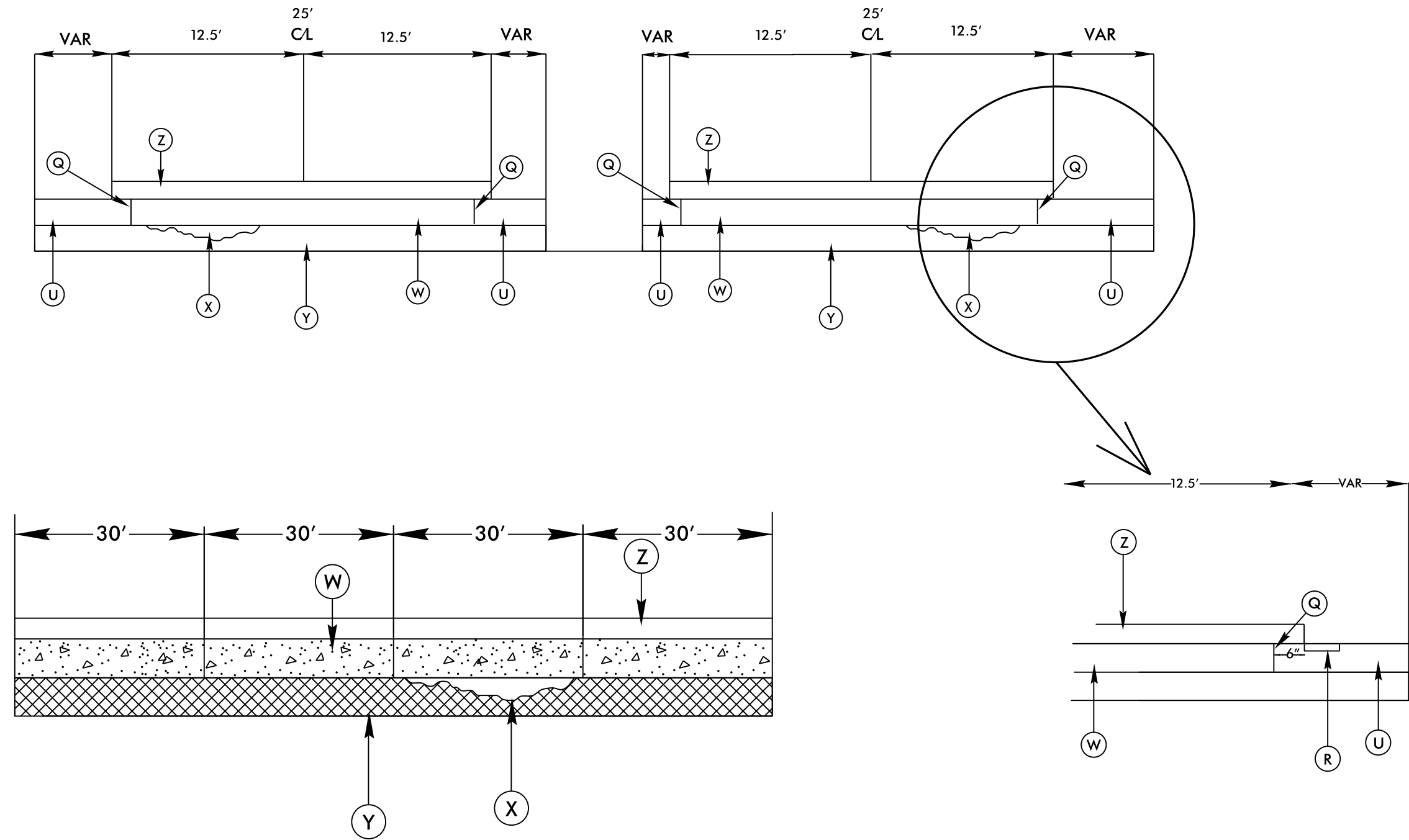


PROJECT REFERENCE NO.		SHEET NO.
I-5758 / I-5759		3
STATE PROJECT	F.A. PROJECT NO.	DESCRIPTION
52036.3.1	NHPP-0026(2)40	I-5758
52037.3.1	NHPP-0026(6)21	I-5759

# TYPICAL 1



PROFILE VIEW