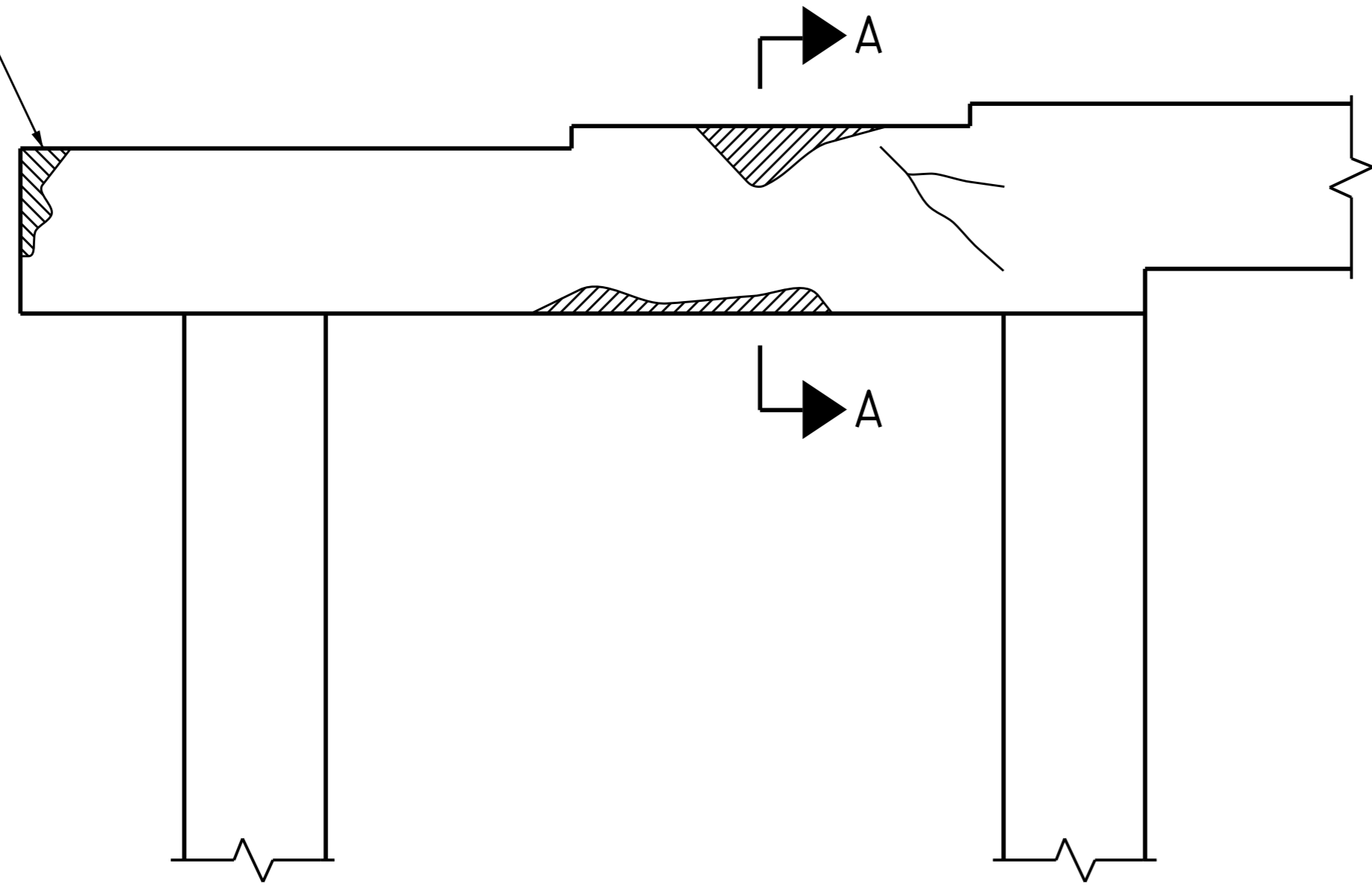
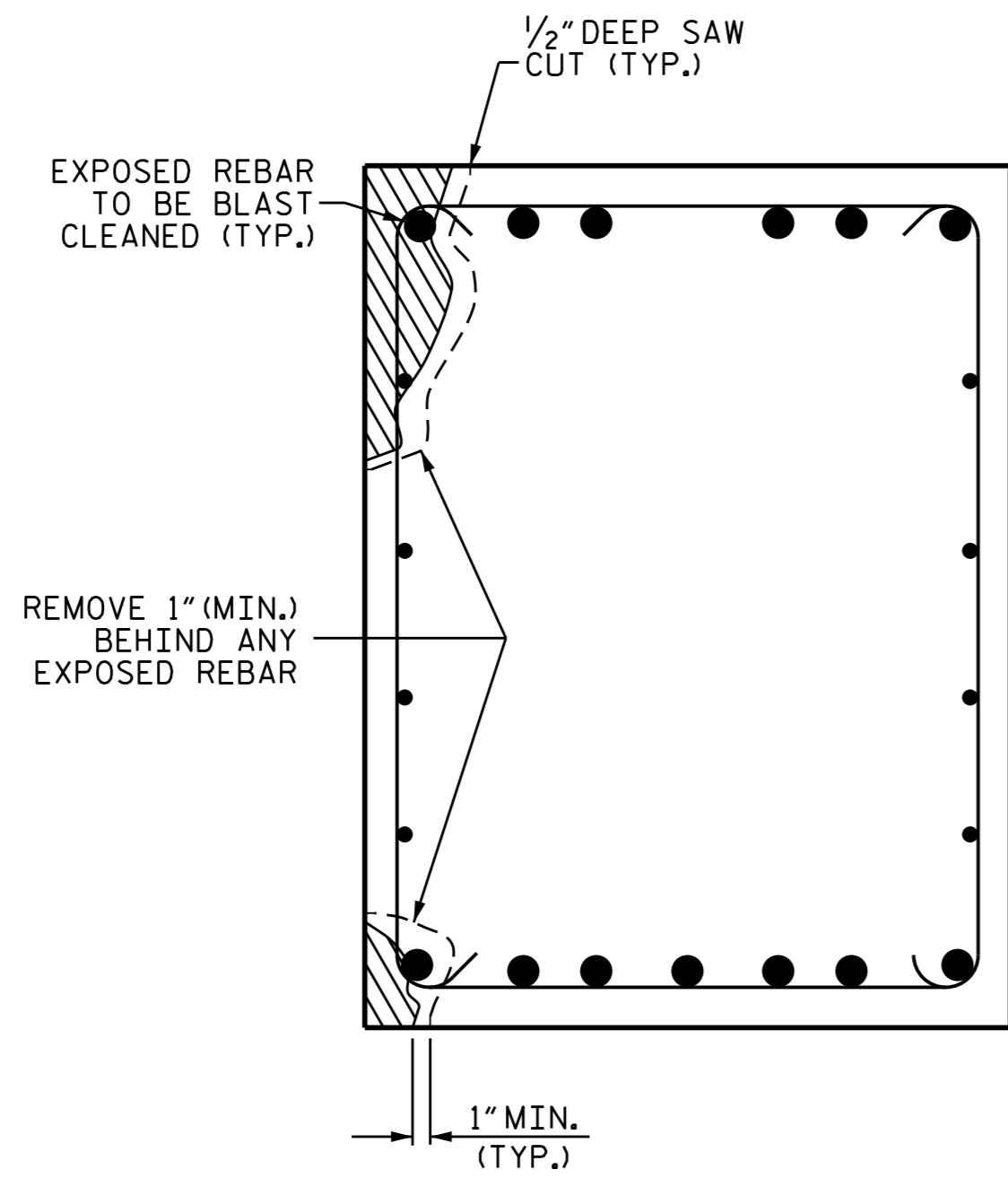


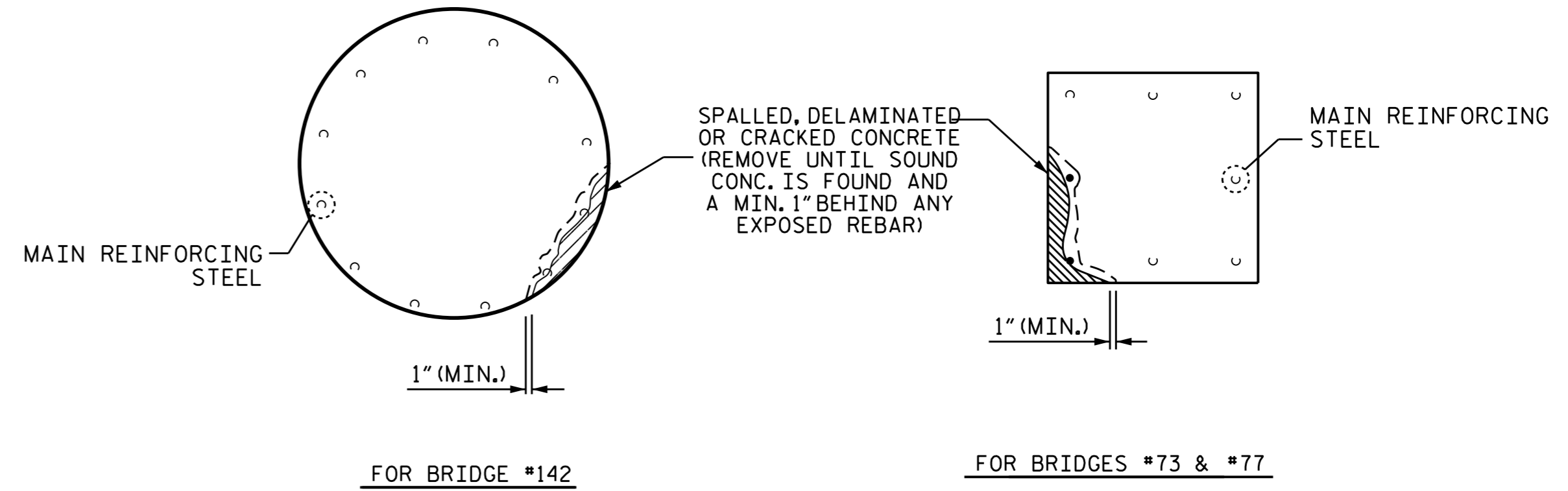
SPALLED, DELAMINATED OR CRACKED CONCRETE (REMOVE UNTIL SOUND CONC. IS FOUND AND A MIN. 1" BEHIND ANY EXPOSED REBAR) (TYP.)



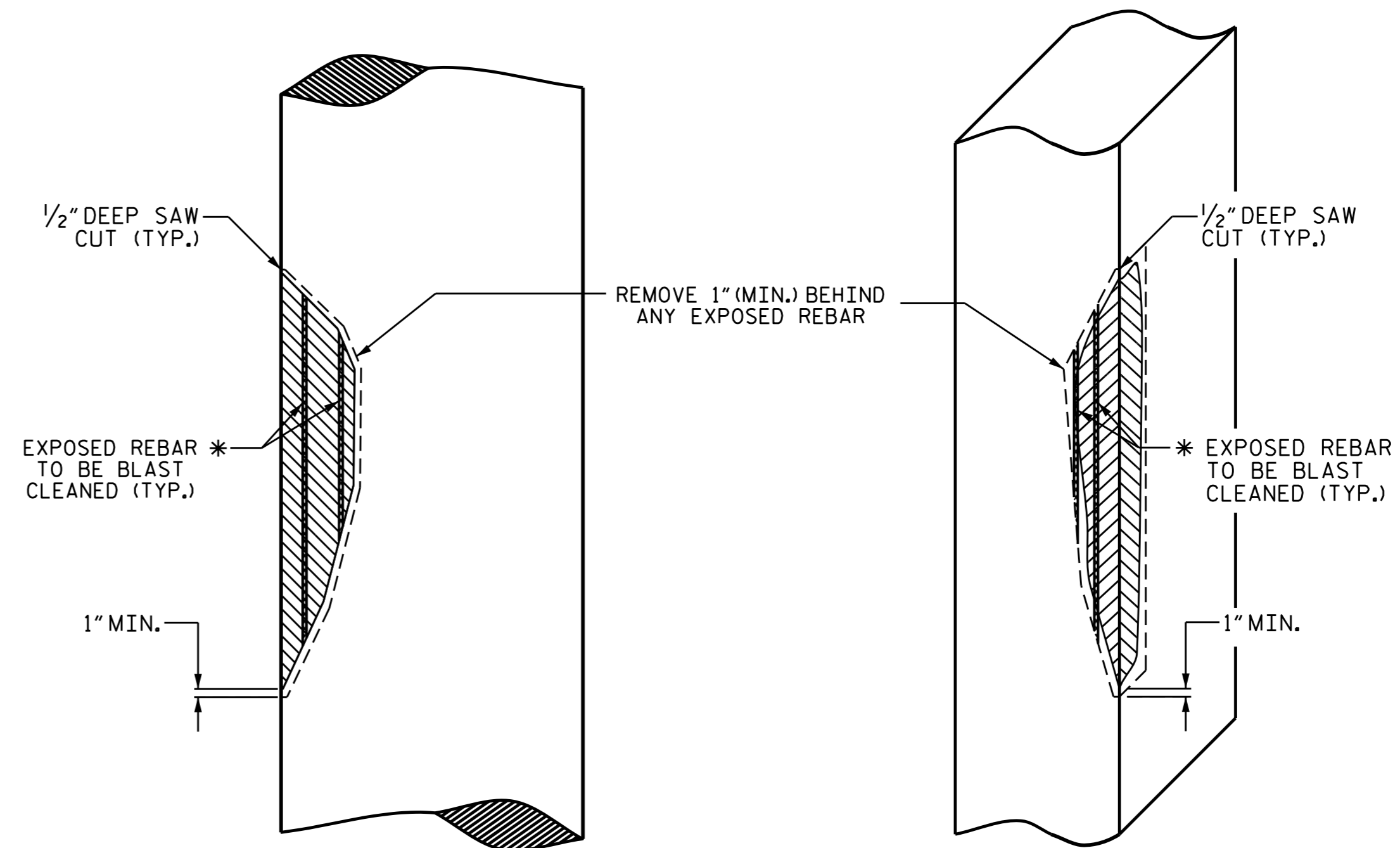
BENT CAP REPAIRS



CAP REPAIR SECTION THRU CAP



PLAN

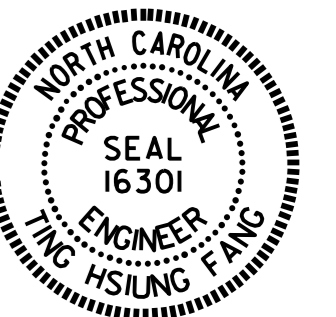


\* DUE TO LACK OF CONFINEMENT, STEEL REPAIR LENGTH SHALL NOT EXCEED 10 FEET.

ELEVATION

COLUMN REPAIR

SQUARE AND ROUND COLUMNS SHOWN, OTHER SHAPES OF COLUMN SIMILAR



DocuSigned by:  
Ting H. Fang  
E7208605077435

1/28/2016

PROJECT NO. I-5788  
CUMBERLAND & HARNETT COUNTY  
BRIDGE NO.: 142, 157, 158  
73 & 77

STATE OF NORTH CAROLINA  
DEPARTMENT OF TRANSPORTATION  
RALEIGH

TYPICAL  
CAP AND COLUMN  
REPAIR DETAILS

DRAWN BY : A. SORSENGINH DATE : 10/26/15  
CHECKED BY : S. B. WILLIAMS DATE : 10/30/15

REVISIONS						SHEET NO.
NO.	BY:	DATE:	NO.	BY:	DATE:	S-72
1			3			TOTAL SHEETS
2			4			72

NC005