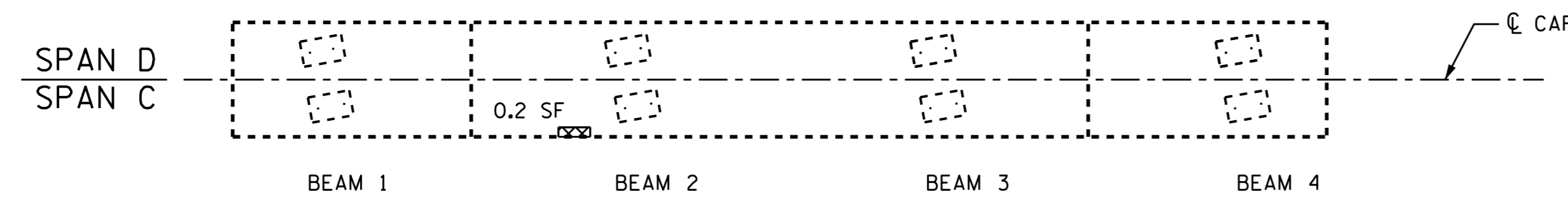


NOTE:

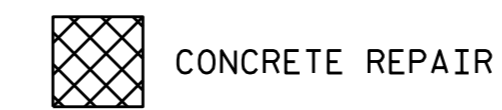
REPAIR LOCATIONS AND ESTIMATE OF QUANTITIES ARE GIVEN WITH THE BEST INFORMATION AVAILABLE. IF ADDITIONAL REPAIRS NOT SHOWN ON THE DRAWINGS ARE DEEMED NECESSARY BY THE ENGINEER, THE ENGINEER SHALL NOTE ON THE DRAWINGS THE APPROXIMATE LOCATION AND DESCRIPTION OF THE REPAIRS AND ADJUST THE ACTUAL QUANTITIES ENTERED INTO THE REPAIR QUANTITY TABLE.

FOR STRUCTURE REPAIRS, SEE "TYPICAL CAP AND COLUMN REPAIR DETAILS" SHEET S-72.

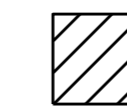
EPOXY COATING SHALL BE APPLIED TO THE TOP FACE OF THE BENT CAP.



TOP OF CAP

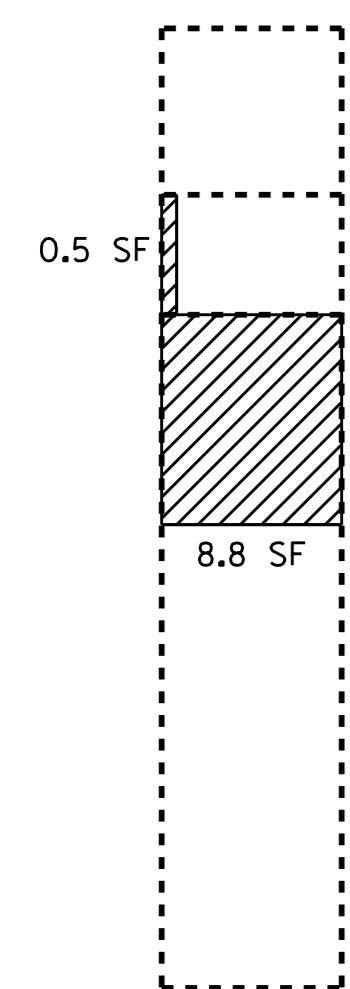


CONCRETE REPAIR



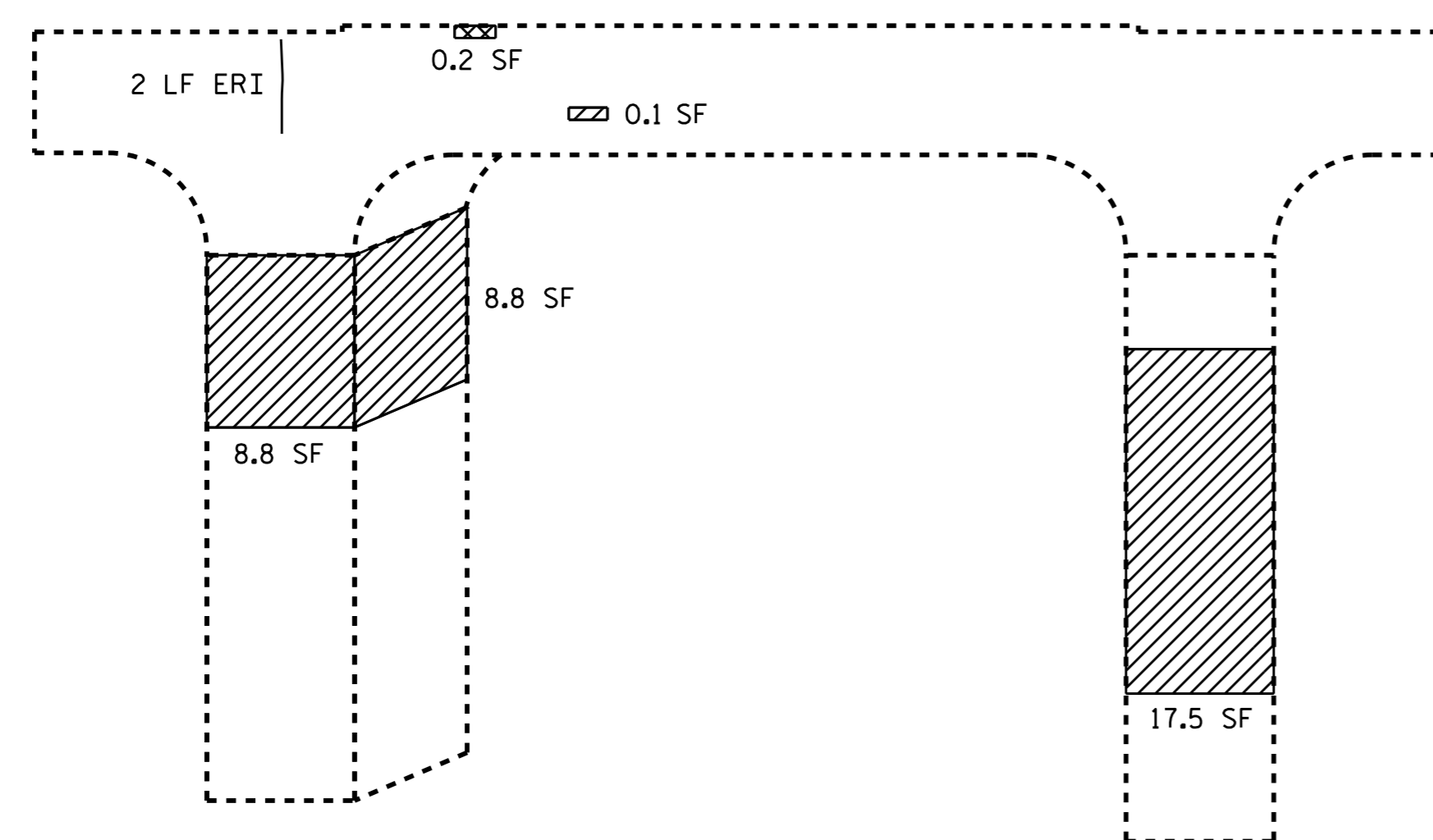
SHOTCRETE REPAIR

ERI - EPOXY RESIN INJECTION



COL 1

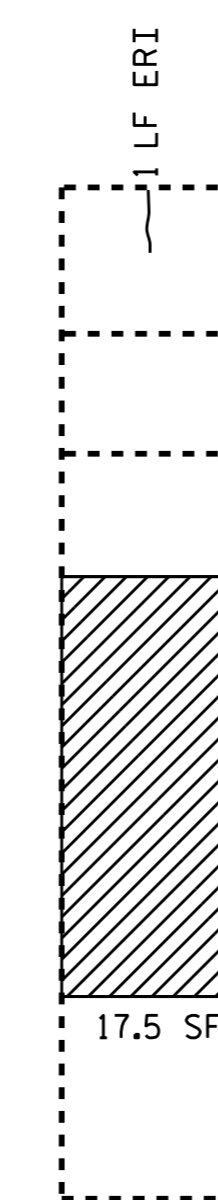
END VIEW
WEST FACE



COL 1

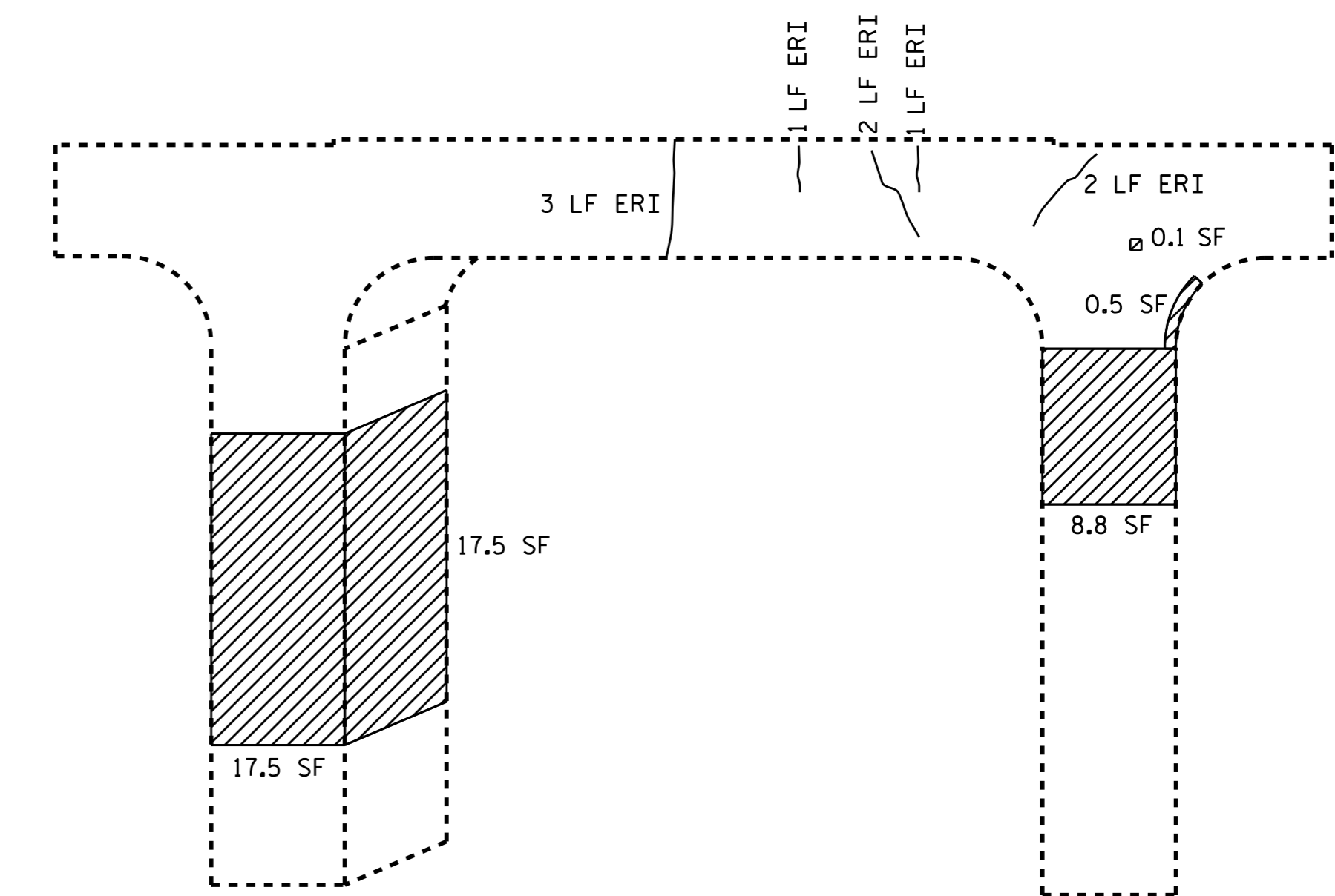
COL 2

ELEVATION
SOUTH FACE



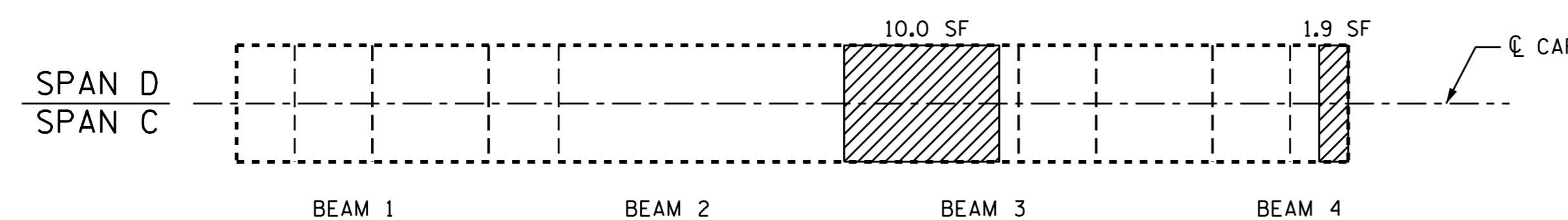
COL 2

END VIEW
EAST FACE



COL 1

ELEVATION
NORTH FACE



BOTTOM OF CAP

REPAIR QUANTITY TABLE

REPAIRS BENT 3	QUANTITIES			
	ESTIMATE		ACTUAL	
	AREA SF.	VOLUME CF.	AREA SF.	VOLUME CF.
SHOTCRETE REPAIRS				
CAP (VERTICAL FACE)	1.2	0.3		
CAP (HORIZONTAL FACE)	11.9	3.0		
COLUMN (VERTICAL FACE)	105.2	26.3		
CONCRETE REPAIRS	0.4	0.1		
EPOXY RESIN INJECTION		LN. FT.		LN. FT.
CAP		12.0		
COLUMN				
EPOXY COATING		SO. FT.		SO. FT.
TOP OF CAP		80.2		

VALUES IN CHART REPRESENT ESTIMATED REPAIR TOTALS AFTER REMOVAL OF UNSOUND CONCRETE, MIN. OF 1" BEHIND REBAR AND MIN. 1" CL TO SAWCUT. SEE REPAIR DETAILS.

PROJECT NO. I-5788
HARNETT COUNTY
 BRIDGE NO.: 77

SHEET 4 OF 4



DocuSigned by:
Ting Hsiung Fang
E72088400977435

1/28/2016

STATE OF NORTH CAROLINA
 DEPARTMENT OF TRANSPORTATION
 RALEIGH
SUBSTRUCTURE REPAIR
BENT 3
SBL

REVISIONS						SHEET NO.
NO.	BY:	DATE:	NO.	BY:	DATE:	S-71
1			3			TOTAL SHEETS
2			4			72

DRAWN BY : A. SORSENGINH DATE : 11/3/15
 CHECKED BY : S. B. WILLIAMS DATE : 11/5/15