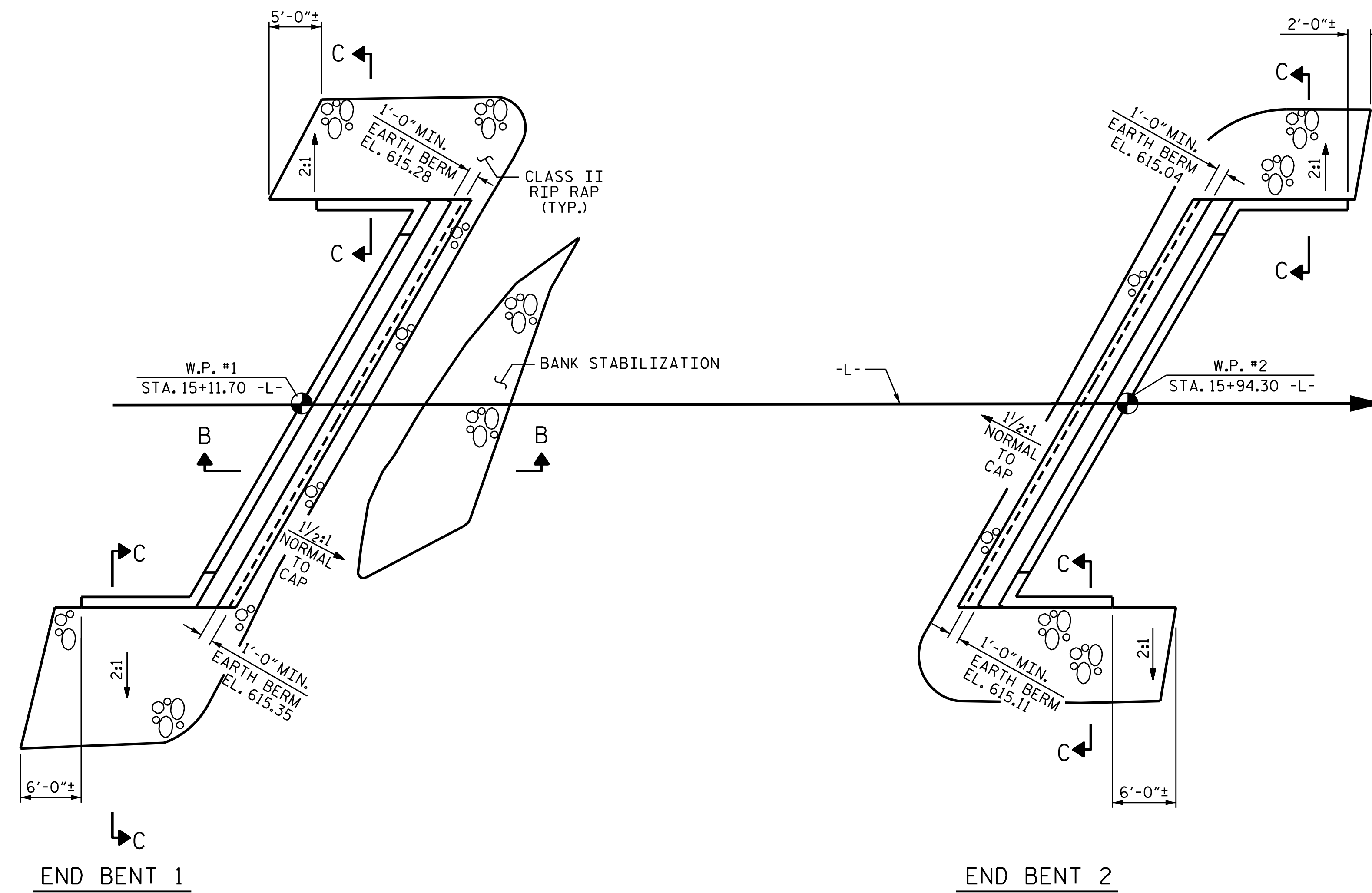


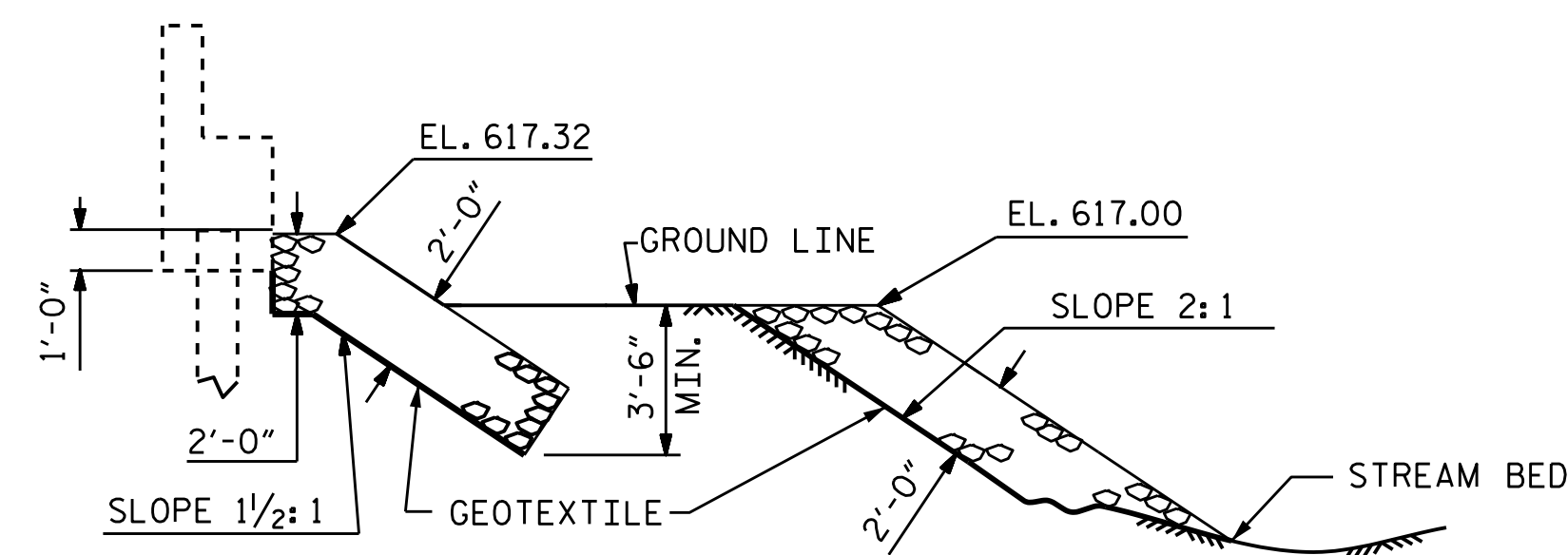
ESTIMATED QUANTITIES

BRIDGE @ STA. 15+53.00 -L-	RIP RAP CLASS II (2'-0" THICK)	GEOTEXTILE FOR DRAINAGE
	TONS	SQUARE YARDS
END BENT 1	90	100
BANK STABILIZATION NEAR END BENT 1	30	35
END BENT 2	80	90

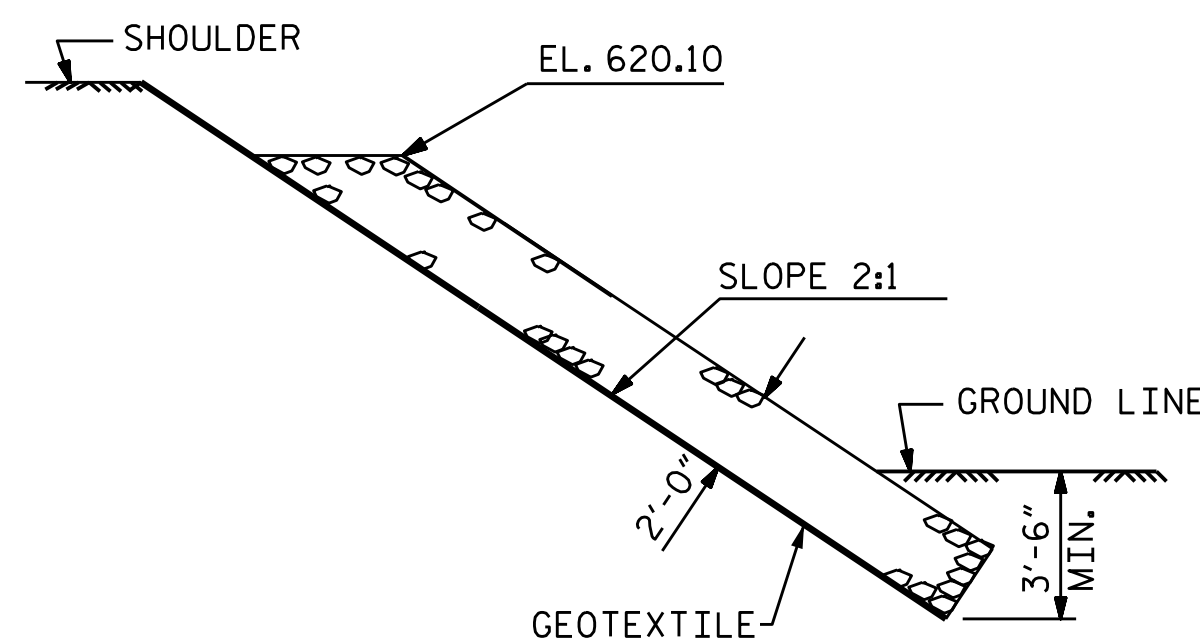
END BENT 1 QUANTITIES IN TOTAL BILL OF MATERIAL INCLUDES BANK STABILIZATION QUANTITIES.



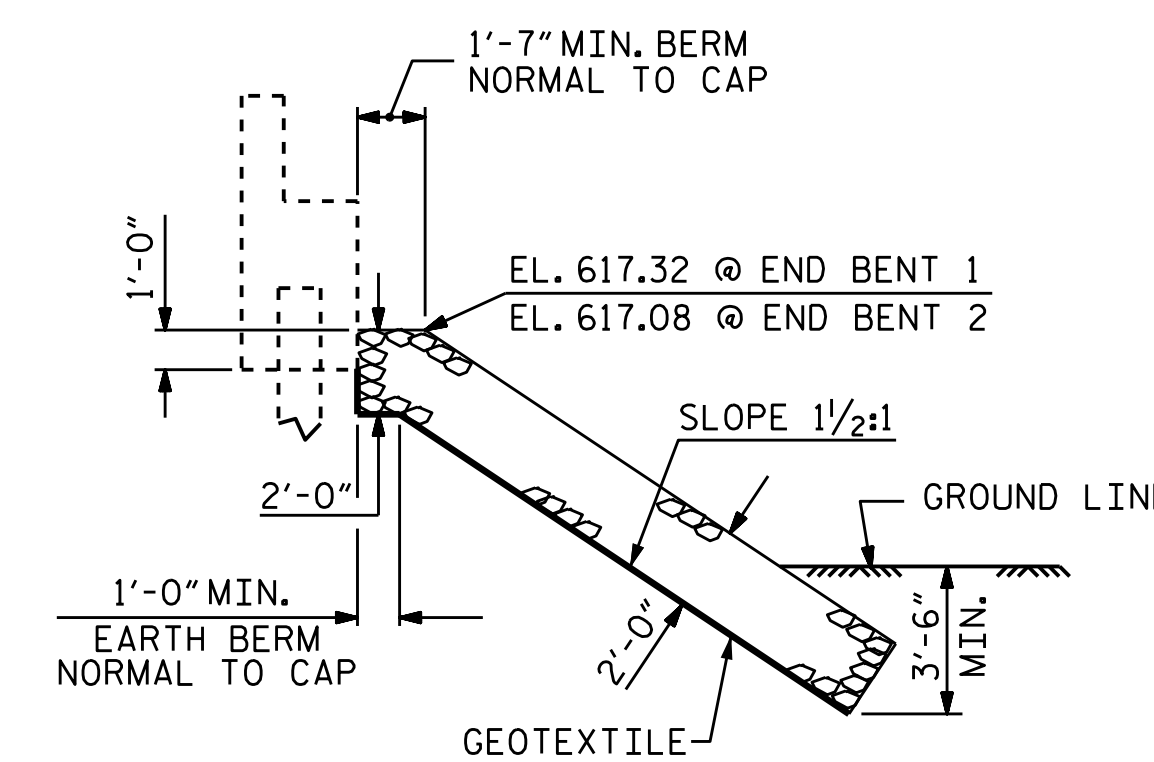
PLAN



SECTION B-B



SECTION C-C



SECTION C-C BERM RIP RAPPED

PROJECT NO. B-4751
GASTON COUNTY
 STATION: 15+53.00 -L-



STATE OF NORTH CAROLINA		DEPARTMENT OF TRANSPORTATION		RALEIGH		STANDARD		= RIP RAP DETAILS =	
REVISIONS									
NO.	BY:	DATE:	NO.	BY:	DATE:	SHEET NO.			
1			3			5-18			
2			4			TOTAL SHEETS 19			

DOCUMENT NOT CONSIDERED FINAL UNLESS ALL SIGNATURES COMPLETED

ASSEMBLED BY : N.D'AIUTO DATE : 1/29/15
 CHECKED BY : T.H.CARROLL DATE : 3/6/15
 DRAWN BY : REK 1/84 REV. 5/1/06R TLA/GM
 CHECKED BY : RDU 1/84 REV. 10/1/11 MAA/GM
 REV. 12/21/11 MAA/GM