

14+50

15+00

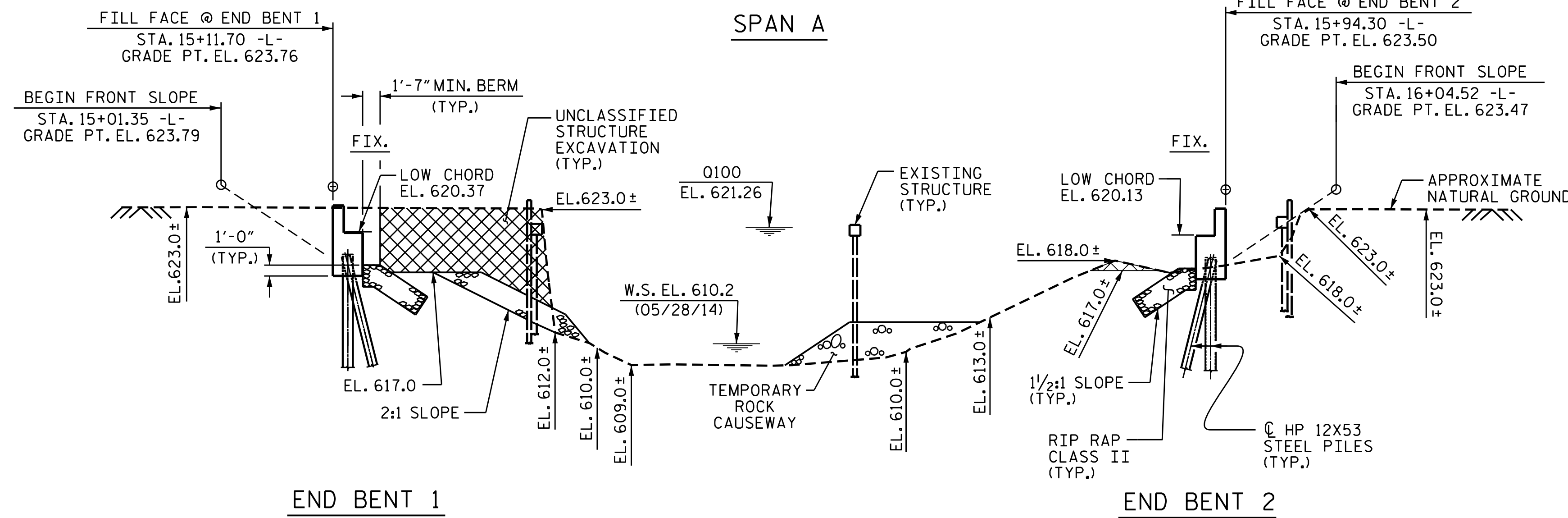
15+50

16+00

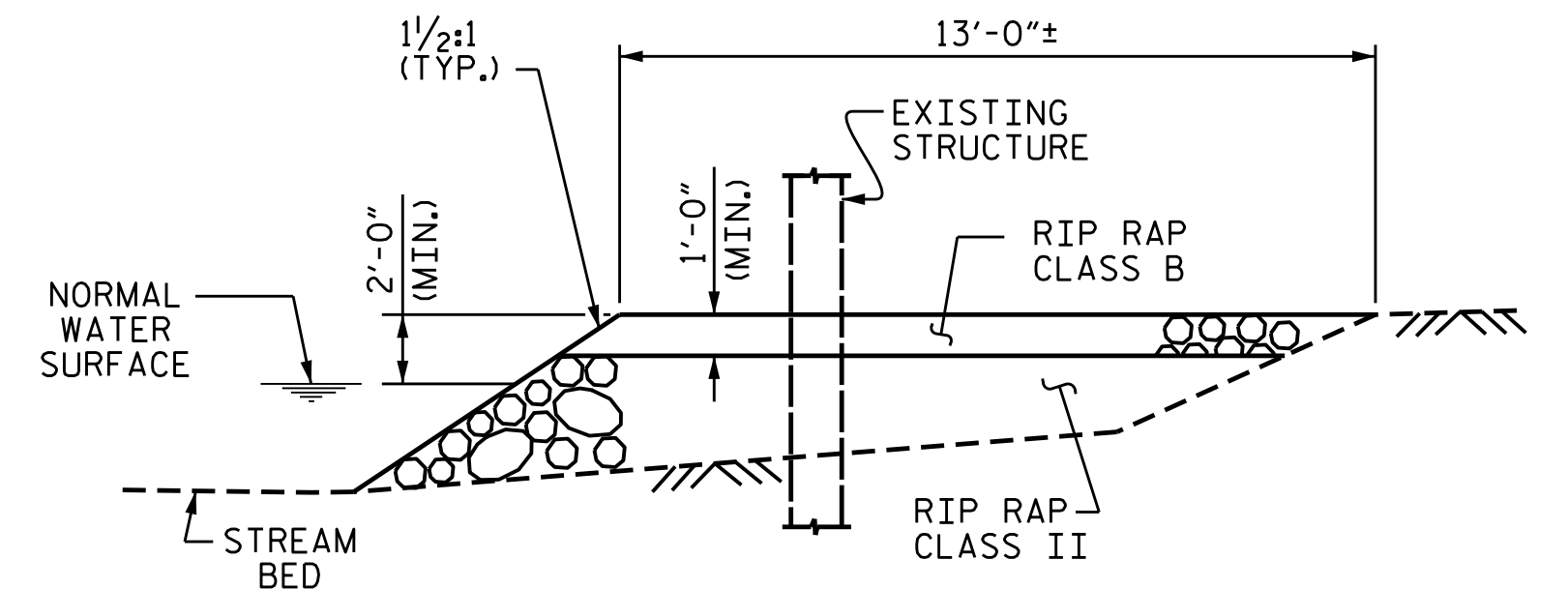
### GRADE DATA

+0.1250% -0.3148%

PI = 14+30.00 -L-  
EL = 624.02  
L = 160'



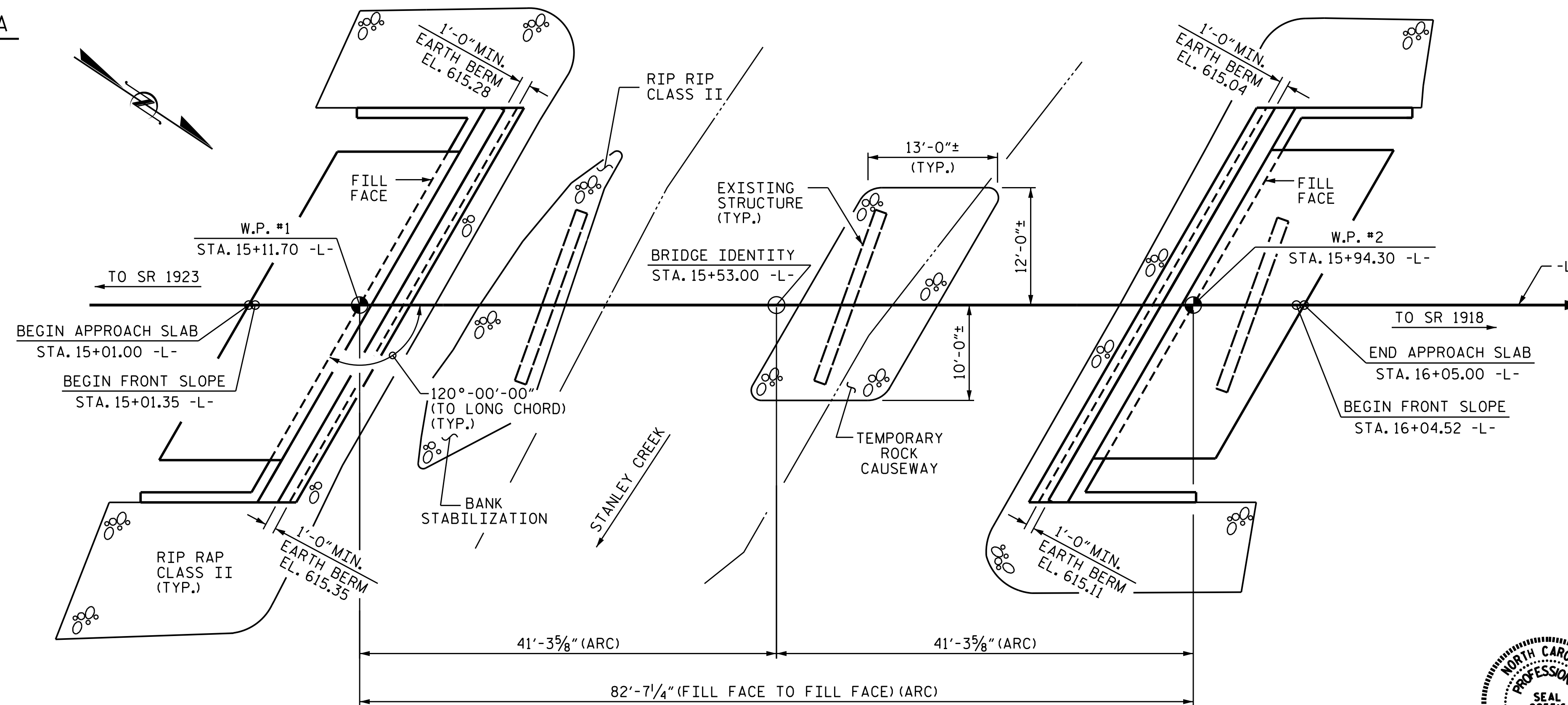
SECTION ALONG -L-  
(SECTION TAKEN AT RIGHT ANGLE TO END BENTS)



TEMPORARY  
ROCK CAUSEWAY

### HORIZONTAL CURVE DATA

P.I. STA. = 14+15.70 -L-  
Δ = 1°-53'-46.5" (RT.)  
D = 0°-27'-30.1"  
L = 413.70'  
T = 206.87'  
R = 12,500.00'



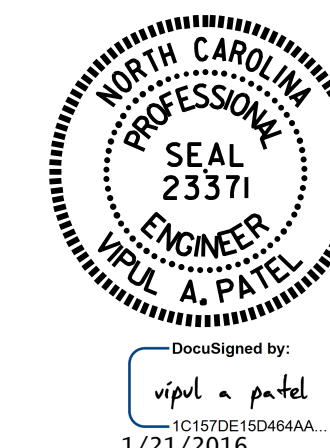
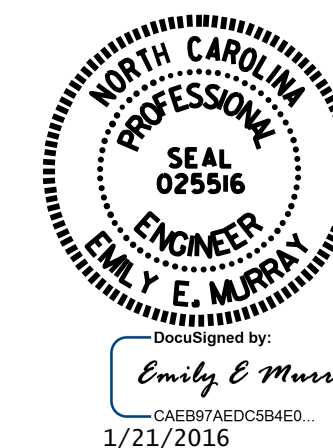
PLAN  
(PILES NOT SHOWN FOR CLARITY)

I HEREBY CERTIFY THESE PLANS  
ARE THE AS-BUILT PLANS

PROJECT NO. B-4751  
GASTON COUNTY  
STATION: 15+53.00 -L-

SHEET 1 OF 3 REPLACES BRIDGE NO. 203

STATE OF NORTH CAROLINA  
DEPARTMENT OF TRANSPORTATION  
RALEIGH  
GENERAL DRAWING  
FOR BRIDGE OVER STANLEY  
CREEK ON SR 1935  
(WILLOWSIDE DR.) BETWEEN  
SR 1918 AND SR 1923



DRAWN BY : N.D'AIUTO DATE : 1/29/15  
CHECKED BY : T.H.CARROLL DATE : 3/6/15  
DESIGN ENGINEER OF RECORD: N.D'AIUTO DATE : 3/6/15

DOCUMENT NOT CONSIDERED  
FINAL UNLESS ALL  
SIGNATURES COMPLETED

REVISIONS						SHEET NO.
NO.	BY:	DATE:	NO.	BY:	DATE:	S-1
1			3			TOTAL SHEETS
2			4			19