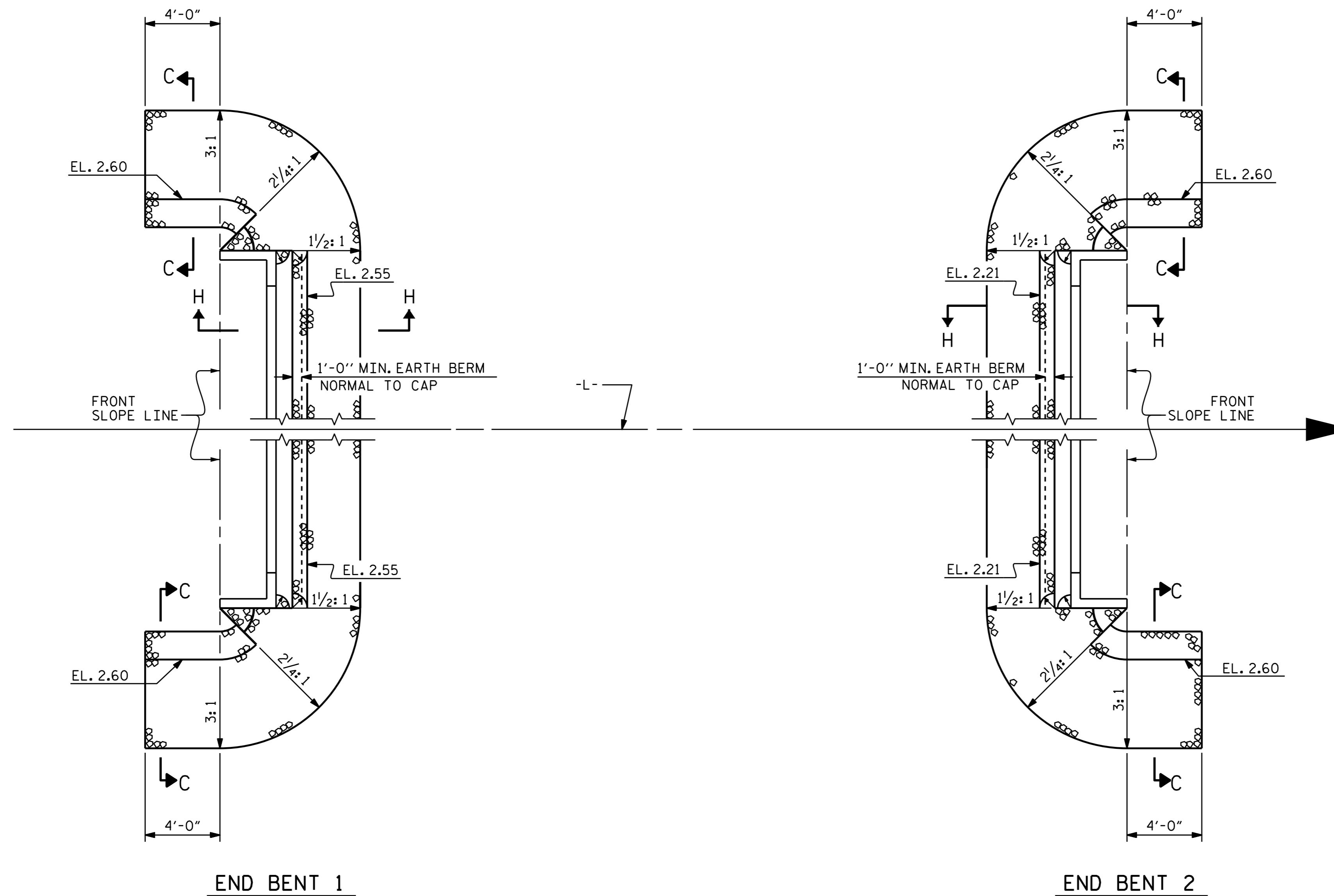
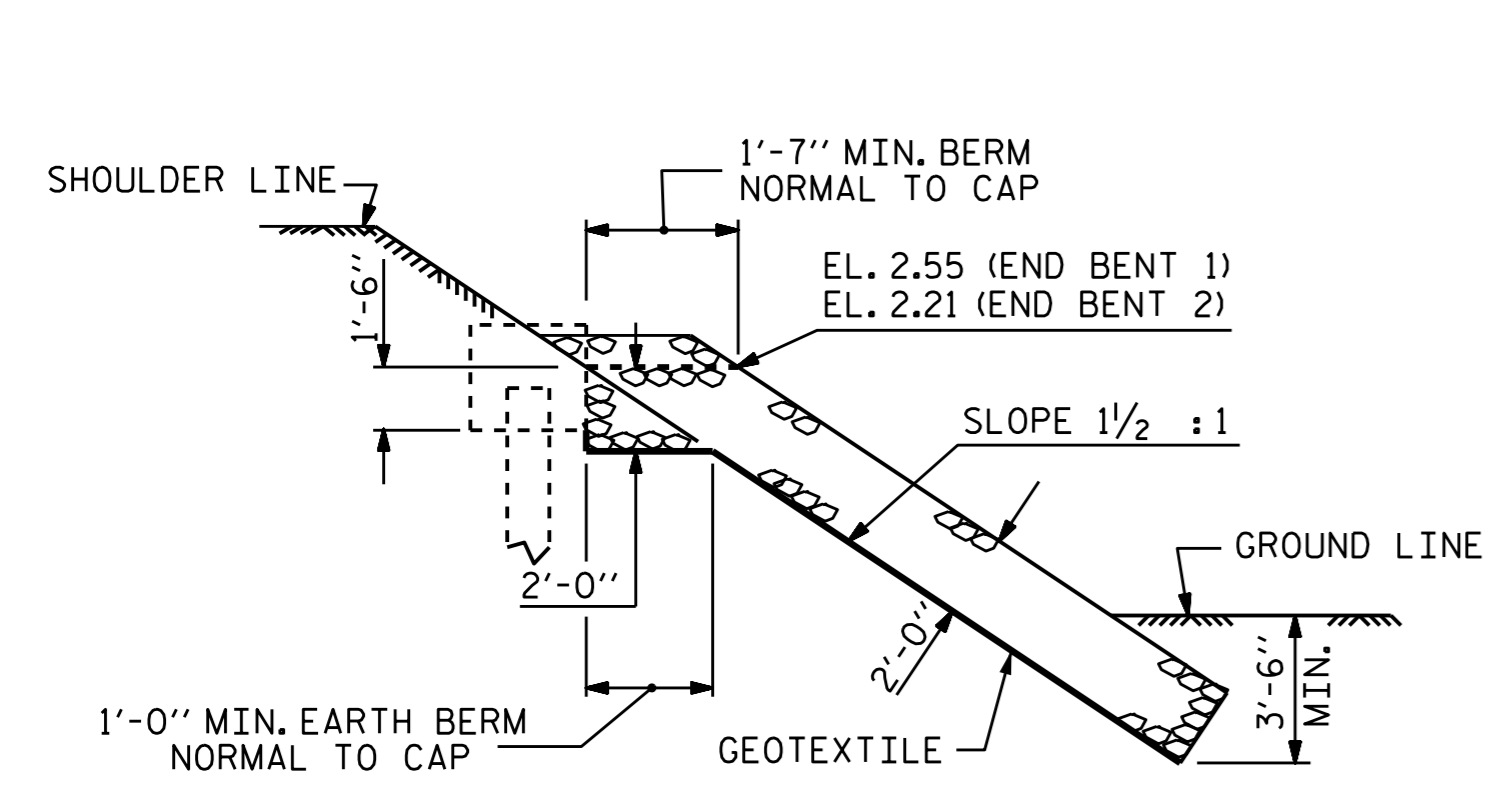


NOTES :  
FOR BERM WIDTH DIMENSIONS, SEE GENERAL DRAWING.

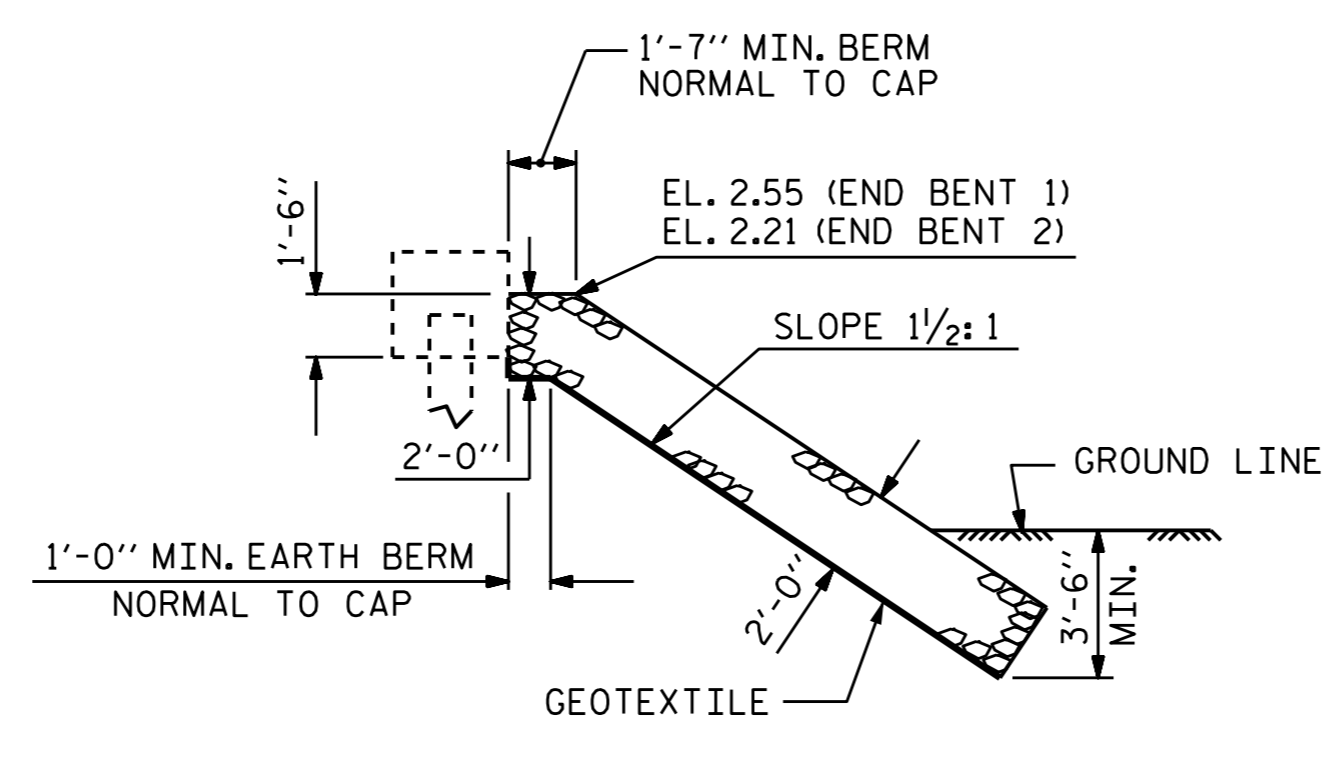


PLAN

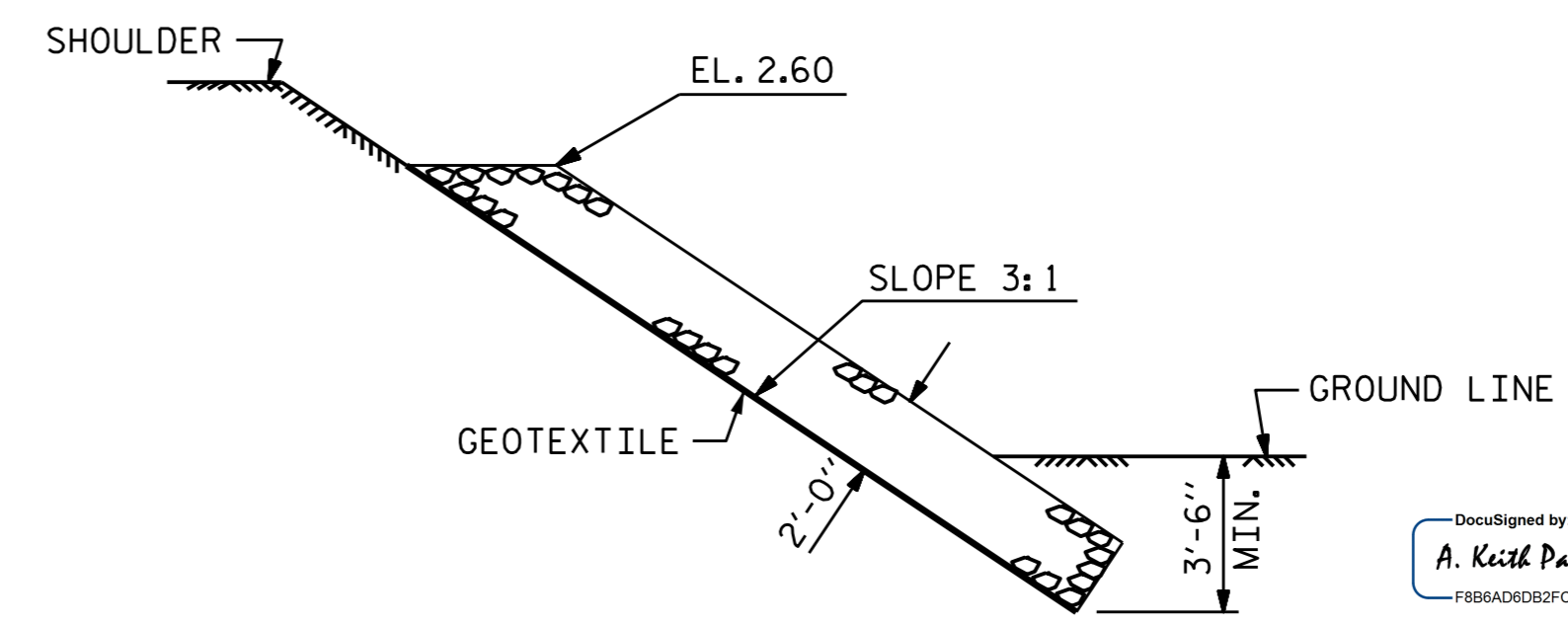
ESTIMATED QUANTITIES		
BRIDGE @ STA. 18+77.50 -L-	RIP RAP CLASS II (2'-0" THICK)	GEOTEXTILE FOR DRAINAGE
	TONS	SQUARE YARDS
END BENT 1	60	67
END BENT 2	57	64



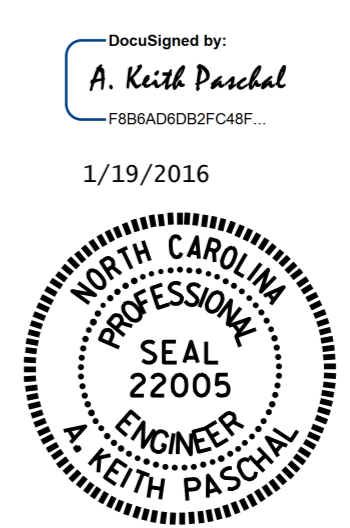
SECTION H-H



SECTION C-C  
BERM RIP RAPPED



SECTION C-C



PROJECT NO. B-5300  
BEAUFORT COUNTY  
STATION: 18+77.50 -L-

STATE OF NORTH CAROLINA  
DEPARTMENT OF TRANSPORTATION  
RALEIGH  
STANDARD  
—RIP RAP DETAILS—

ASSEMBLED BY : K. P. SEDAI	DATE : 7/15/15
CHECKED BY : P. N. HOLDER	DATE : 10/9/15
DRAWN BY : REK 1/84	REV. 5/1/06R TLA/GM
CHECKED BY : RDU 1/84	REV. 10/1/11 MAA/GM
	REV. 12/21/11 MAA/GM

DOCUMENT NOT CONSIDERED  
FINAL UNLESS ALL  
SIGNATURES COMPLETED

REVISIONS						SHEET NO. S-27
NO.	BY:	DATE:	NO.	BY:	DATE:	
1			3			TOTAL SHEETS 30
2			4			