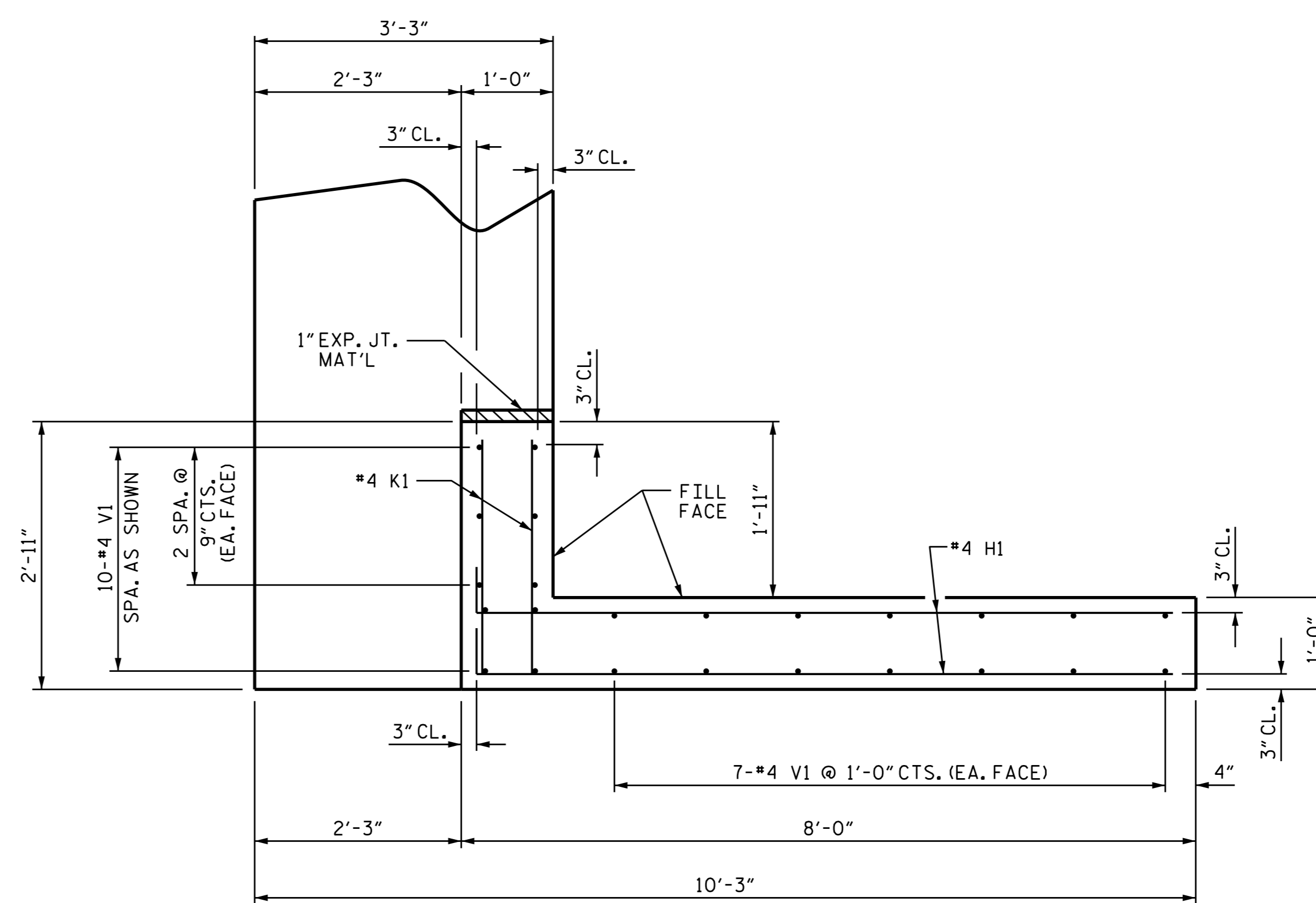
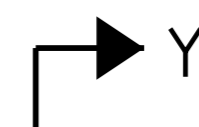
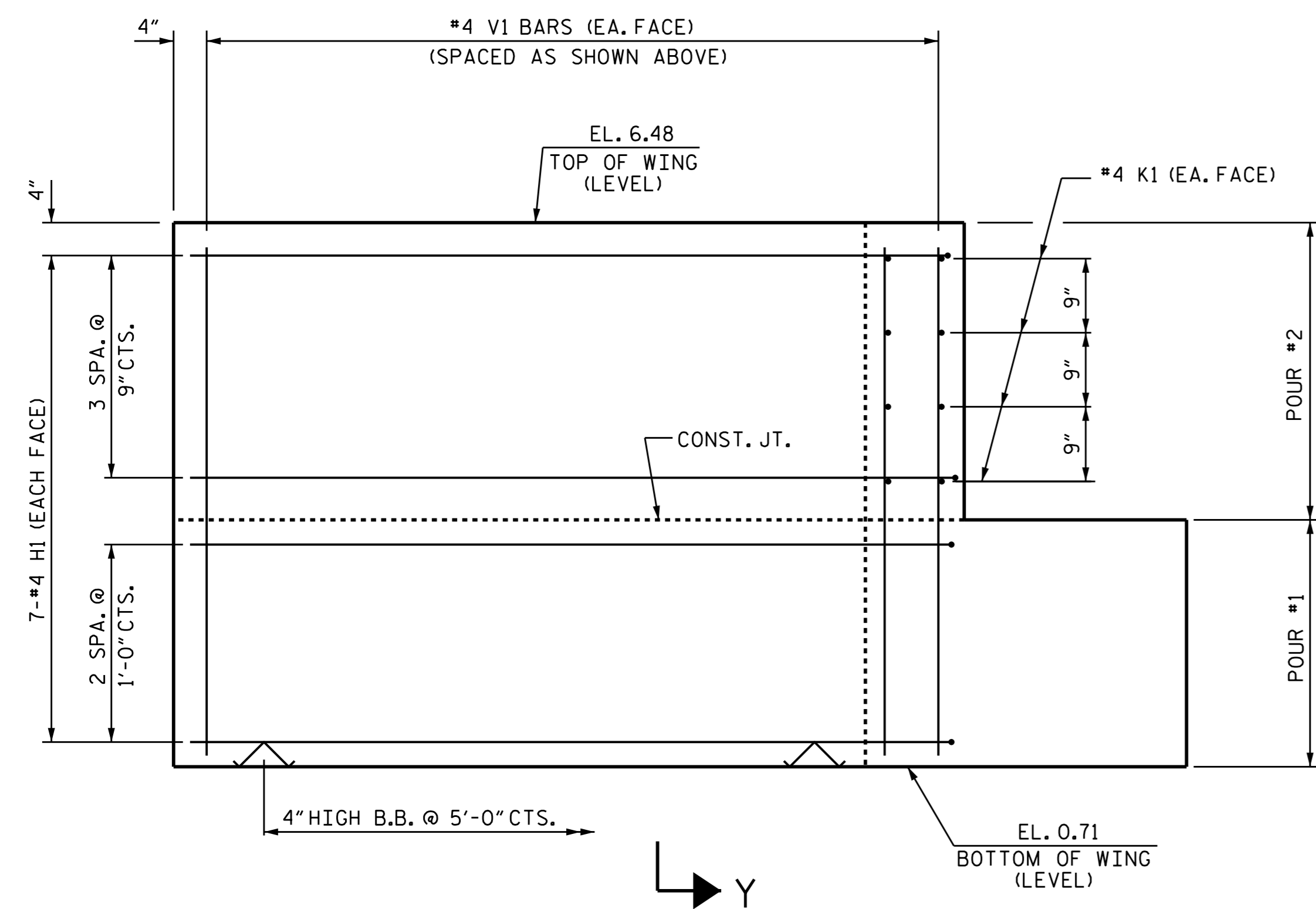
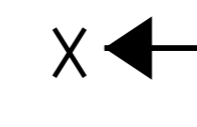


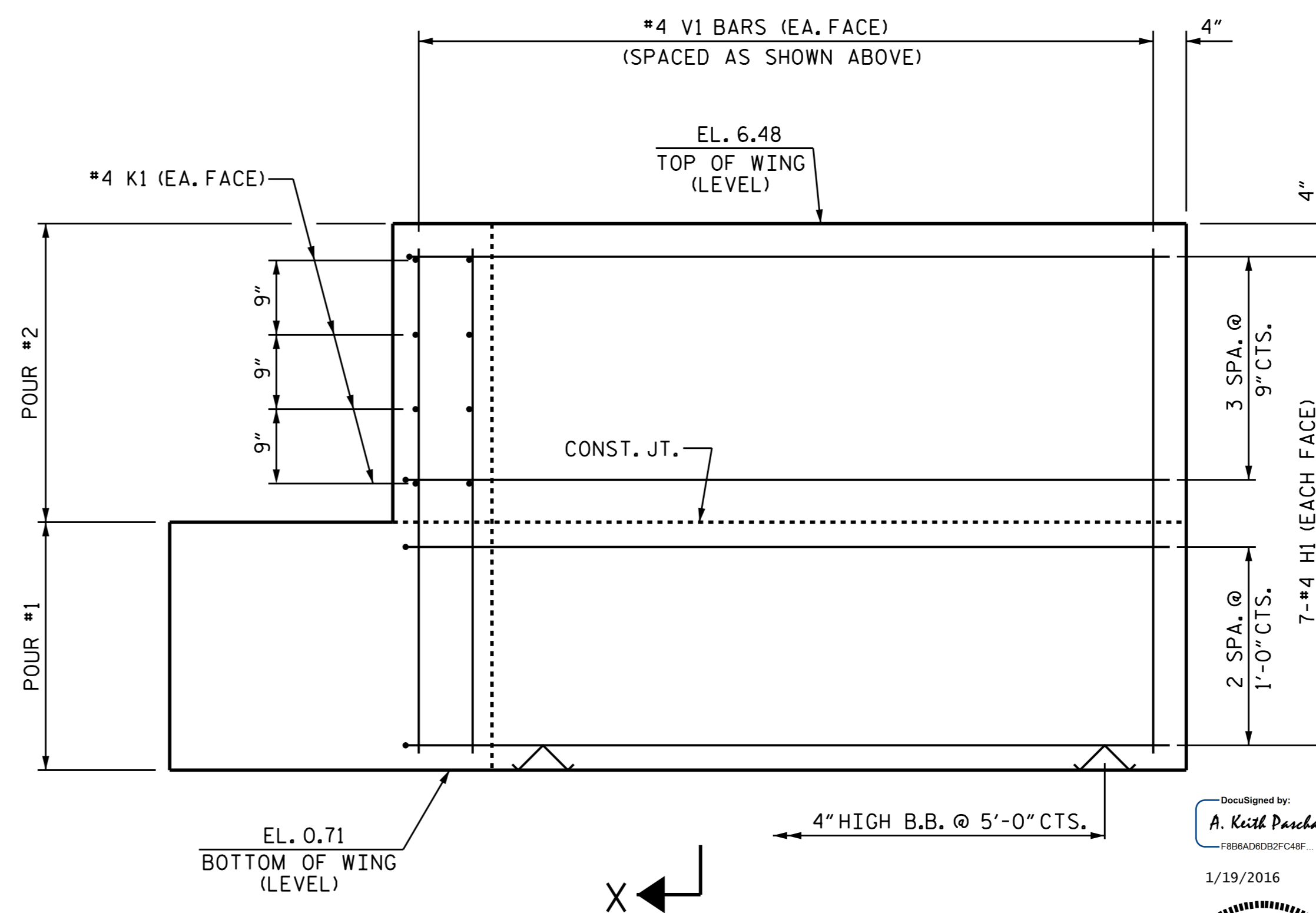
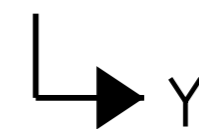
PLAN OF WING (W1)



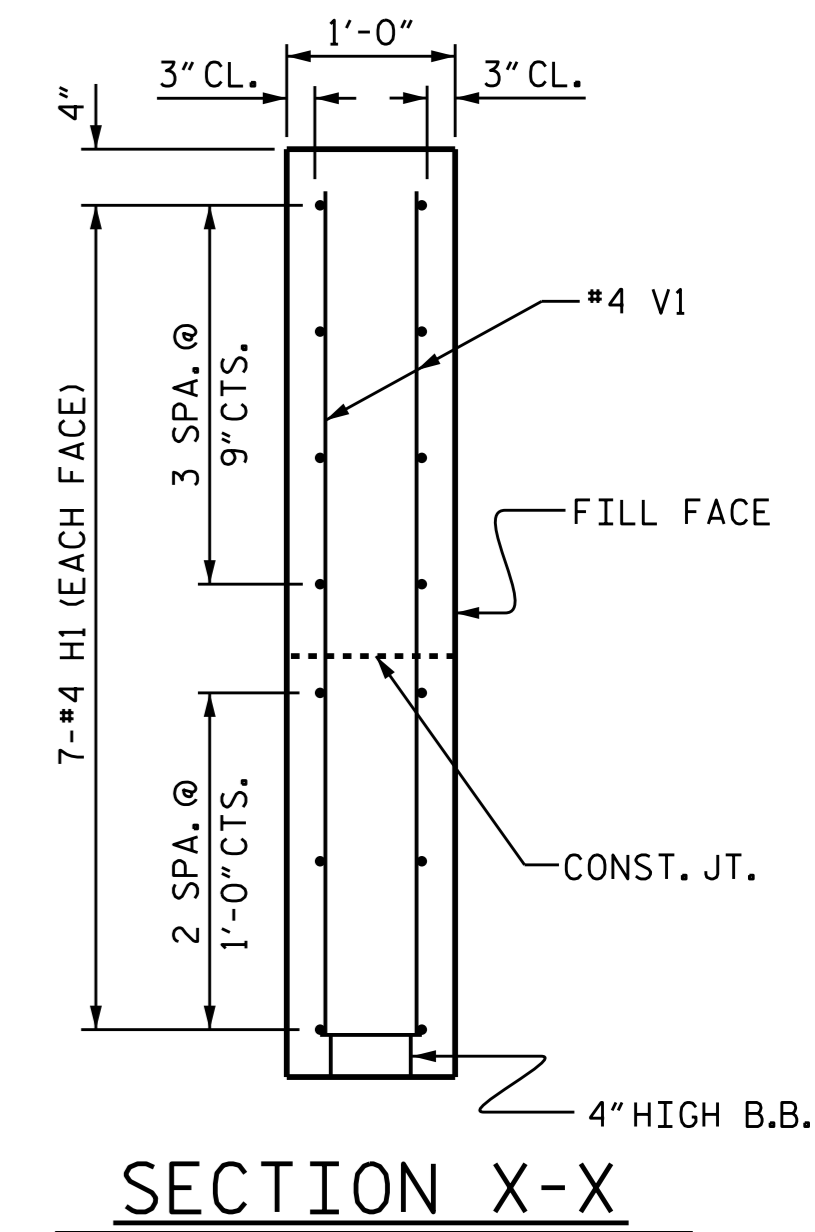
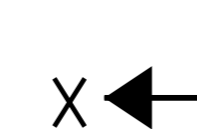
PLAN OF WING (W2)



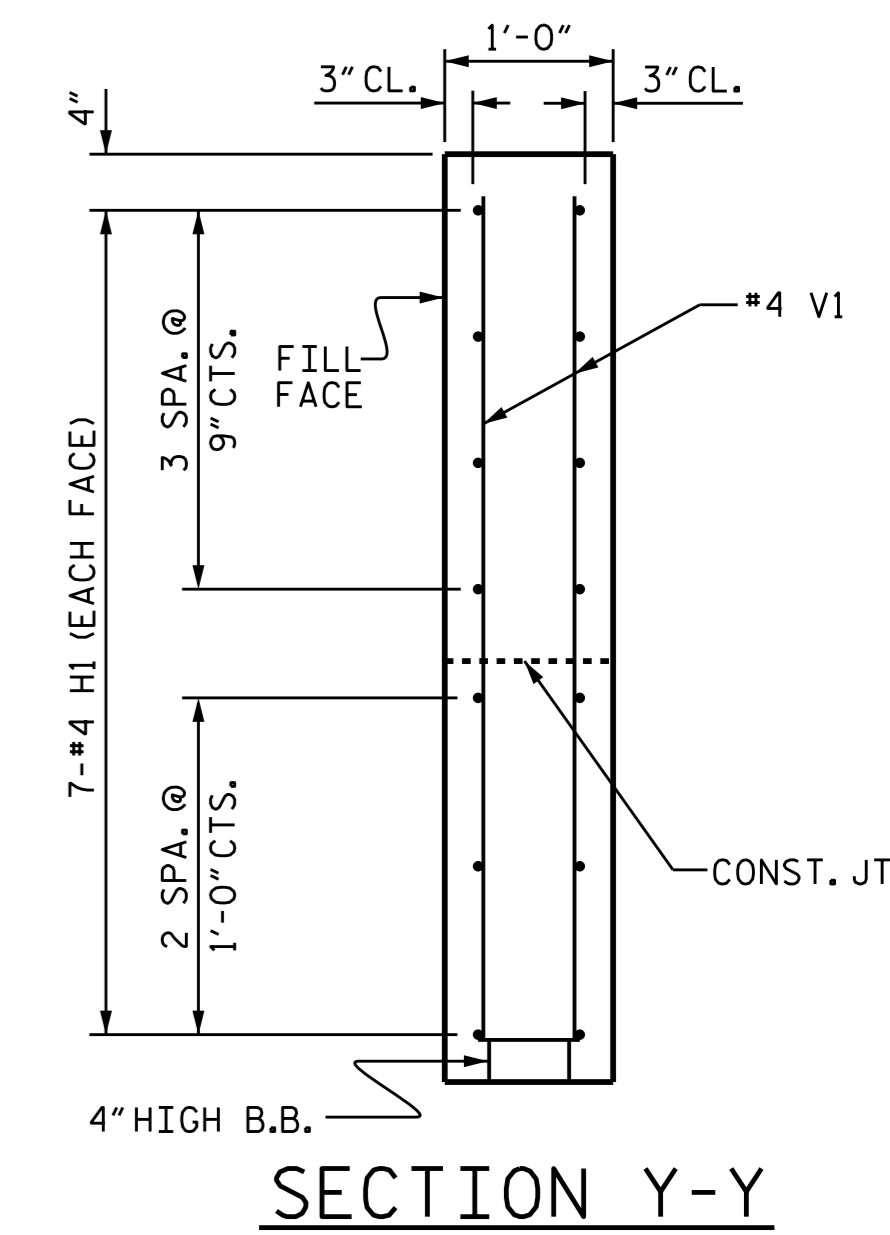
ELEVATION OF WING (W1)



ELEVATION OF WING (W2)



SECTION X-X



SECTION Y-Y

WING DETAILS

DRAWN BY: K. P. SEDAİ DATE: 7/8/15  
 CHECKED BY: P. N. HOLDER DATE: 9/4/15  
 DESIGN ENGINEER OF RECORD: P. N. HOLDER DATE: 9/4/15

19-JAN-2016 13:24  
 R:\Structures\Plans\Final Plans\B-5300\_SMU.EB2.dgn  
 Kpaschal

DOCUMENT NOT CONSIDERED  
 FINAL UNLESS ALL  
 SIGNATURES COMPLETED

DocuSigned by:  
 A. Keith Paschal  
 F86A0D0B2FC48F...

1/19/2016



PROJECT NO. B-5300  
 BEAUFORT COUNTY  
 STATION: 18+77.50 -L-

SHEET 2 OF 3

STATE OF NORTH CAROLINA  
 DEPARTMENT OF TRANSPORTATION  
 RALEIGH

SUBSTRUCTURE  
 END BENT 2

REVISIONS						SHEET NO. S-24
NO.	BY:	DATE:	NO.	BY:	DATE:	
1			3			TOTAL SHEETS 30
2			4			