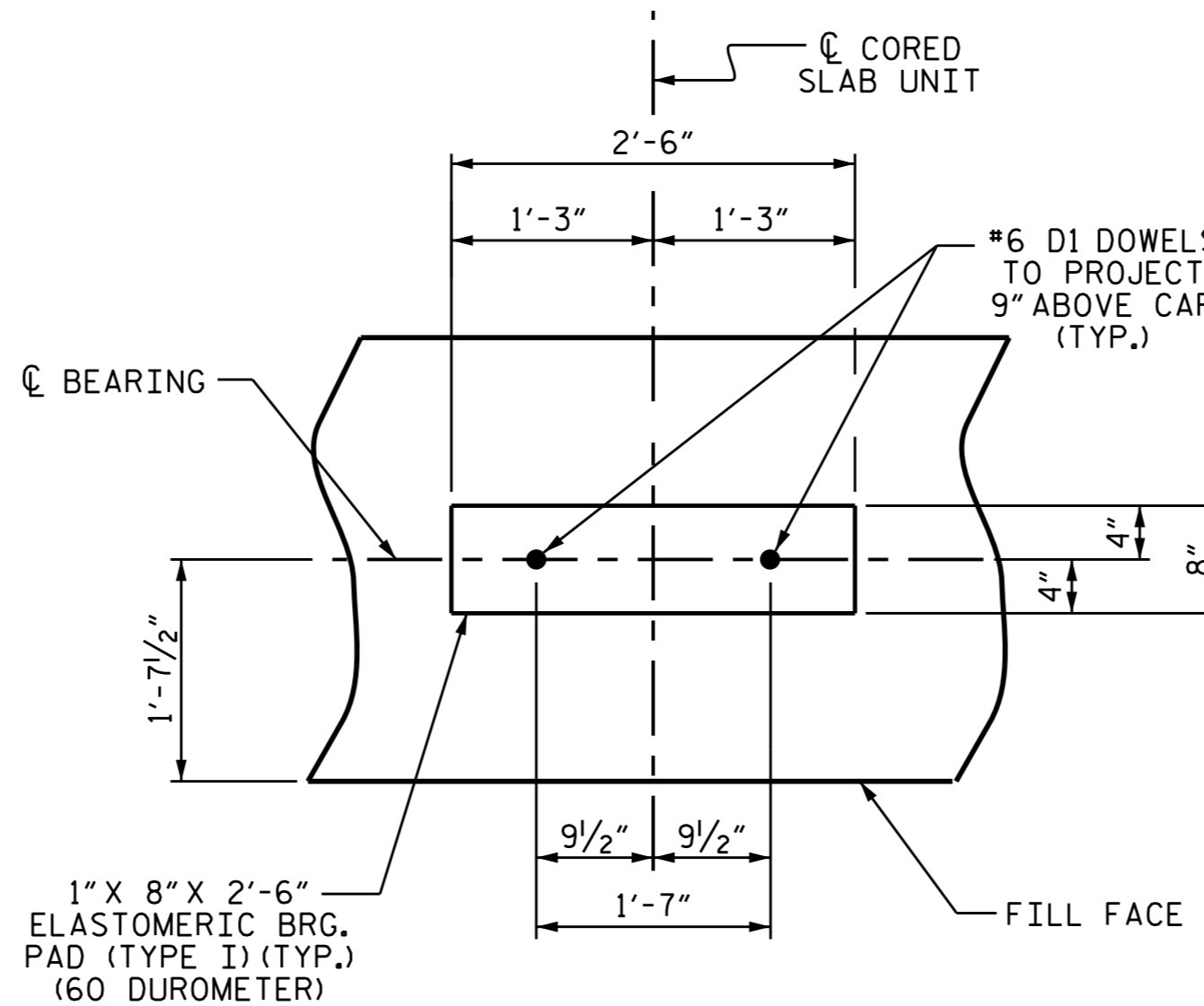


BAGGED STONE AND PIPE SHALL BE PLACED IMMEDIATELY AFTER COMPLETION OF END BENT EXCAVATION. PIPE MAY BE EITHER CONCRETE, CORRUGATED STEEL, CORRUGATED ALUMINUM ALLOY, OR CORRUGATED PLASTIC. PERFORATED PIPE WILL NOT BE ALLOWED.

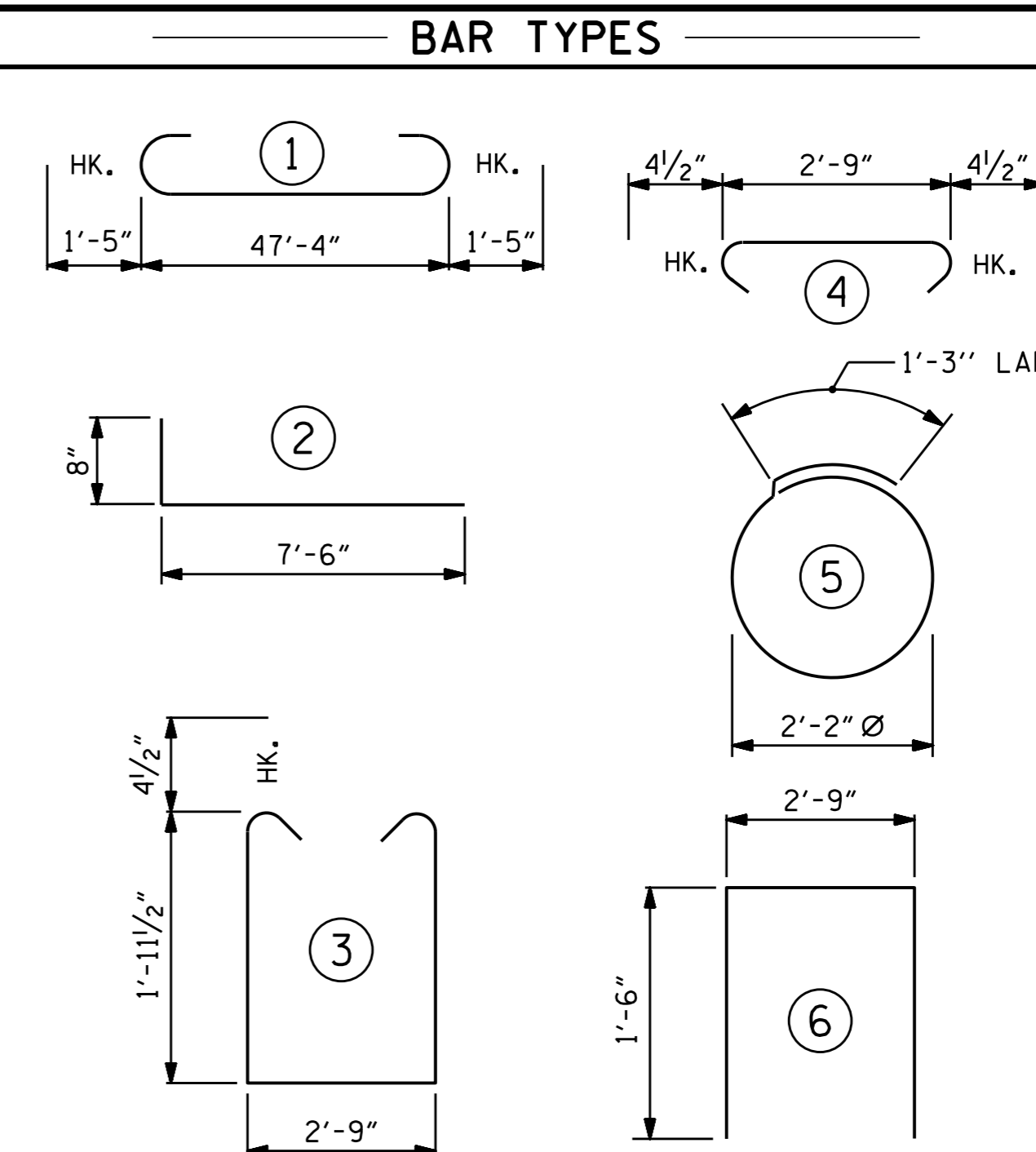
BAGGED STONE SHALL REMAIN IN PLACE UNTIL THE ENGINEER DIRECTS THAT IT BE REMOVED. THE CONTRACTOR SHALL REMOVE AND DISPOSE OF SILT ACCUMULATIONS AT BAGGED STONE WHEN SO DIRECTED BY THE ENGINEER. BAGS SHALL BE REMOVED AND REPLACED WHENEVER THE ENGINEER DETERMINES THAT THEY HAVE DETERIORATED AND LOST THEIR EFFECTIVENESS.

NO SEPARATE PAYMENT WILL BE MADE FOR THIS WORK AND THE ENTIRE COST OF THIS WORK SHALL BE INCLUDED IN THE UNIT CONTRACT PRICE BID FOR THE SEVERAL PAY ITEMS.

**TEMPORARY DRAINAGE AT END BENT**



**DETAIL "A"**



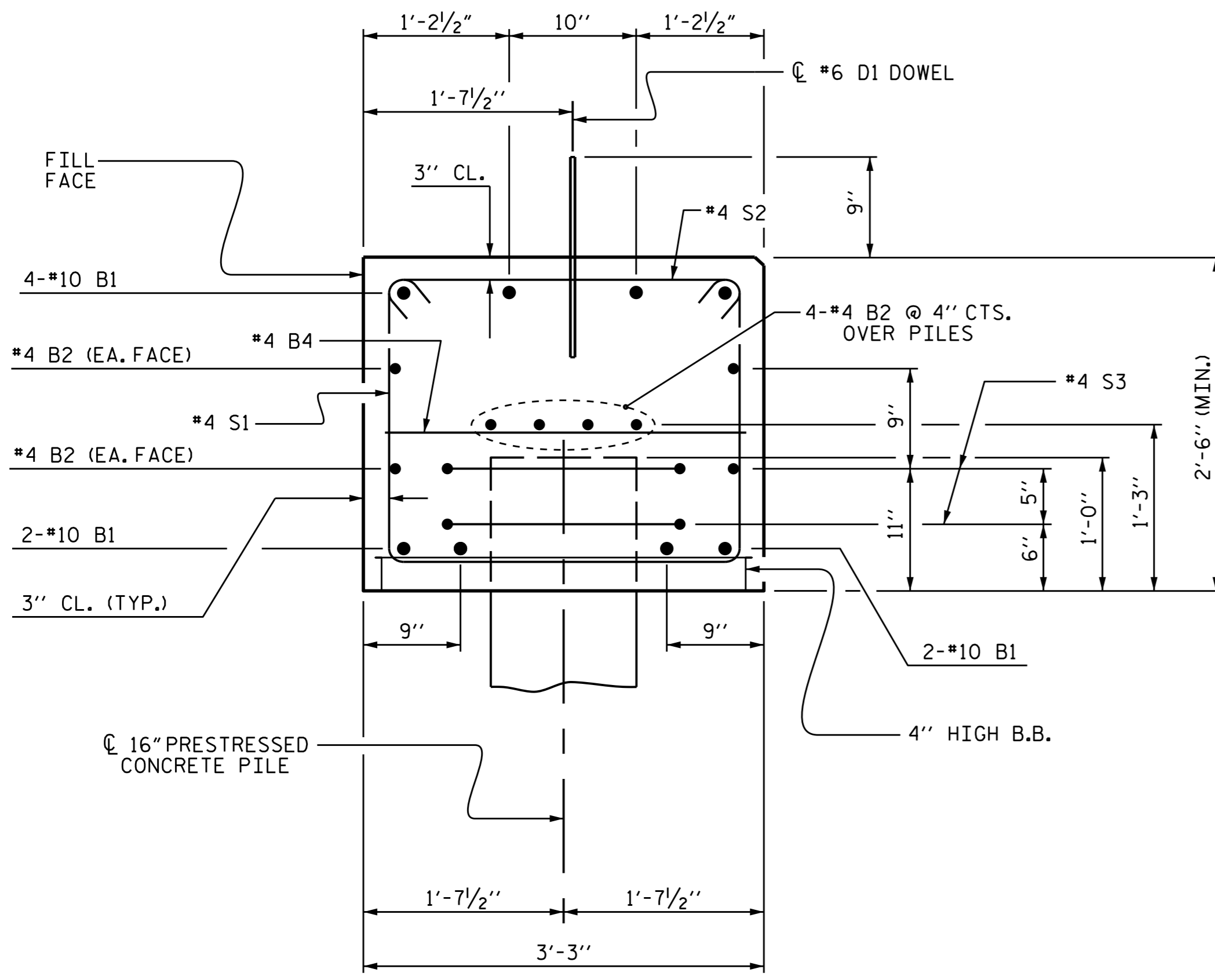
END BENT 1

16" PRESTRESSED CONCRETE PILES

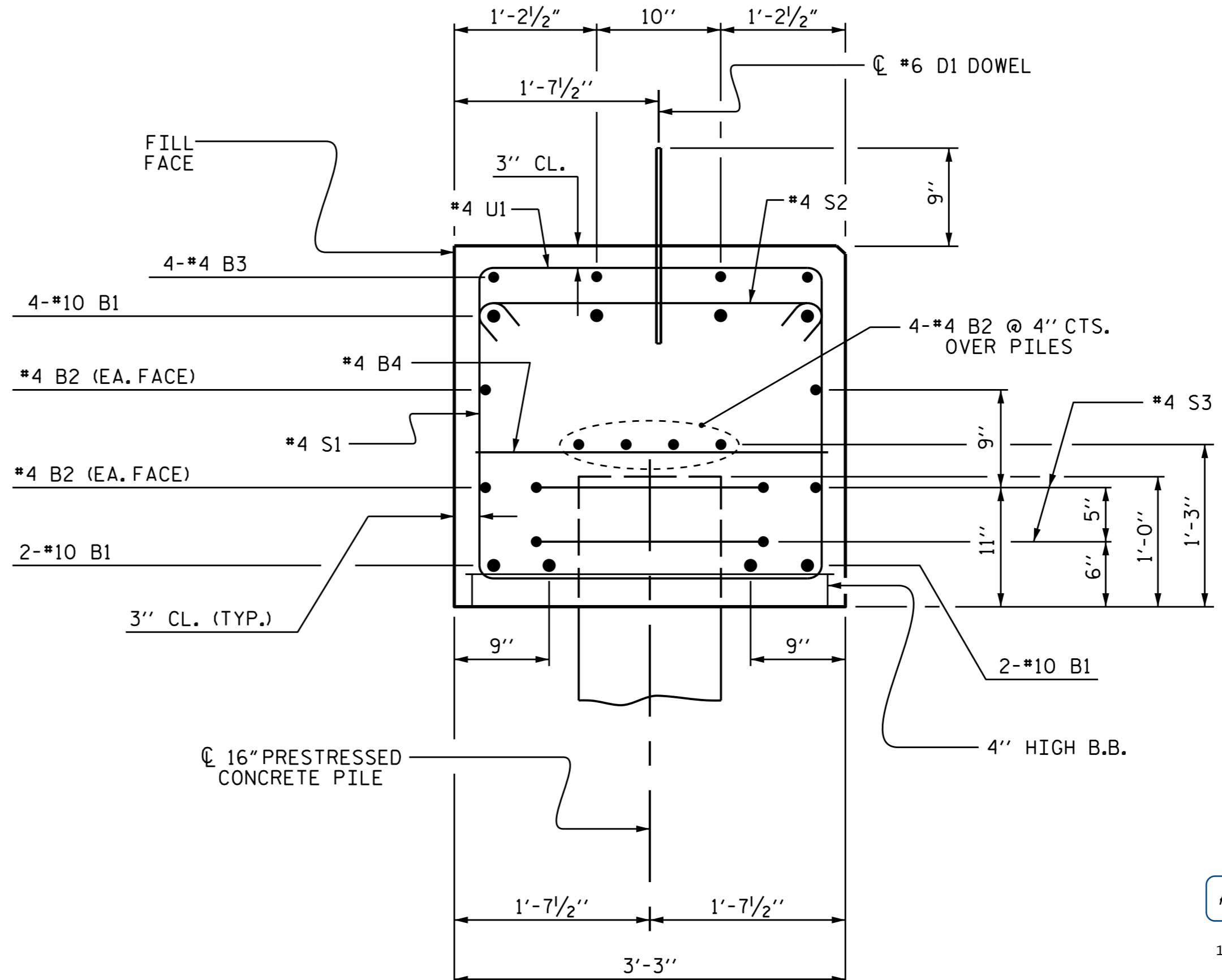
NO. = 5 LIN. FT. = 350

PILE REDRIVES EA. NO. = 3

BILL OF MATERIAL					
END BENT 1					
BAR	NO.	SIZE	TYPE	LENGTH	WEIGHT
* B1	8	#10	1	50'-2"	1727
* B2	16	#4	STR	25'-2"	269
* B3	4	#4	STR	30'-0"	80
* B4	12	#4	STR	2'-9"	22
* D1	28	#6	STR	1'-6"	63
* H1	28	#4	2	8'-2"	153
* K1	16	#4	STR	2'-5"	26
* S1	62	#4	3	7'-5"	307
* S2	62	#4	4	3'-6"	145
* S3	10	#4	5	8'-1"	54
* U1	20	#4	6	5'-9"	77
* V1	48	#4	STR	5'-0"	160
* EPOXY COATED REINFORCING STEEL					3083 LBS.
CLASS AA CONCRETE BREAKDOWN					
POUR #1 CAP & LOWER PART OF WINGS				★	17.1 C.Y.
POUR #2 UPPER PART OF WINGS					2.2 C.Y.
TOTAL CLASS AA CONCRETE				★	19.3 C.Y.
★ CONCRETE DISPLACED BY THE 16" PRESTRESSED CONCRETE PILES HAS BEEN DEDUCTED FROM THE CONCRETE QUANTITY.					



**SECTION A-A**



**SECTION B-B**

PROJECT NO. B-5300

BEAUFORT COUNTY

STATION: 18+77.50 -L-

SHEET 3 OF 3

STATE OF NORTH CAROLINA  
DEPARTMENT OF TRANSPORTATION  
RALEIGH

SUBSTRUCTURE  
END BENT 1

DocuSigned by:  
A. Keith Paschal  
F886A0E02FC48F...

1/19/2016



DRAWN BY: K. P. SEDAI DATE: 7/10/15  
CHECKED BY: P. N. HOLDER DATE: 9/4/15  
DESIGN ENGINEER OF RECORD: P. N. HOLDER DATE: 9/4/15

DOCUMENT NOT CONSIDERED  
FINAL UNLESS ALL  
SIGNATURES COMPLETED

REVISIONS						SHEET NO. S-20
NO.	BY:	DATE:	NO.	BY:	DATE:	
1			3			TOTAL SHEETS 30
2			4			