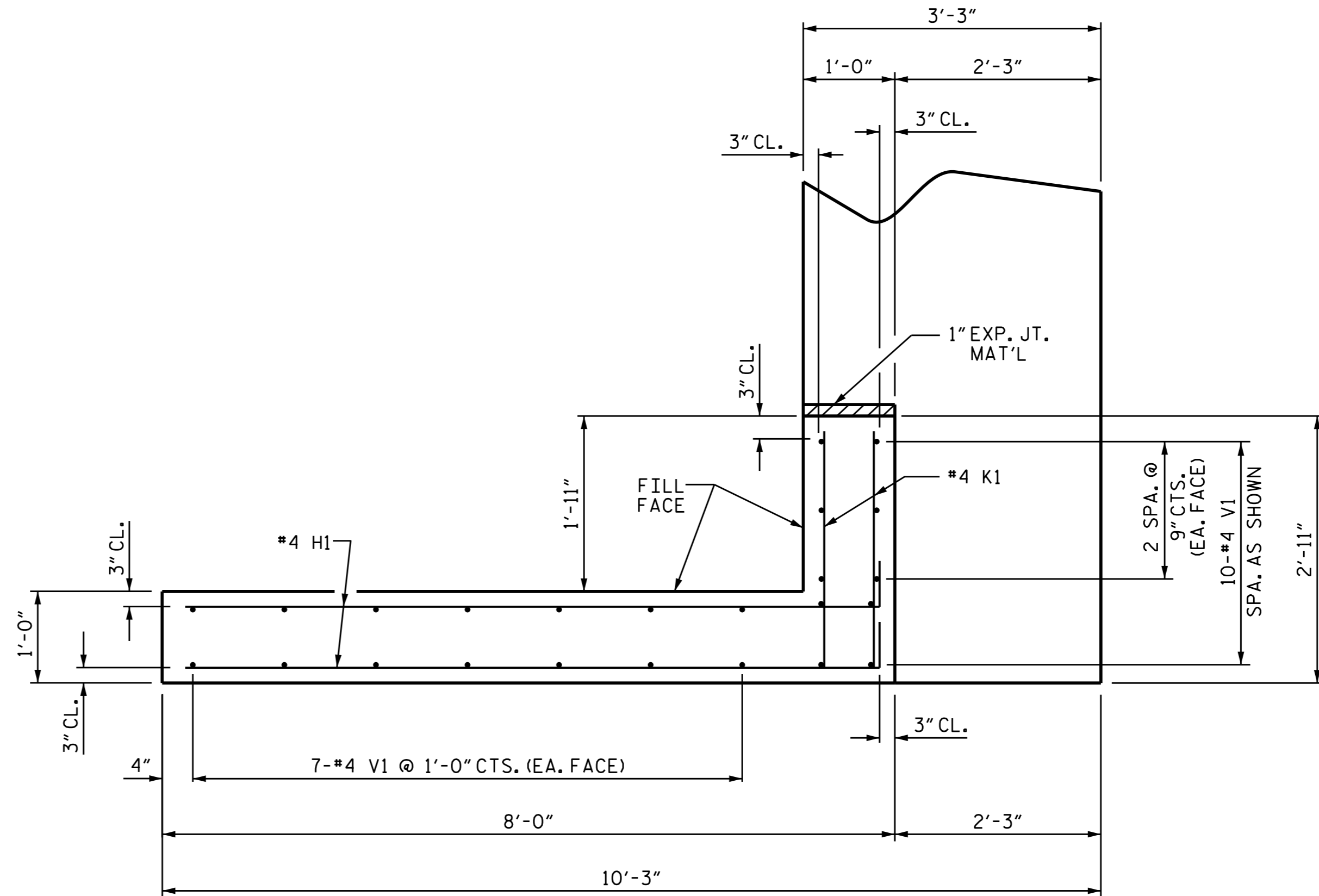
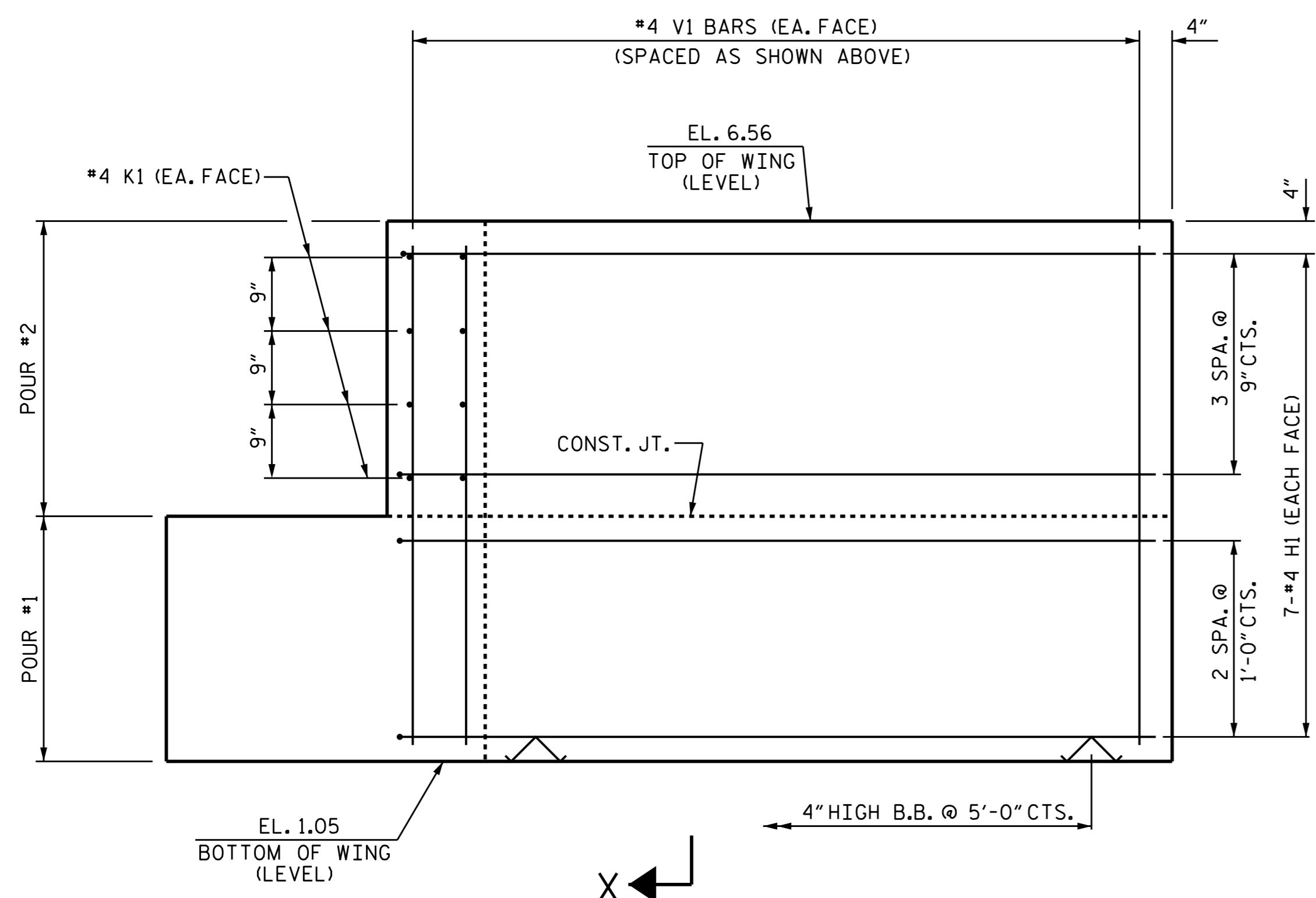


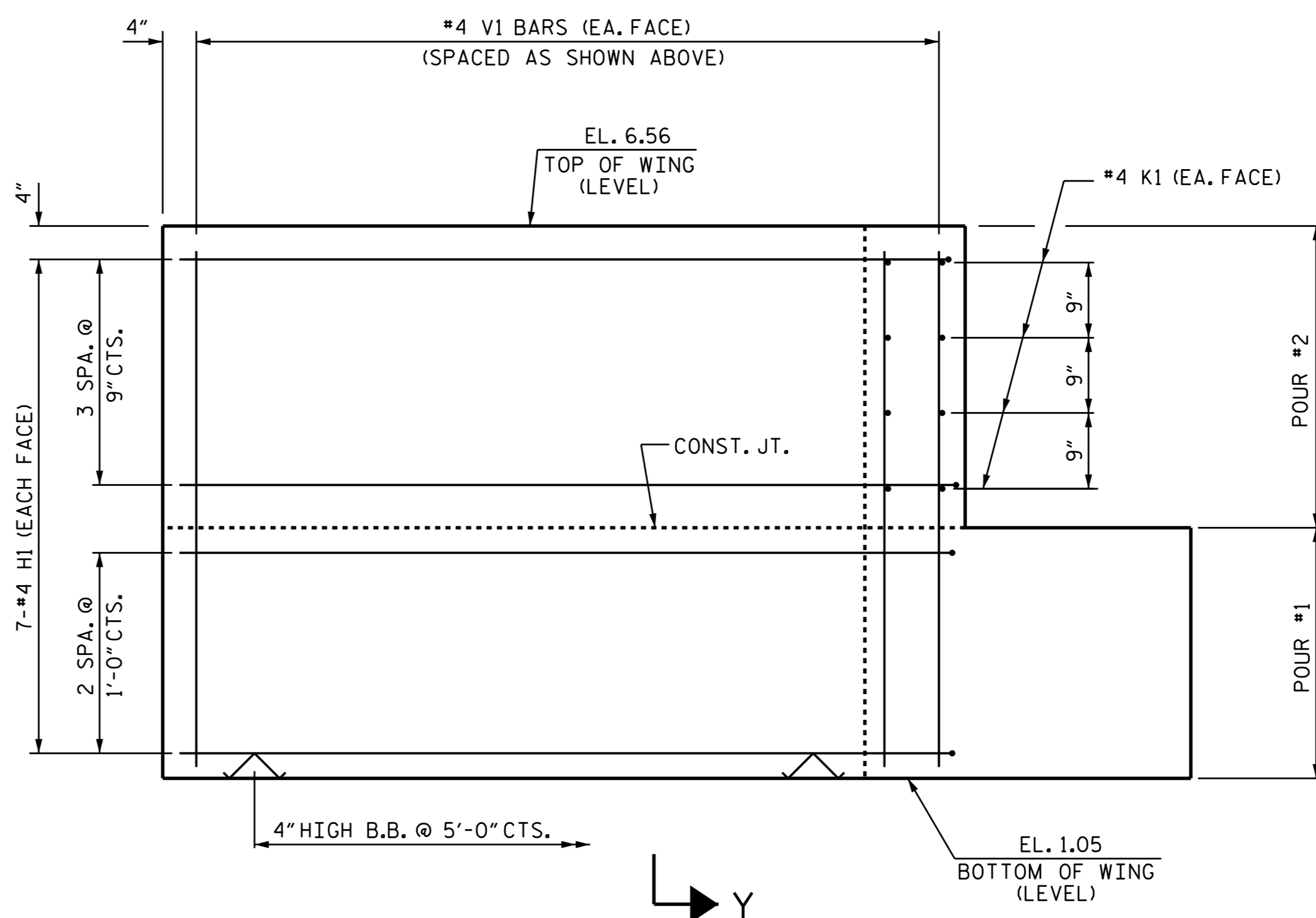
PLAN OF WING (W1)



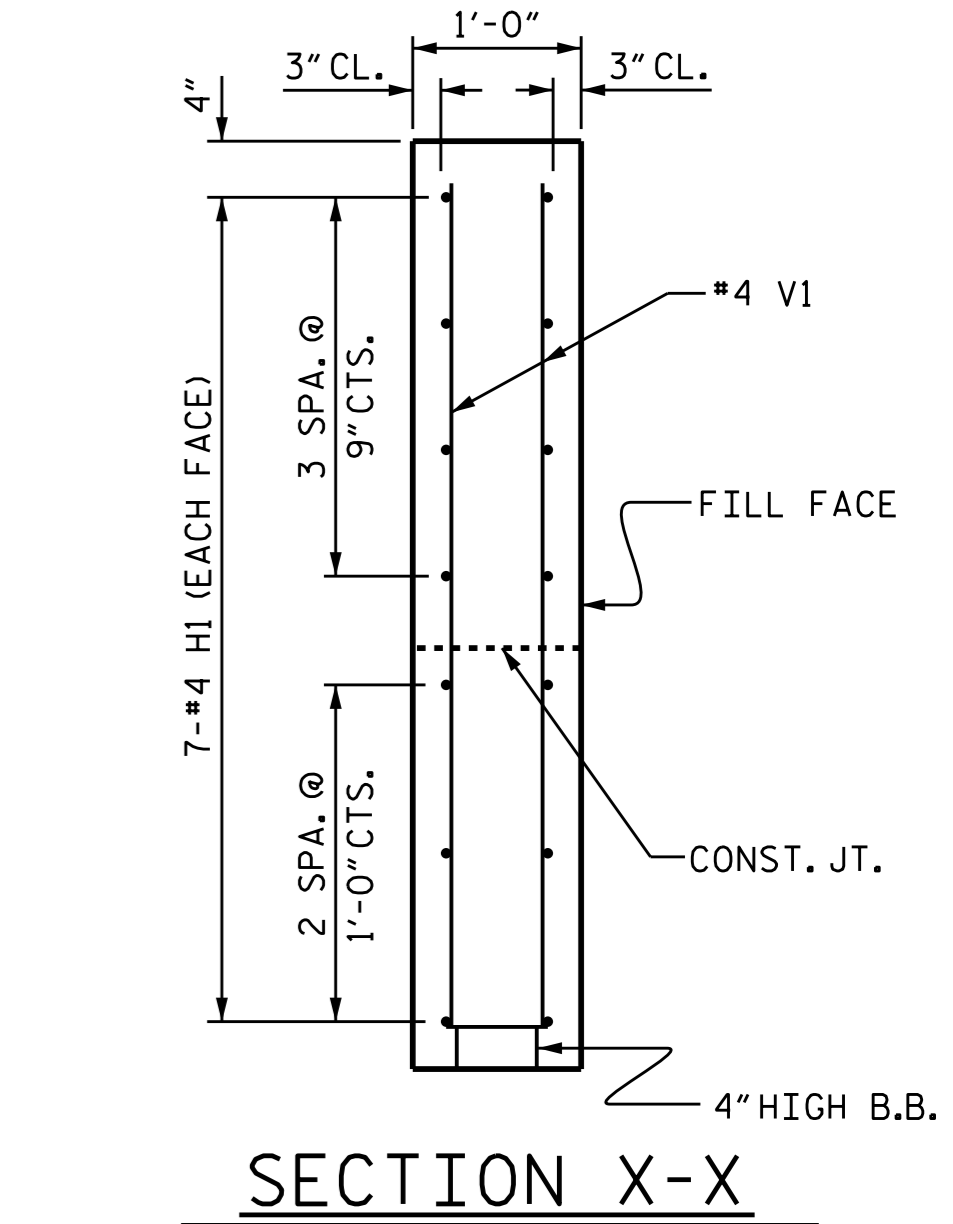
PLAN OF WING (W2)



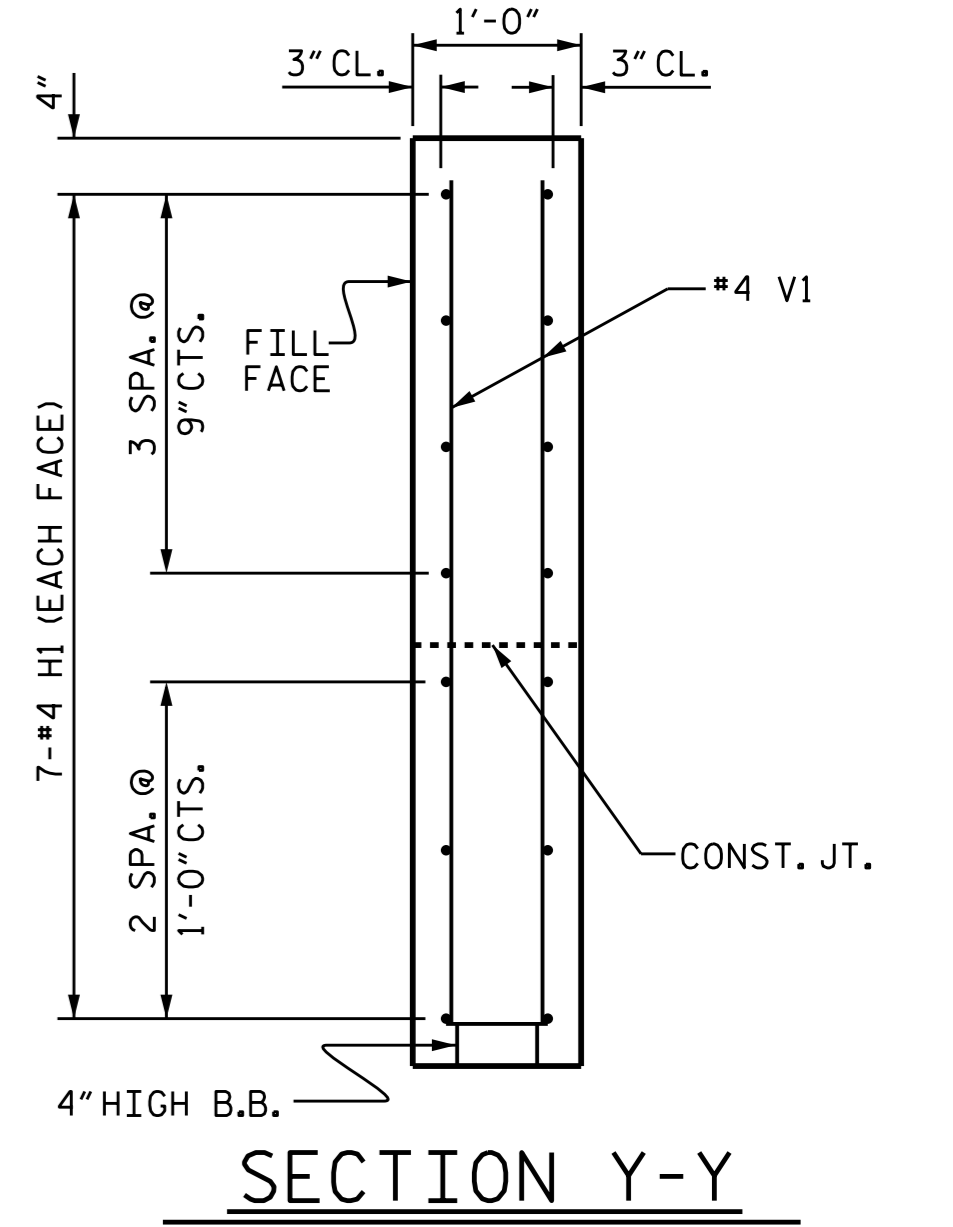
ELEVATION OF WING (W1)



ELEVATION OF WING (W2)



SECTION X-X



SECTION Y-Y

WING DETAILS

DRAWN BY: K. P. SEDA I DATE: 7/8/15
 CHECKED BY: P. N. HOLDER DATE: 9/4/15
 DESIGN ENGINEER OF RECORD: P. N. HOLDER DATE: 9/4/15

DocuSigned by:
 A. Keith Paschal
 1/19/2016
 NORTH CAROLINA
 PROFESSIONAL
 SEAL
 22005
 ENGINEER
 A. KEITH PASCHAL

DOCUMENT NOT CONSIDERED
 FINAL UNLESS ALL
 SIGNATURES COMPLETED

PROJECT NO. B-5300
 BEAUFORT COUNTY
 STATION: 18+77.50 -L-

SHEET 2 OF 3

REVISIONS						SHEET NO. S-19
NO.	BY:	DATE:	NO.	BY:	DATE:	
1			3			TOTAL SHEETS 30
2			4			