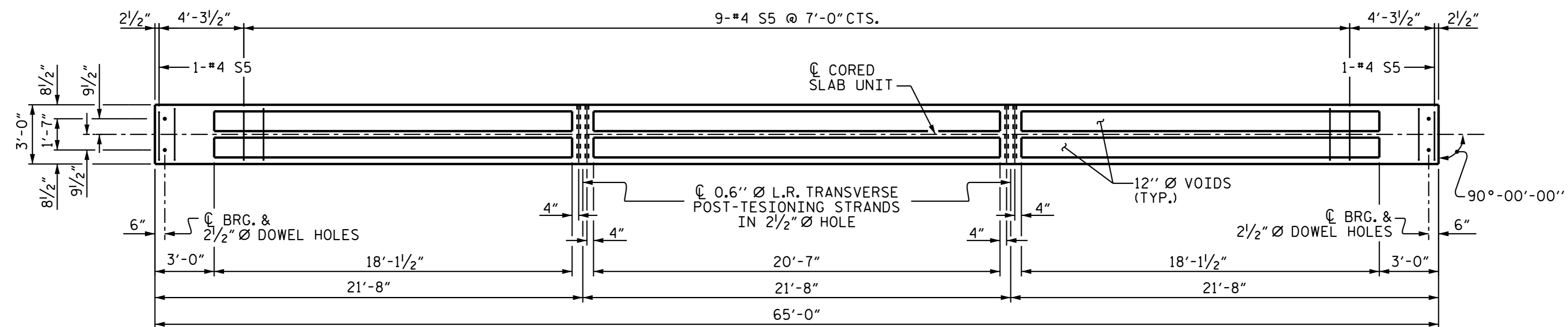


PLAN OF TYPE I CORED SLAB UNIT

FOR LOCATION OF S6 BARS AT ENDS OF SLAB, SEE "DETAIL A" SHEET 7 OF 7
SEE "TYPE I SLAB SECTION (65' UNIT) (SPAN B)" SHEET 2 OF 7



PLAN OF TYPE II CORED SLAB UNIT

FOR LOCATION OF S6 BARS AT ENDS OF SLAB, SEE "DETAIL A" SHEET 7 OF 7
FOR LOCATION OF S7 BARS, SEE "PLAN OF TYPE I CORED SLAB UNIT"

PROJECT NO. B-5300
BEAUFORT COUNTY
STATION: 18+77.50 -L-

SHEET 6 OF 7

DocuSigned by:
A. Keith Paschal
F8B6AD0E02FC4BF...

1/19/2016



STATE OF NORTH CAROLINA
DEPARTMENT OF TRANSPORTATION
RALEIGH

SUPERSTRUCTURE

PLAN OF 65' UNIT
SPAN "B" DETAILS

DRAWN BY : P.N.HOLDER DATE : 07/15
CHECKED BY : K.P.SEDAI DATE : 08/17/15
DESIGN ENGINEER OF RECORD : P.N.HOLDER DATE : 08/28/15

DOCUMENT NOT CONSIDERED
FINAL UNLESS ALL
SIGNATURES COMPLETED

REVISIONS						SHEET NO.
NO.	BY:	DATE:	NO.	BY:	DATE:	S-10
1			3			TOTAL SHEETS
2			4			30