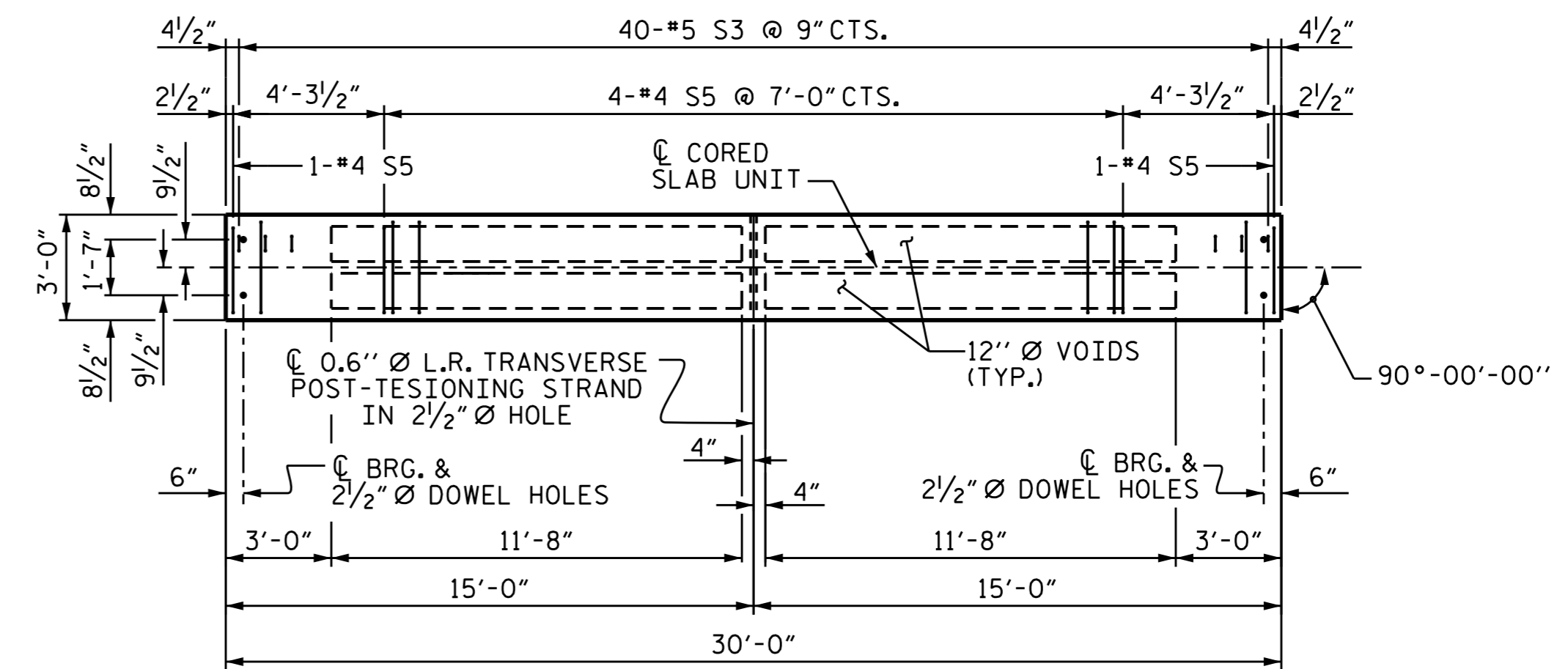


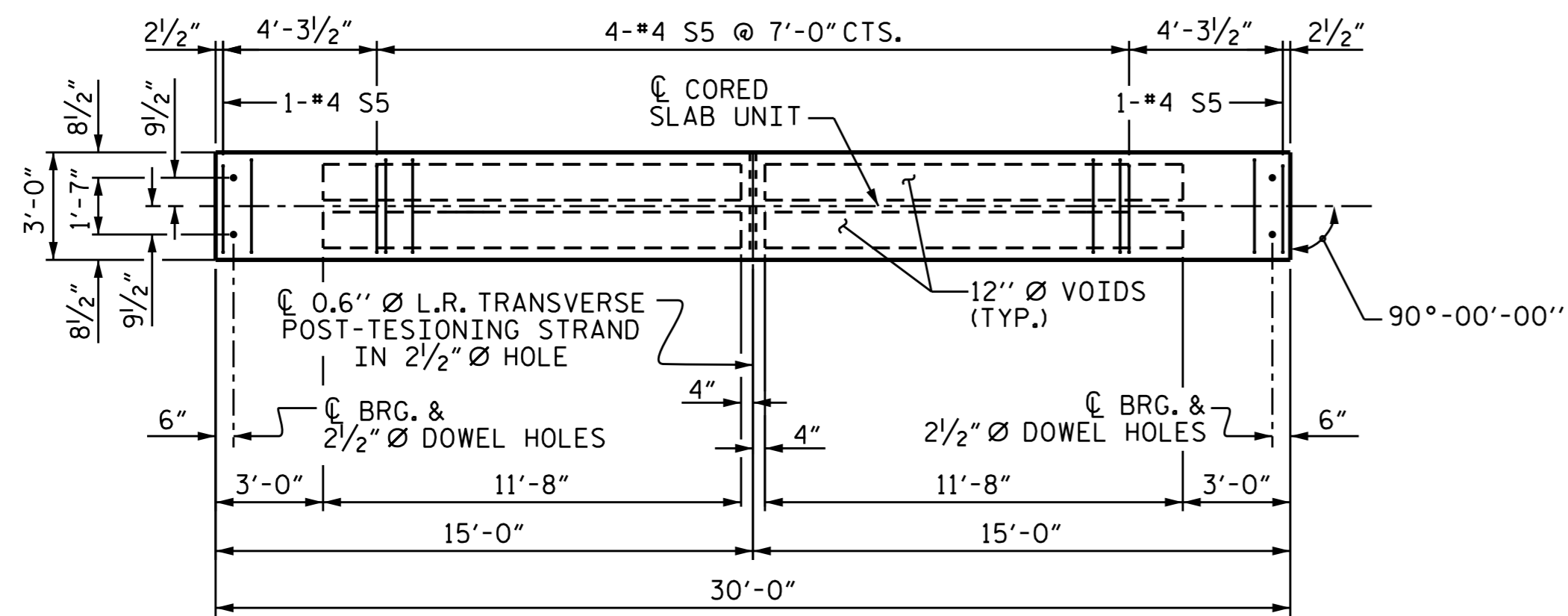
PLAN OF TYPE I CORED SLAB UNIT

FOR LOCATION OF S1 BARS AT ENDS OF SLAB, SEE "DETAIL A"
SEE "TYPE I SLAB SECTION (30' UNIT) (SPAN A)" SHEET 1 OF 7



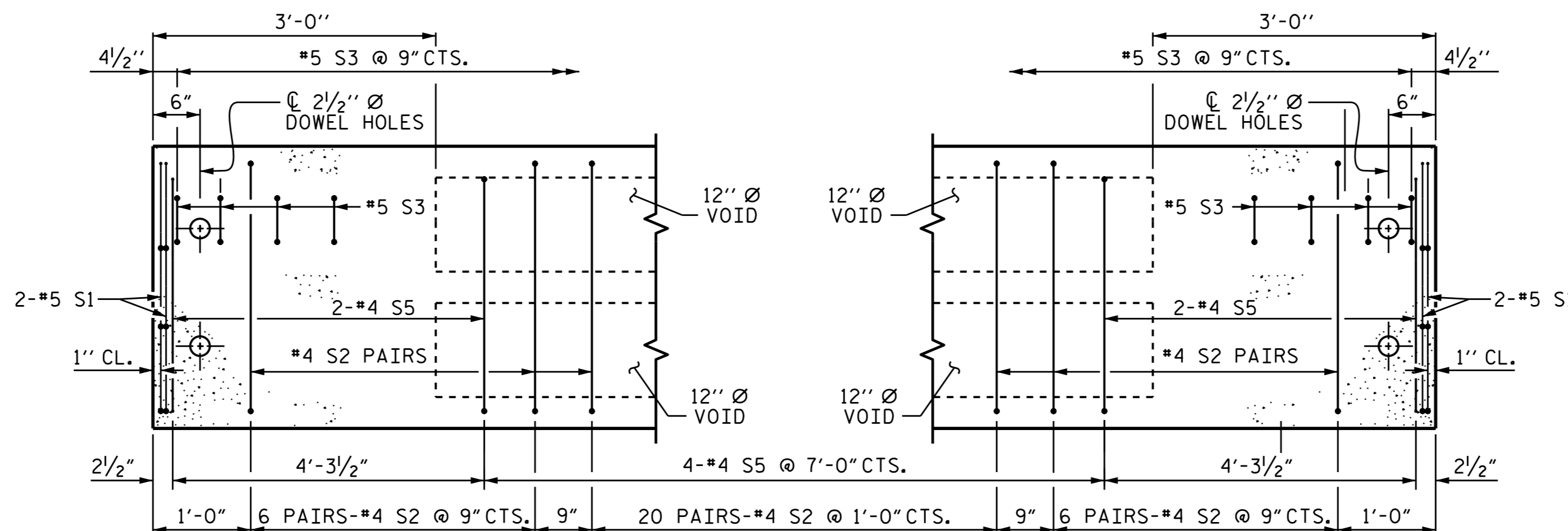
PLAN OF TYPE III CORED SLAB UNIT

FOR LOCATION OF S1 BARS AT ENDS OF SLAB, SEE "DETAIL A"
FOR LOCATION OF S2 BARS, SEE "PLAN OF TYPE I CORED SLAB UNIT"



PLAN OF TYPE II CORED SLAB UNIT

FOR LOCATION OF S1 BARS AT ENDS OF SLAB, SEE "DETAIL A"
FOR LOCATION OF S2 BARS, SEE "PLAN OF TYPE I CORED SLAB UNIT"



TYPE III @ END BENT

TYPE II SIMILAR EXCEPT OMIT S3 BARS
TYPE I SIMILAR EXCEPT OMIT S3 & S5 BARS
SEE "PLAN OF TYPE III CORED SLAB UNIT"

TYPE III @ BENT

TYPE II SIMILAR EXCEPT OMIT S3 BARS
TYPE I SIMILAR EXCEPT OMIT S3 & S5 BARS
SEE "PLAN OF TYPE III CORED SLAB UNIT"

DETAIL "A"

PROJECT NO. B-5300
BEAUFORT COUNTY
STATION: 18+77.50 -L-

SHEET 4 OF 7

STATE OF NORTH CAROLINA
DEPARTMENT OF TRANSPORTATION
RALEIGH

SUPERSTRUCTURE

PLAN OF 30' UNIT
SPAN "A" DETAILS

DocuSigned by:
A. Keith Paschal
F88A4ED82FC4BF...

1/19/2016



DRAWN BY : P.N.HOLDER DATE : 07/15
CHECKED BY : K.P.SEDAI DATE : 08/17/15
DESIGN ENGINEER OF RECORD : P.N.HOLDER DATE : 08/26/15

19-JAN-2016 13:24
R:\S\Structures\Plans\Final Plans\B-5300.SMU.CS.dgn
Kpaschal

DOCUMENT NOT CONSIDERED
FINAL UNLESS ALL
SIGNATURES COMPLETED

REVISIONS						SHEET NO.
NO.	BY:	DATE:	NO.	BY:	DATE:	S-8
1			3			TOTAL SHEETS
2			4			30