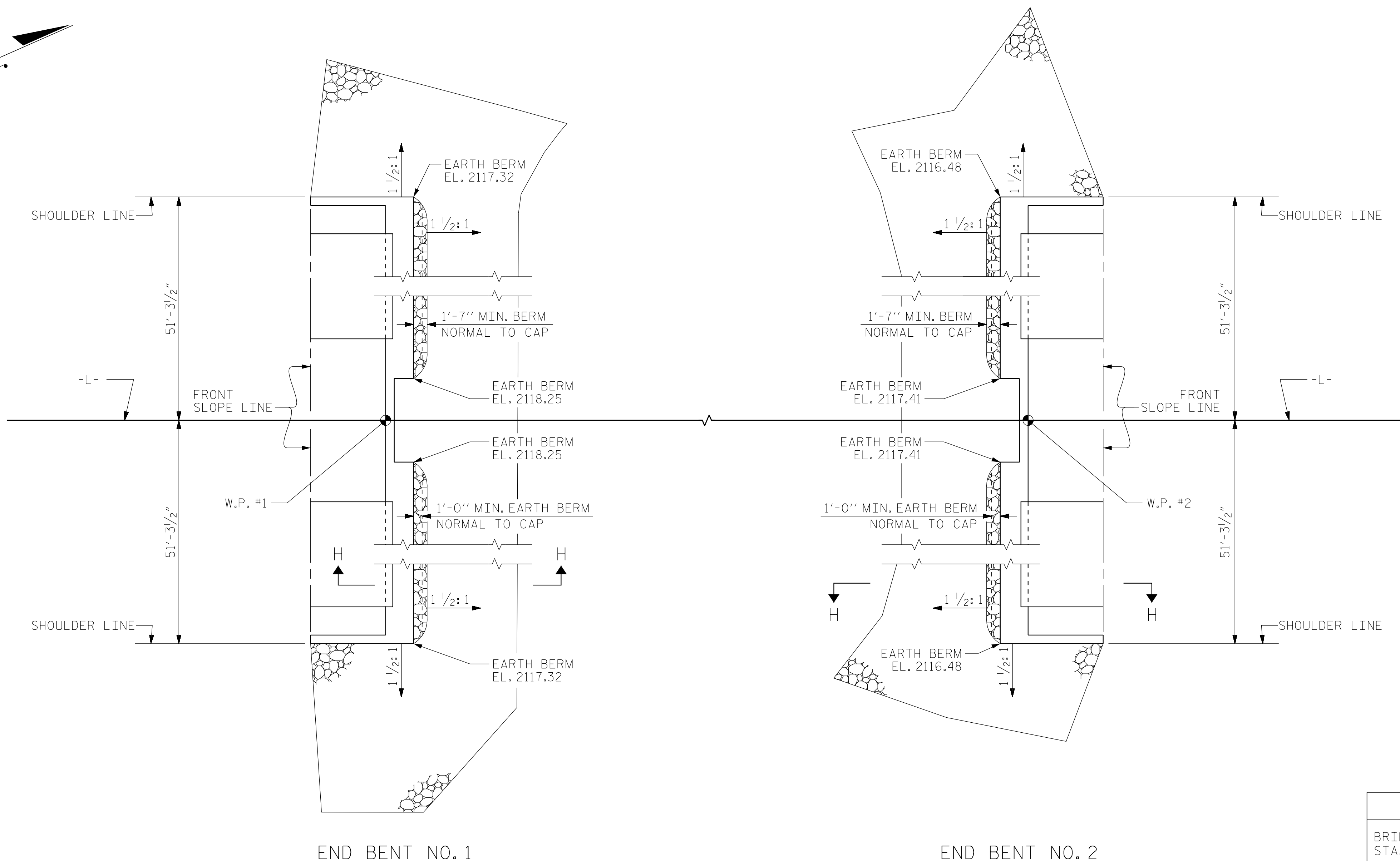
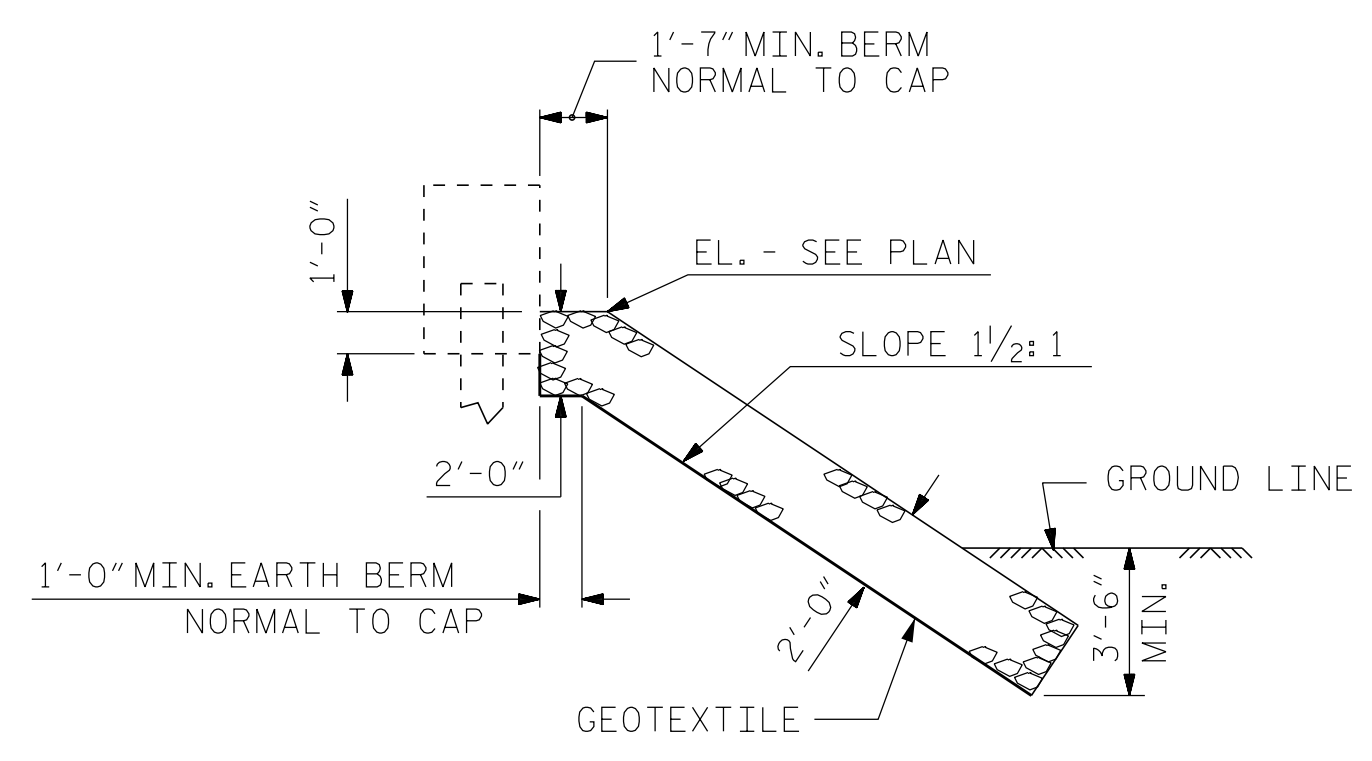


NOTES :  
FOR BERM WIDTH DIMENSIONS, SEE GENERAL DRAWING.



PLAN

ESTIMATED QUANTITIES		
BRIDGE @ STA. 50+83.00 -L-	RIP RAP CLASS II (2'-0" THICK)	GEOTEXTILE FOR DRAINAGE
	TONS	SQUARE YARDS
END BENT 1	238	264
END BENT 2	215	239



SECTION H-H  
BERM RIP RAPPED

PROJECT NO. R-5605  
TRANSYLVANIA COUNTY  
STATION: 50+83.00 -L-

ASSEMBLED BY : PFC	DATE : 8/15
CHECKED BY : CMT	DATE : 8/15
DRAWN BY : REK 1/84	REV. 5/1/06R TLA/GM
CHECKED BY : RDU 1/84	REV. 10/1/11 MAA/GM
	REV. 12/21/11 MAA/GM

\*\*\*\*\*SYTIME\*\*\*\*\*  
\*\*\*\*\*SDGN\*\*\*\*\*  
\*\*\*\*\*USERNAME\*\*\*\*\*

Prepared in the Office of:

**Mattern & Craig**  
CONSULTING ENGINEERS & SURVEYORS  
FIRM LICENSE NO. C-1154  
12 BROAD STREET  
ASHEVILLE, NORTH CAROLINA 28801  
(828) 254-2201 - FAX (828) 254-4582

DocuSigned by:  
**Steven A. Campbell** 12/21/2015

STATE OF NORTH CAROLINA  
DEPARTMENT OF TRANSPORTATION  
RALEIGH  
STANDARD  
—RIP RAP DETAILS—

REVISIONS						SHEET NO.
NO.	BY:	DATE:	NO.	BY:	DATE:	S-48
1			3			TOTAL SHEETS
2			4			51