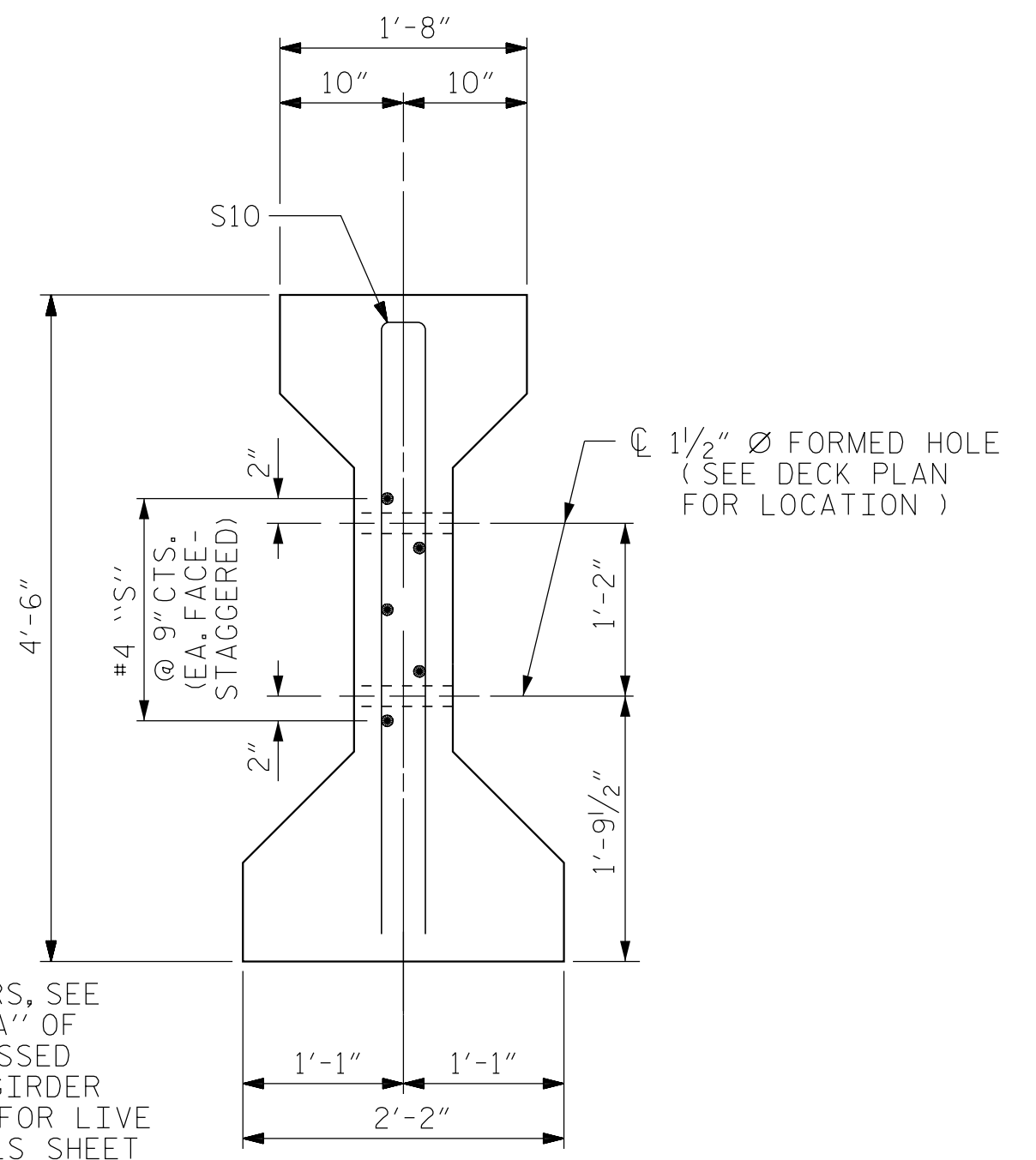
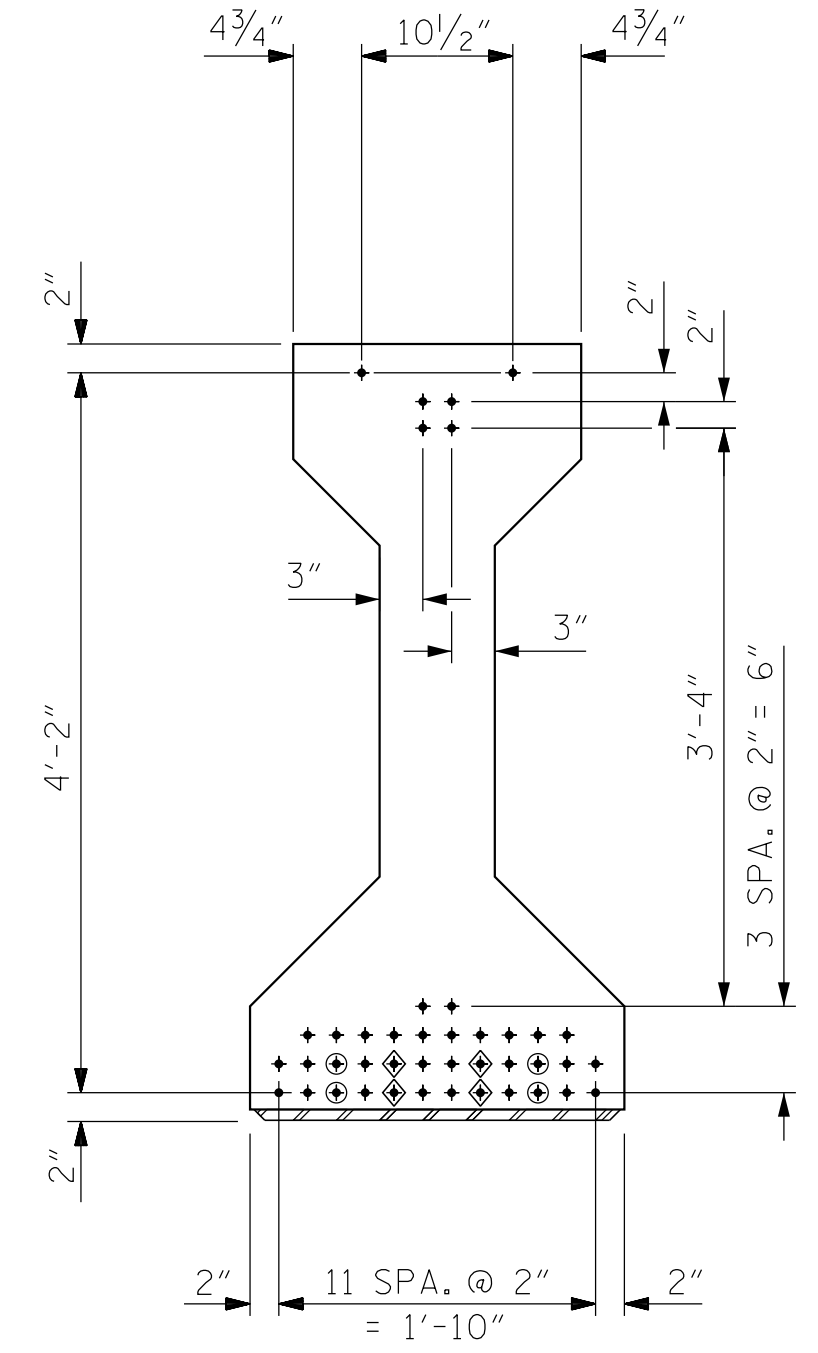


SECTION A-A

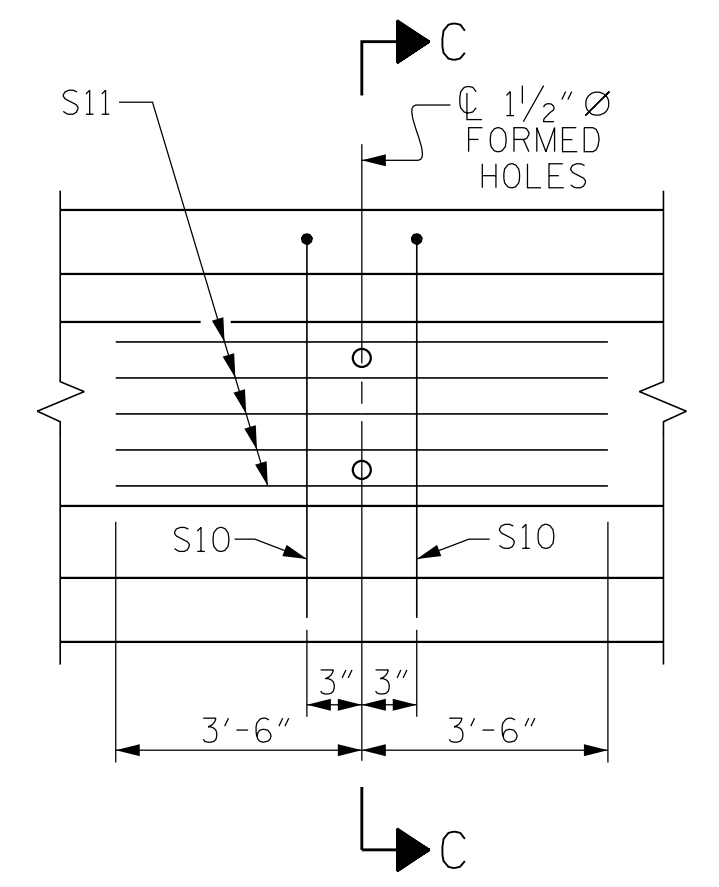


SECTION C-C  
(S1 BARS NOT SHOWN)

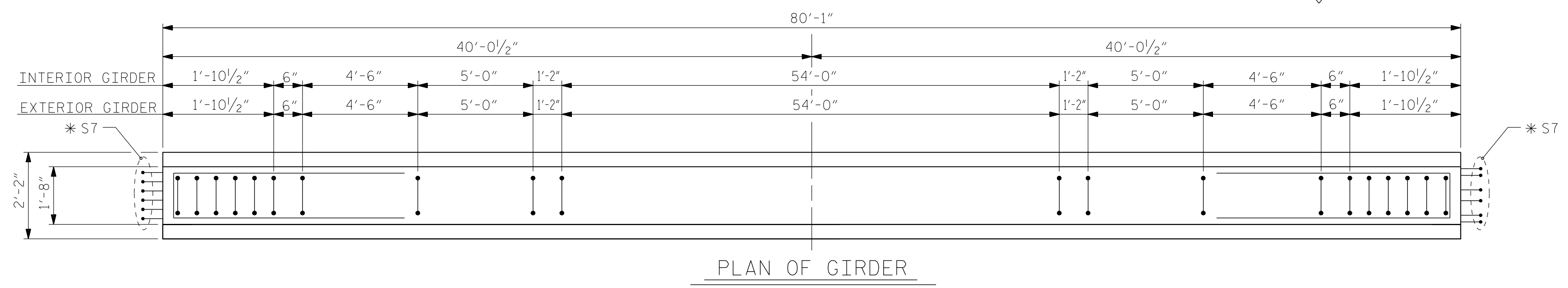


0.5" Ø LOW RELAXATION STRAND LAYOUT

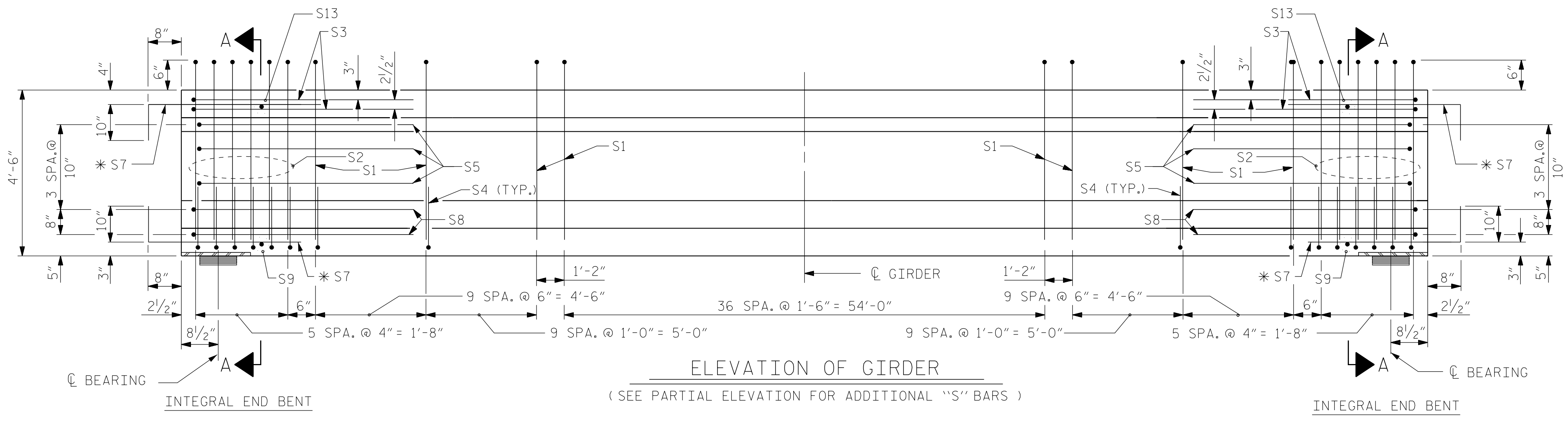
- DEBONDING LEGEND**
- FULLY BONDED STRANDS
  - STRANDS DEBONDED FOR 8'-0" FROM END OF GIRDER
  - ◇ STRANDS DEBONDED FOR 12'-0" FROM END OF GIRDER



PARTIAL ELEVATION  
SHOWING INTERMEDIATE DIAPHRAGM REINFORCING STEEL FOR GIRDER Nos. 1 THROUGH 10.



PLAN OF GIRDER



ELEVATION OF GIRDER  
(SEE PARTIAL ELEVATION FOR ADDITIONAL "S" BARS)

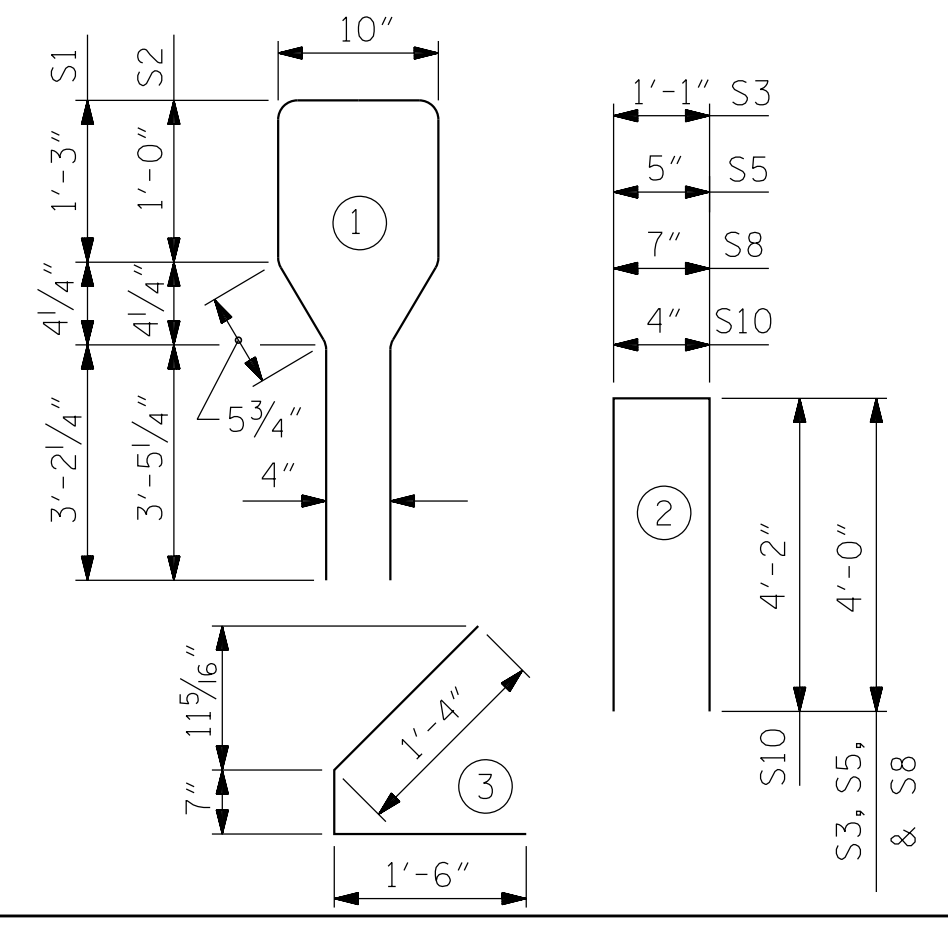
0.5" Ø L. R. GRADE 270 STRANDS		
AREA (SQUARE INCHES)	ULTIMATE STRENGTH (LBS. PER STRAND)	APPLIED PRESTRESS (LBS. PER STRAND)
0.153	41,300	30,980

REINFORCING STEEL FOR ONE GIRDER						
BAR	NUMBER	SIZE	TYPE	LENGTH	WEIGHT	
S1	75	#4	1	10'-8"	534	EXTERIOR GDR.
S1	75	#4	1	10'-8"	534	INTERIOR GDR.
S2	12	#6	1	10'-8"	192	
S3	4	#4	2	9'-1"	24	
S4	64	#4	3	3'-5"	146	
S5	6	#4	2	8'-5"	34	
* S7	24	#5	STR	3'-8"	92	
S8	4	#4	2	8'-7"	23	
S9	2	#3	STR	1'-10"	1	
S10	2	#5	2	8'-8"	18	EXTERIOR GDR.
S10	2	#5	2	8'-8"	18	INTERIOR GDR.
S11	5	#4	STR	7'-0"	24	EXTERIOR GDR.
S11	5	#4	STR	7'-0"	24	INTERIOR GDR.
S13	2	#3	STR	1'-4"	1	

\* NOTE: S7 BARS SHALL BE BENT BEFORE SHIPMENT. HEAT BENDING SHALL NOT BE ALLOWED.

**BAR TYPES**

ALL BAR DIMENSIONS ARE OUT-TO-OUT



QUANTITIES FOR ONE GIRDER			
	REINFORCING STEEL	6,000 PSI CONCRETE	0.5" Ø L. R. STRANDS
	LB.	C.Y.	No.
EXTERIOR GIRDER	1089	16.3	42
INTERIOR GIRDER	1089	16.3	42

**GIRDERS REQUIRED**

NUMBER	LENGTH	TOTAL LENGTH
10	80'-1"	800'-10"

PROJECT NO. R-5605  
TRANSYLVANIA COUNTY  
 STATION: 50+83.00 -L-

STATE OF NORTH CAROLINA  
 DEPARTMENT OF TRANSPORTATION  
 RALEIGH  
**STANDARD**  
**AASHTO TYPE IV**  
**PRESTRESSED CONCRETE GIRDER**  
**CONTINUOUS FOR LIVE LOAD**

ASSEMBLED BY : PFC	DATE : 8/15
CHECKED BY : CMT	DATE : 8/15
DRAWN BY : ELR 8/91	REV. 5/1/06R TLA/GM
CHECKED BY : GRP 8/91	REV. 10/1/11 MAA/GM
	REV. 1/15 MAA/TMG

Prepared in the Office of:

**Mattern & Craig**  
 CONSULTING ENGINEERS - SURVEYORS  
 FIRM LICENSE NO. C-1154  
 2 BROAD STREET  
 ASHEVILLE, NORTH CAROLINA 28801  
 (828) 254-2201 - FAX (828) 254-4562

DocuSigned by:  
**Steven A. Campbell** 12/21/2015

REVISIONS						SHEET NO. S-32
NO.	BY:	DATE:	NO.	BY:	DATE:	
1			3			TOTAL SHEETS 51
2			4			