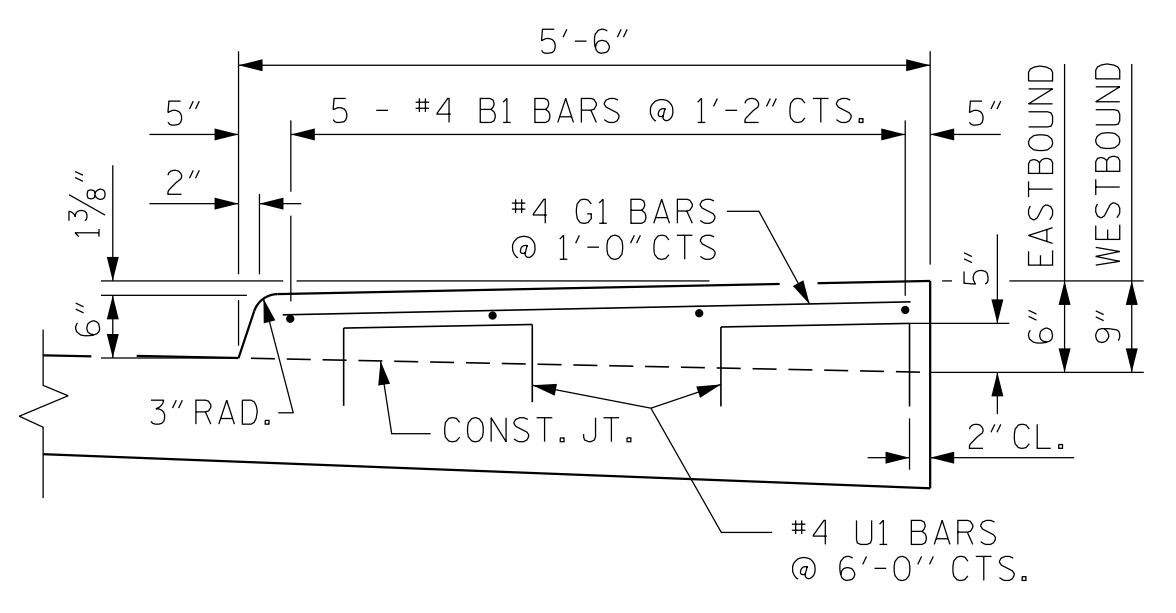


DIMENSIONS SHOWN ARE TYPICAL FOR BOTH APPROACH SLABS



SECTION A-A

BAR TYPES

ALL BAR DIMENSIONS ARE OUT TO OUT.

BILL OF MATERIAL					
SIDEWALK FOR ONE APPROACH SLAB (4 REQ'D)					
BAR	NO.	SIZE	TYPE	LENGTH	WEIGHT
* B1	5	#4	STR	24'-8"	83
* G1	26	#4	STR	5'-0"	87
* U1	10	#4	1	3'-6"	24
* EPOXY COATED REINFORCING STEEL				LBS.	194
CLASS AA CONCRETE				C. Y.	3.3

NOTES

SIDEWALK ON APPROACH SLAB SHALL BE PAID FOR IN BRIDGE APPROACH SLAB PAY ITEM.

THE #4 U1 BARS MAY BE PUSHED INTO GREEN CONCRETE AFTER THE APPROACH SLAB HAS BEEN FINISHED.

PROJECT NO. R-5605
TRANSYLVANIA COUNTY
 STATION: 36+73.00 -L-

SHEET 2 OF 2

STATE OF NORTH CAROLINA
 DEPARTMENT OF TRANSPORTATION
 RALEIGH
 STANDARD
 BRIDGE APPROACH SLAB
 SIDEWALK DETAILS

REVISIONS						SHEET NO.	
NO.	BY:	DATE:	NO.	BY:	DATE:	S-25	
1			3			TOTAL SHEETS	51
2			4				

DRAWN BY : PEC DATE : 8/15
 CHECKED BY : CMT DATE : 8/15

Prepared in the Office of:

Mattern & Craig
 CONSULTING ENGINEERS • SURVEYORS
 FIRM LICENSE NO. C-1154
 12 BROAD STREET
 ASHEVILLE, NORTH CAROLINA 28801
 (828) 254-2201 • FAX (828) 254-4562

DocuSigned by:
Steven A. Campbell 12/21/2015

*****SYSTEM*****
 *****DCN*****
 *****USERNAME*****