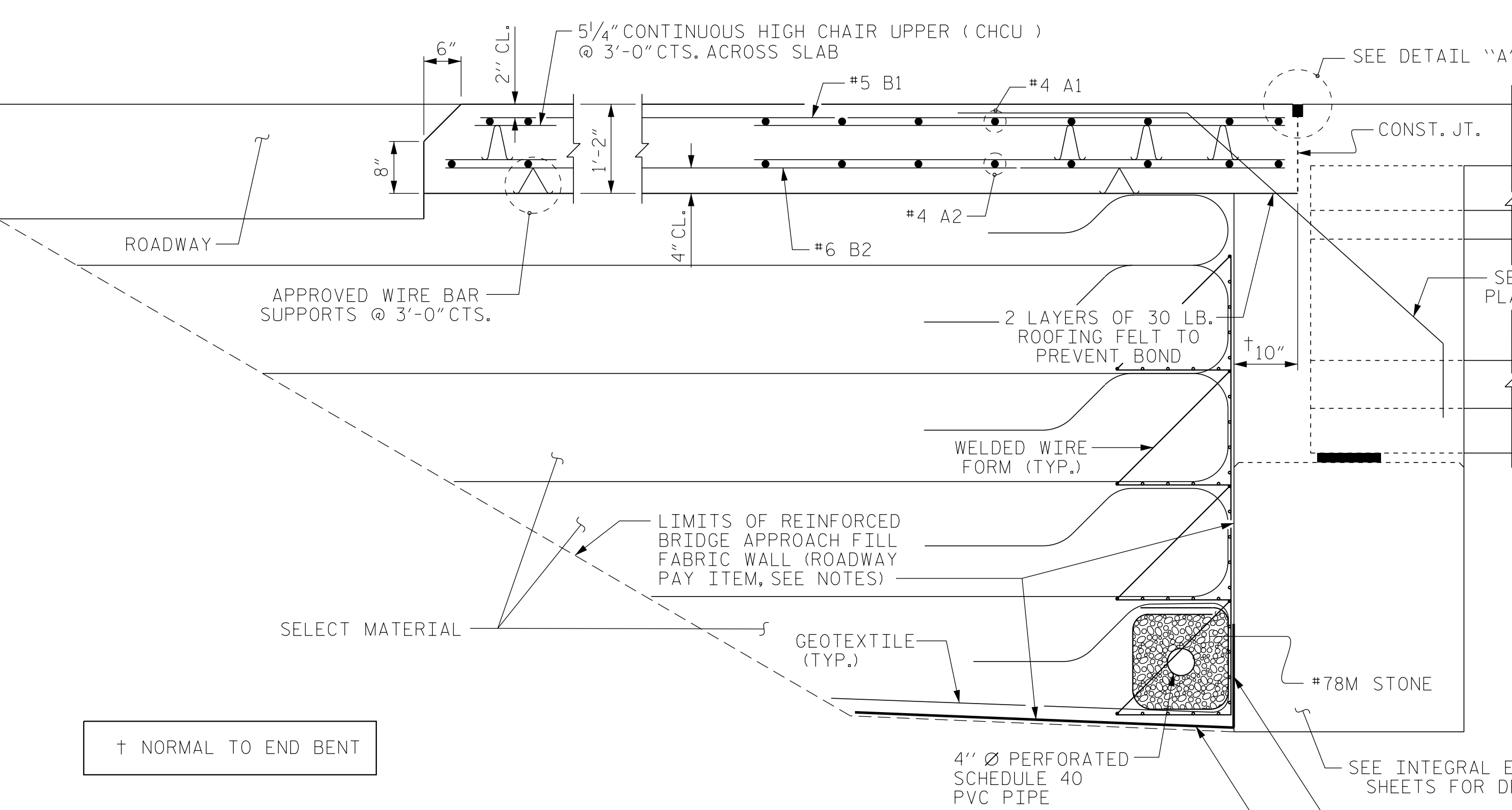


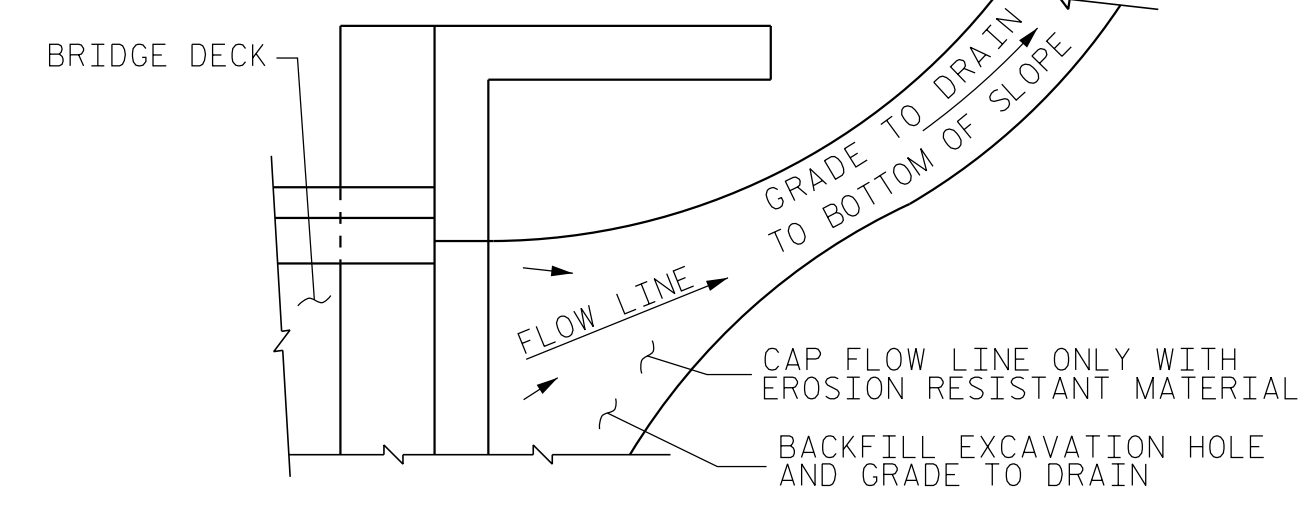
PLAN @ END BENT #1 PLAN @ END BENT #2
DIMENSIONS SHOWN ARE TYPICAL FOR BOTH APPROACH SLABS



SECTION THRU SLAB

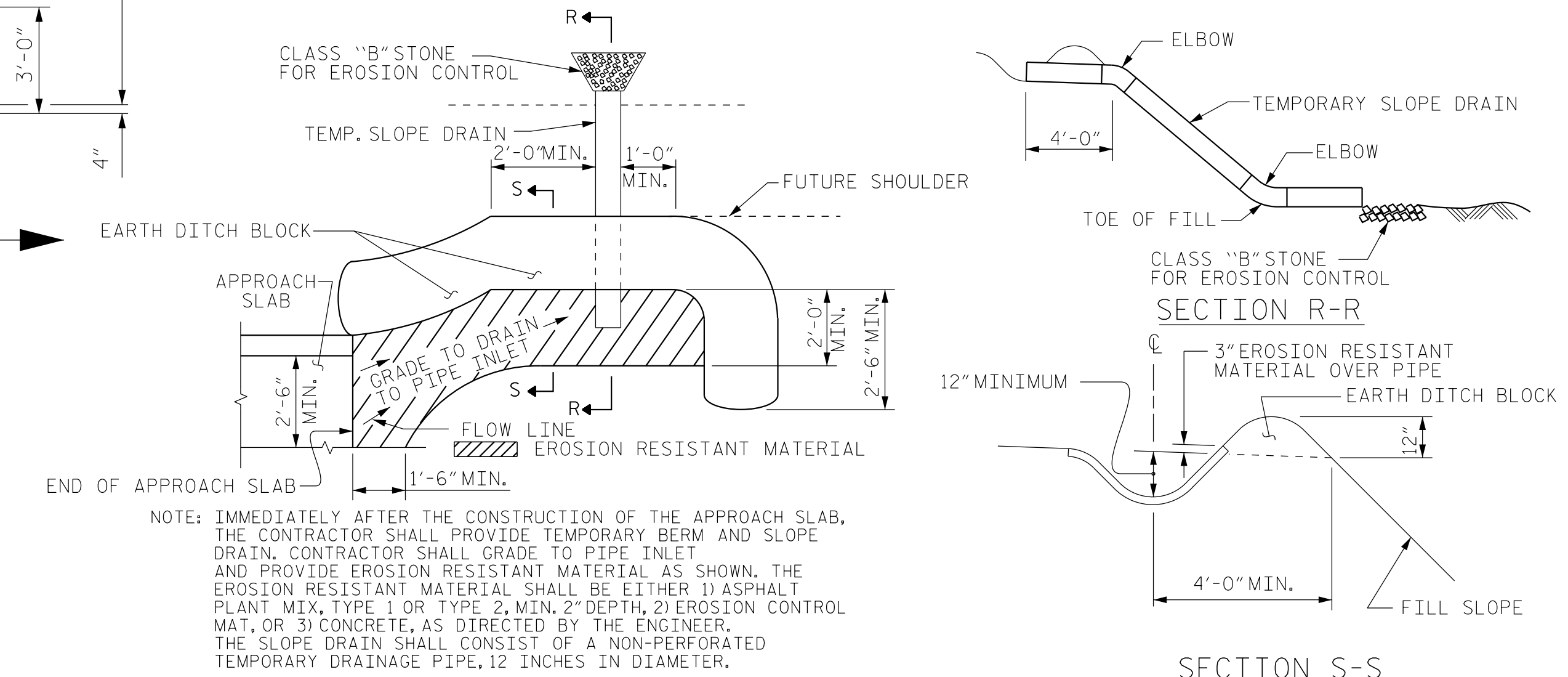
NOTES

APPROACH SLAB SHALL NOT BE CONSTRUCTED PRIOR TO COMPLETION OF THE BRIDGE DECK.
 FOR REINFORCED BRIDGE APPROACH FILL FABRIC WALL INCLUDING GEOTEXTILE, IMPERMEABLE GEOMEMBRANE, 4" Ø DRAINAGE PIPE, #78M STONE, WELDED WIRE FORM, AND SELECT MATERIAL, SEE ROADWAY PLANS.
 AREA BETWEEN THE WINGWALL AND APPROACH SLAB SHALL BE GRADED TO DRAIN THE WATER AWAY FROM THE FILL FACE OF THE BRIDGE AND SHALL BE PAVED. SEE ROADWAY PLAN.
 THE JOINT OPENING AT THE APPROACH SLAB/DECK INTERFACE SHALL BE SAWS TO NOT MORE THAN 12 HOURS AFTER THE APPROACH SLAB IS CAST. THE JOINT SHALL BE CLEANED OF ALL DEBRIS BEFORE THE SEALANT IS APPLIED. THE JOINT SEALER MATERIAL SHALL CONFORM TO THE REQUIREMENTS OF SECTION 1028-3 OF THE STANDARD SPECIFICATIONS.

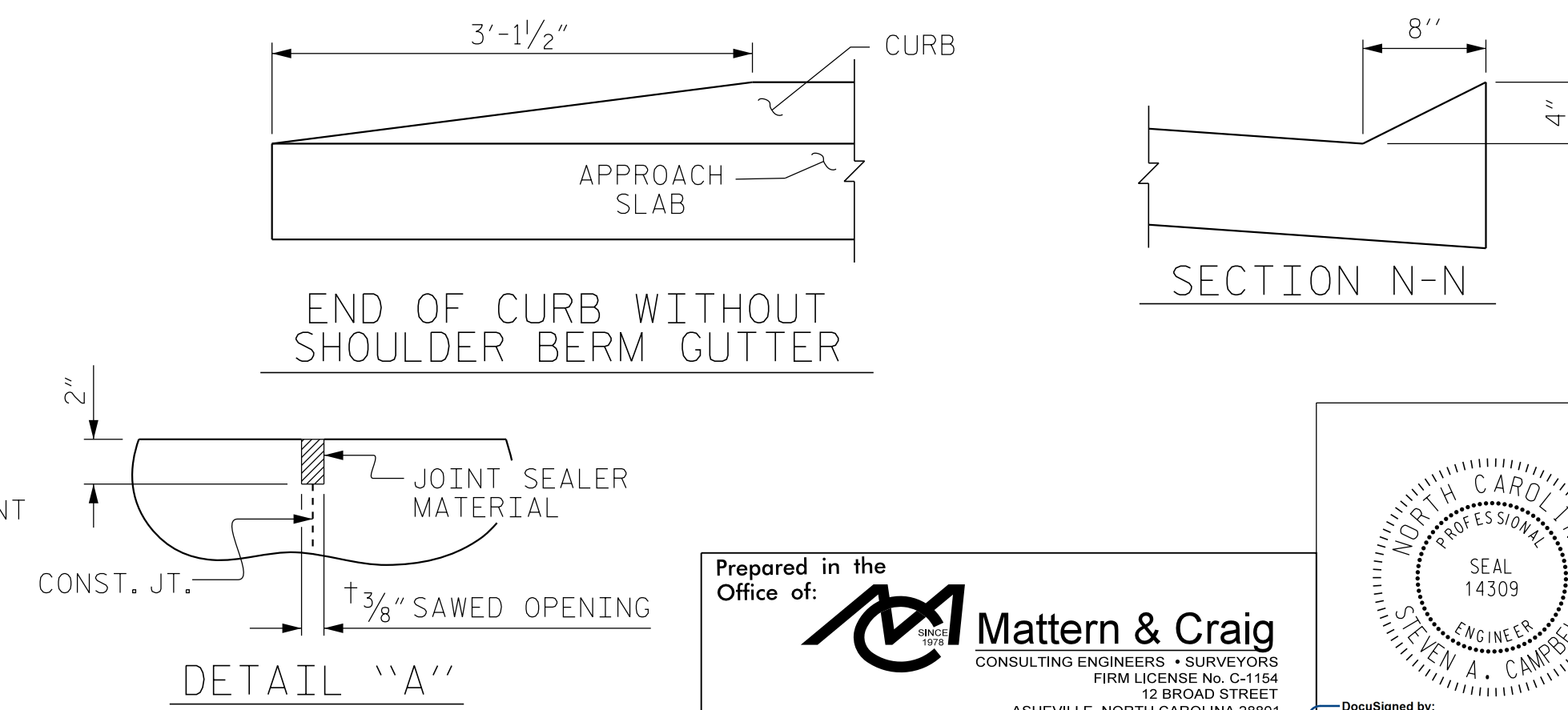


NOTE: IF THE APPROACH SLAB IS NOT CONSTRUCTED IMMEDIATELY AFTER THE BACKFILLING OF THE END BENT EXCAVATION, GRADE TO DRAIN TO THE BOTTOM OF THE SLOPE AND PROVIDE EROSION RESISTANT MATERIAL, SUCH AS FIBERGLASS ROVING OR AS DIRECTED BY THE ENGINEER TO PREVENT SOIL EROSION AND TO PROTECT THE AREA ADJACENT TO THE STRUCTURE. THE CONTRACTOR WILL BE REQUIRED TO REMOVE THESE MATERIALS PRIOR TO CONSTRUCTION OF THE APPROACH SLAB.

TEMPORARY DRAINAGE DETAIL



TEMPORARY BERM AND SLOPE DRAIN DETAILS
(TO BE USED WHEN SHOULDER BERM GUTTER IS REQUIRED)

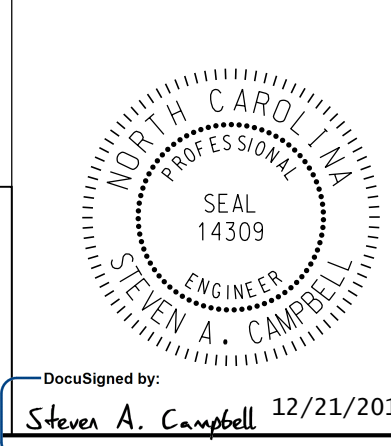


DETAIL "A"

BILL OF MATERIAL					
FOR ONE APPROACH SLAB (4 REQ'D)					
BAR	NO.	SIZE	TYPE	LENGTH	WEIGHT
* A1	26	#4	STR	37'-10"	658
A2	26	#4	STR	37'-10"	658
* B1	76	#5	STR	24'-2"	1917
B2	76	#6	STR	24'-8"	2818
REINFORCING STEEL				LBS.	3,476
* EPOXY COATED REINFORCING STEEL				LBS.	2,575
CLASS AA CONCRETE				C. Y.	41.2

ASSEMBLED BY :	PFC	DATE :	8/15
CHECKED BY :	CMT	DATE :	8/15
DRAWN BY :	TLA	REV. 10/1/11	MAA/GM
CHECKED BY :	GM	REV. 12/21/11	MAA/GM
		REV. 6/13	MAA/GM

Prepared in the Office of:
Mattern & Craig
 CONSULTING ENGINEERS - SURVEYORS
 FIRM LICENSE NO. C-1154
 12 BROAD STREET
 ASHEVILLE, NORTH CAROLINA 28801
 (828) 254-2201 - FAX (828) 254-4562



PROJECT NO. R-5605
 TRANSYLVANIA COUNTY
 STATION: 36+73.00 -L-

STATE OF NORTH CAROLINA DEPARTMENT OF TRANSPORTATION RALEIGH STANDARD BRIDGE APPROACH SLAB FOR INTEGRAL ABUTMENT					
REVISIONS					SHEET NO.
NO.	BY:	DATE:	NO.	BY:	DATE:
1			3		
2			4		
					TOTAL SHEETS
					51