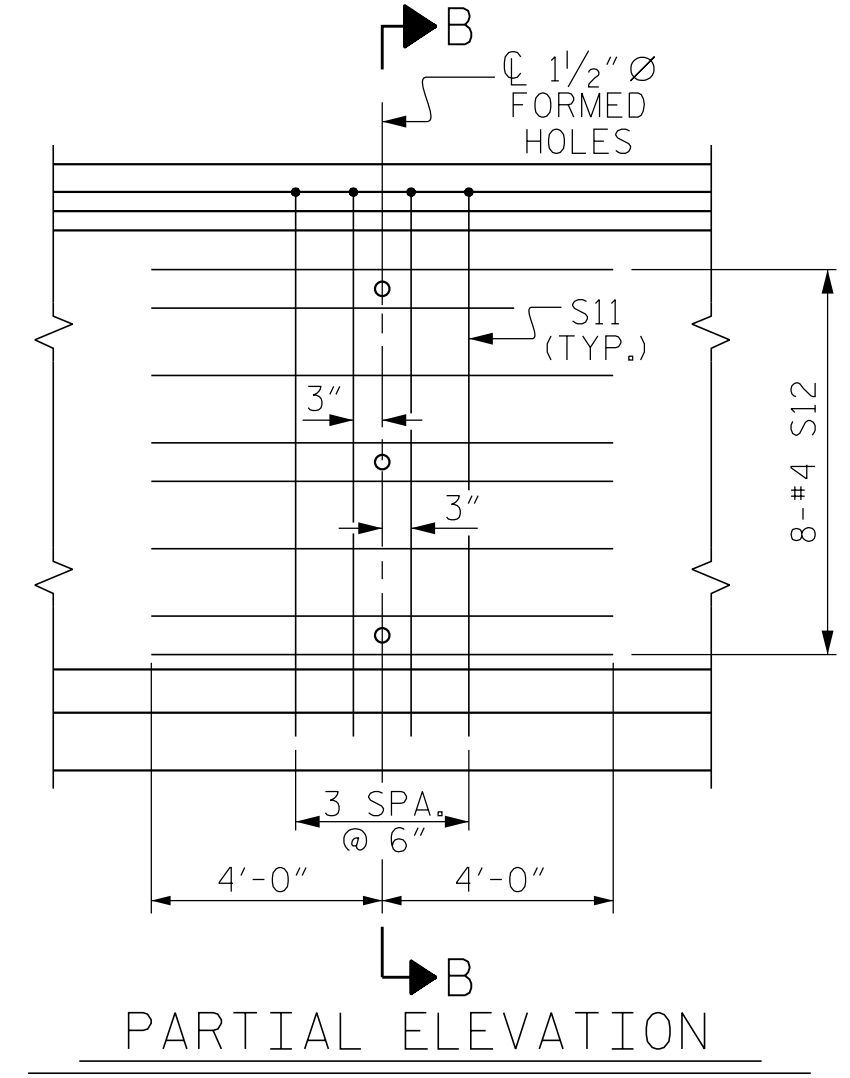
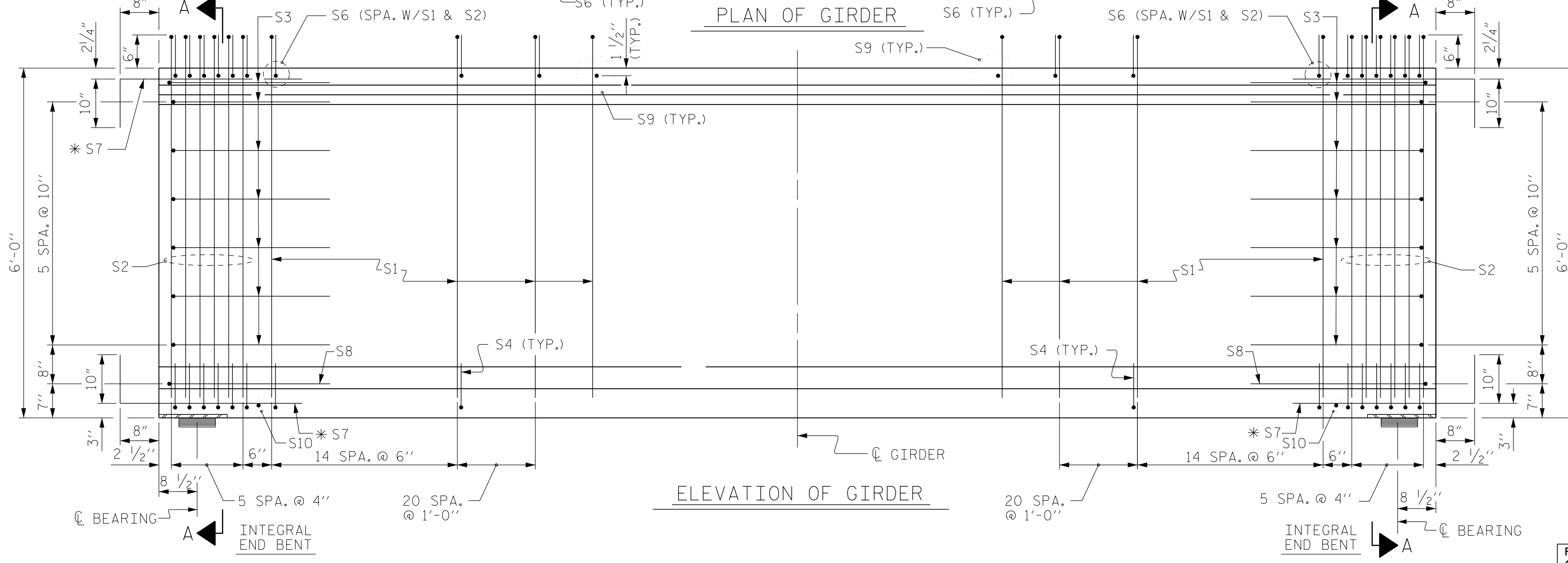
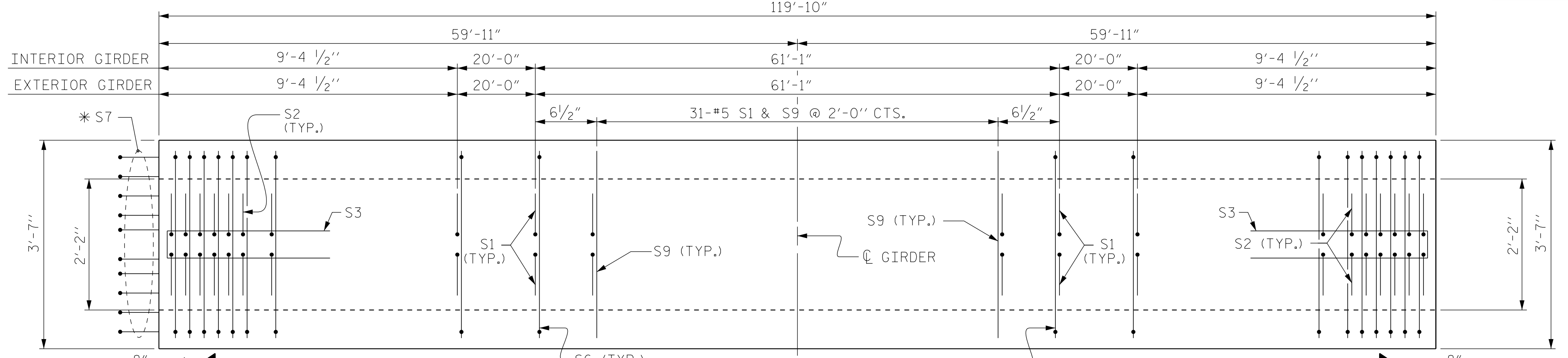
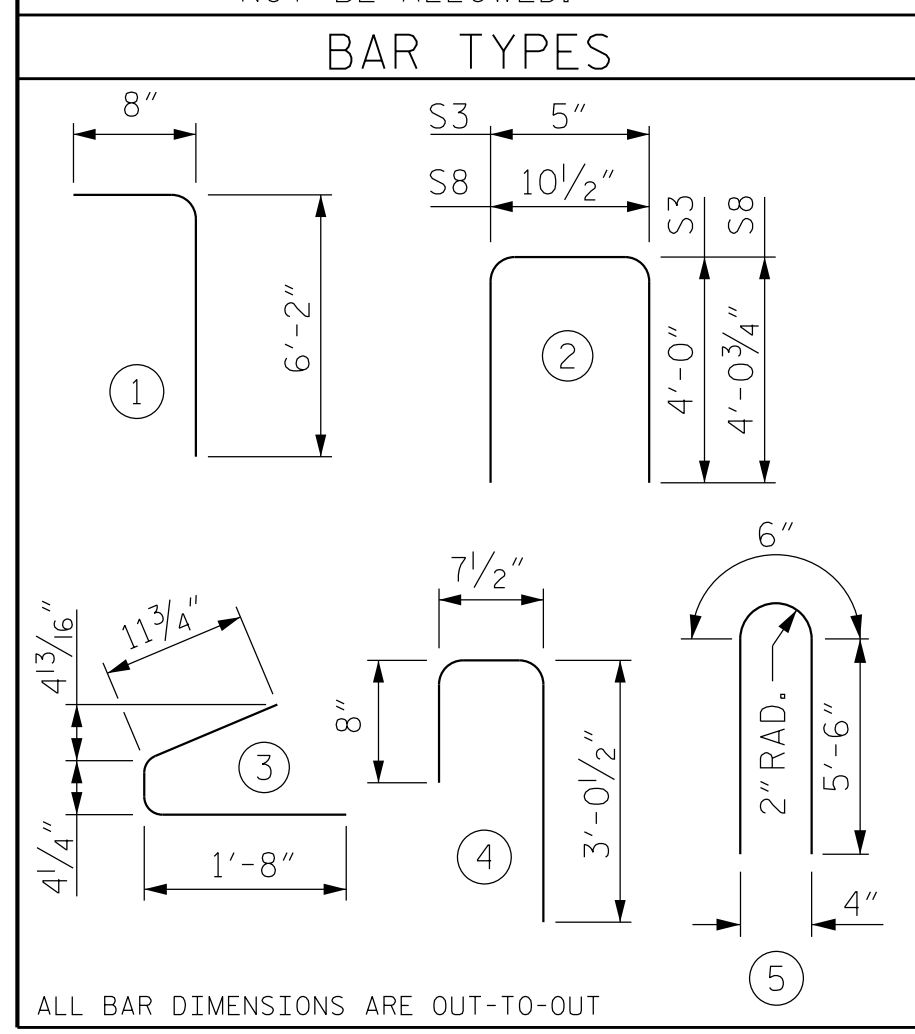


0.6" Ø L. R. GRADE 270 STRANDS		
AREA (SQUARE INCHES)	ULTIMATE STRENGTH (LBS. PER STRAND)	APPLIED PRESTRESS (LBS. PER STRAND)
0.217	58,600	43,950

REINFORCING STEEL FOR ONE GDR					
BAR	NUMBER	SIZE	TYPE	LENGTH	WEIGHT
EXTERIOR GDR. S1	202	#4	1	6'-10"	922
INTERIOR GDR. S1	202	#4	1	6'-10"	922
S2	24	#5	1	6'-10"	171
S3	14	#4	2	8'-5"	79
S4	84	#4	3	3'-0"	168
EXTERIOR GDR. S6	164	#5	4	4'-4"	741
INTERIOR GDR. S6	164	#5	4	4'-4"	741
* S7	40	#5	STR	3'-8"	153
S8	2	#5	2	9'-0"	19
S9	31	#5	STR	3'-3"	105
S10	2	#3	STR	1'-10"	1
EXTERIOR GDR. S11	8	#5	5	11'-6"	96
INTERIOR GDR. S11	8	#5	5	11'-6"	96
EXTERIOR GDR. S12	16	#4	STR	8'-0"	86
INTERIOR GDR. S12	16	#4	STR	8'-0"	86

\* NOTE: S7 BARS SHALL BE BENT BEFORE SHIPMENT. HEAT BENDING SHALL NOT BE ALLOWED.



QUANTITIES FOR ONE GIRDER			
	REINFORCING STEEL (LB.)	7,500 PSI CONCRETE (C.Y.)	0.6" Ø L.R. STRANDS (No.)
EXTERIOR GIRDER	2541	25.7	36
INTERIOR GIRDER	2541	25.7	36

GIRDERS REQUIRED		
NUMBER	LENGTH	TOTAL LENGTH
10	119'-10"	1198'-4"

PROJECT NO. R-5605  
 TRANSYLVANIA COUNTY  
 STATION: 36+73.00 -L-

STATE OF NORTH CAROLINA  
 DEPARTMENT OF TRANSPORTATION  
 RALEIGH  
 STANDARD  
 72" PRESTRESSED CONCRETE  
 MODIFIED BULB TEE  
 CONTINUOUS FOR LIVE LOAD

ASSEMBLED BY : PFC	DATE : 8/15
CHECKED BY : CMT	DATE : 8/15
DRAWN BY : EEM 2/6/97	REV. 10/1/11 MAA/GM
CHECKED BY : VAP 2/6/97	REV. 6/13 MAA/GM
	REV. 1/15 MAA/TMG

Prepared in the Office of:  
  
**Mattern & Craig**  
 CONSULTING ENGINEERS - SURVEYORS  
 FIRM LICENSE NO. C-1154  
 12 BROAD STREET  
 ASHEVILLE, NORTH CAROLINA 28801  
 (828) 254-2201 - FAX (828) 254-4562

DocuSigned by:  
  
 Steven A. Campbell 12/21/2015

REVISIONS						SHEET NO. S-7
NO.	BY:	DATE:	NO.	BY:	DATE:	
1			3			TOTAL SHEETS 51
2			4			