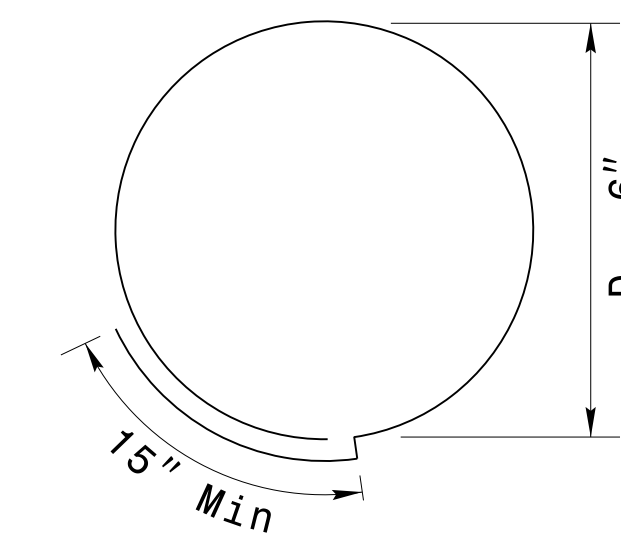
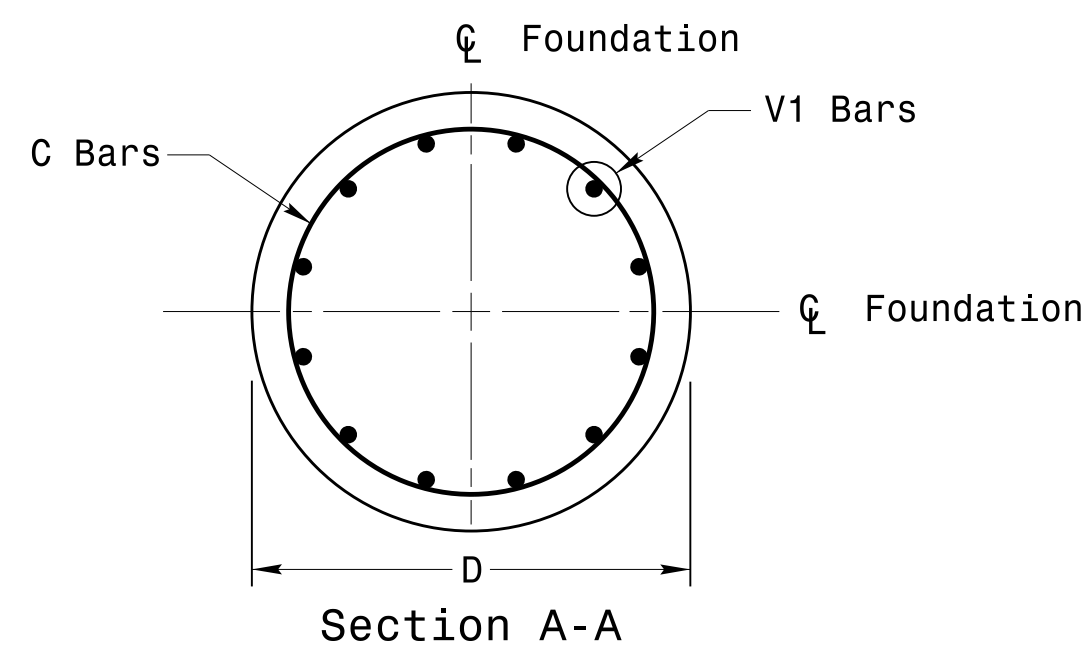
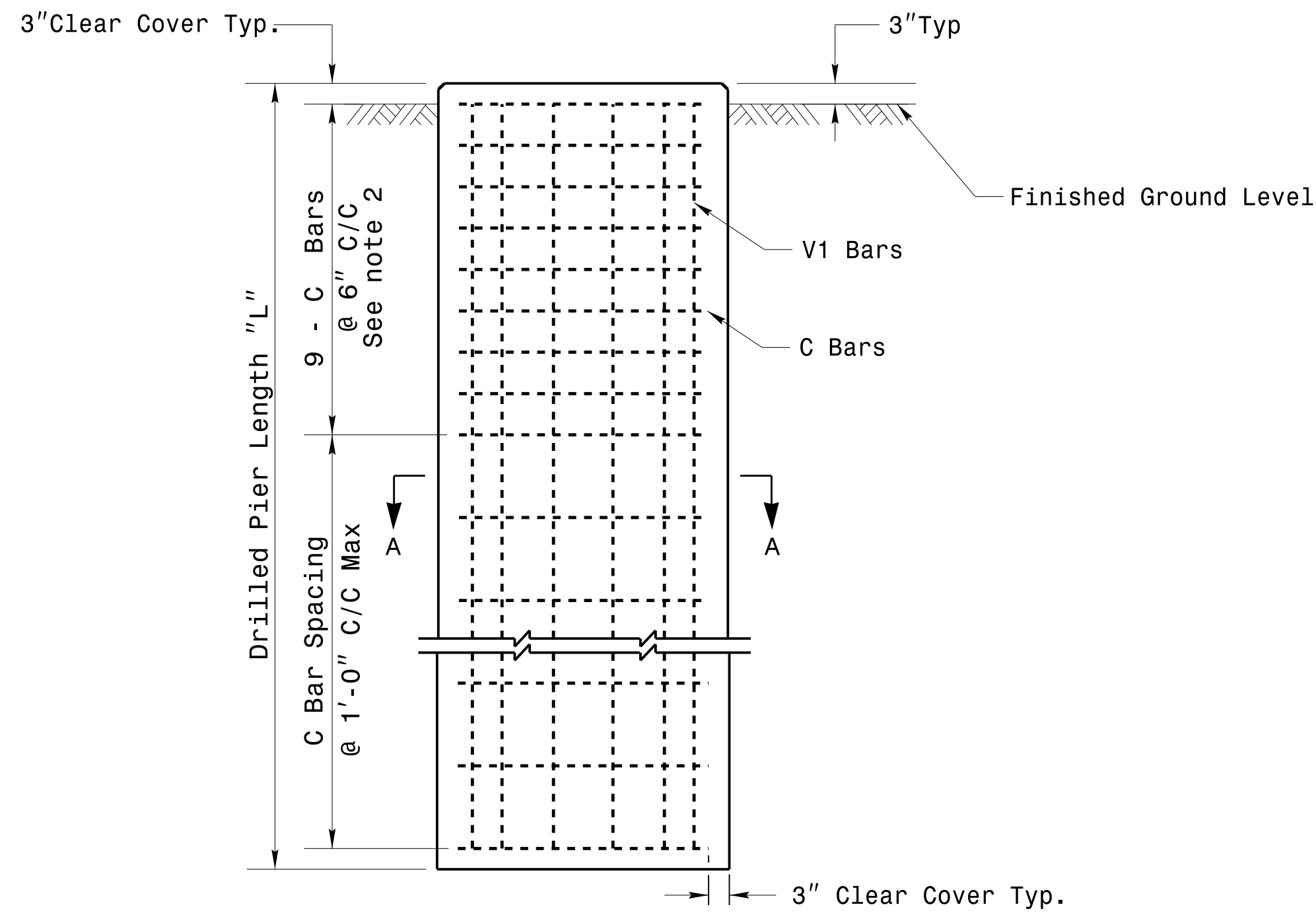


Reinforcing Steel Bars



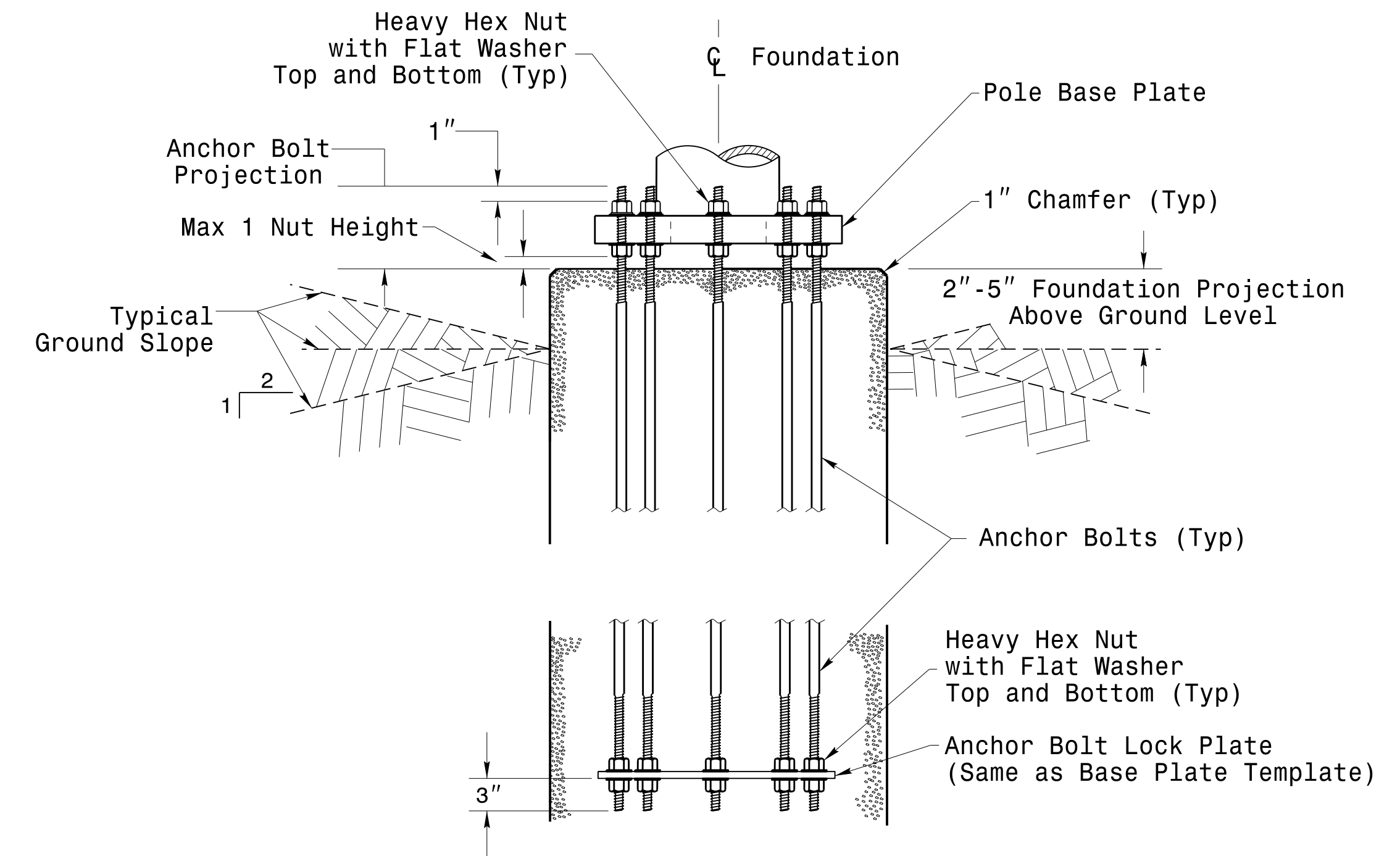
Typical "C" Bars

REINFORCING STEEL TABLE FOR STANDARD DRILL PIER SHAFT (4'-0" DIAMETER)						
Shaft Dia (in.)	Conc. Volume (cu. yds.)	Bar Name	MIN.	Size	Type	Length
48"	.465 x L	V1	***	#8	STR.	**
		C	*	#4	CIR.	12'-6"

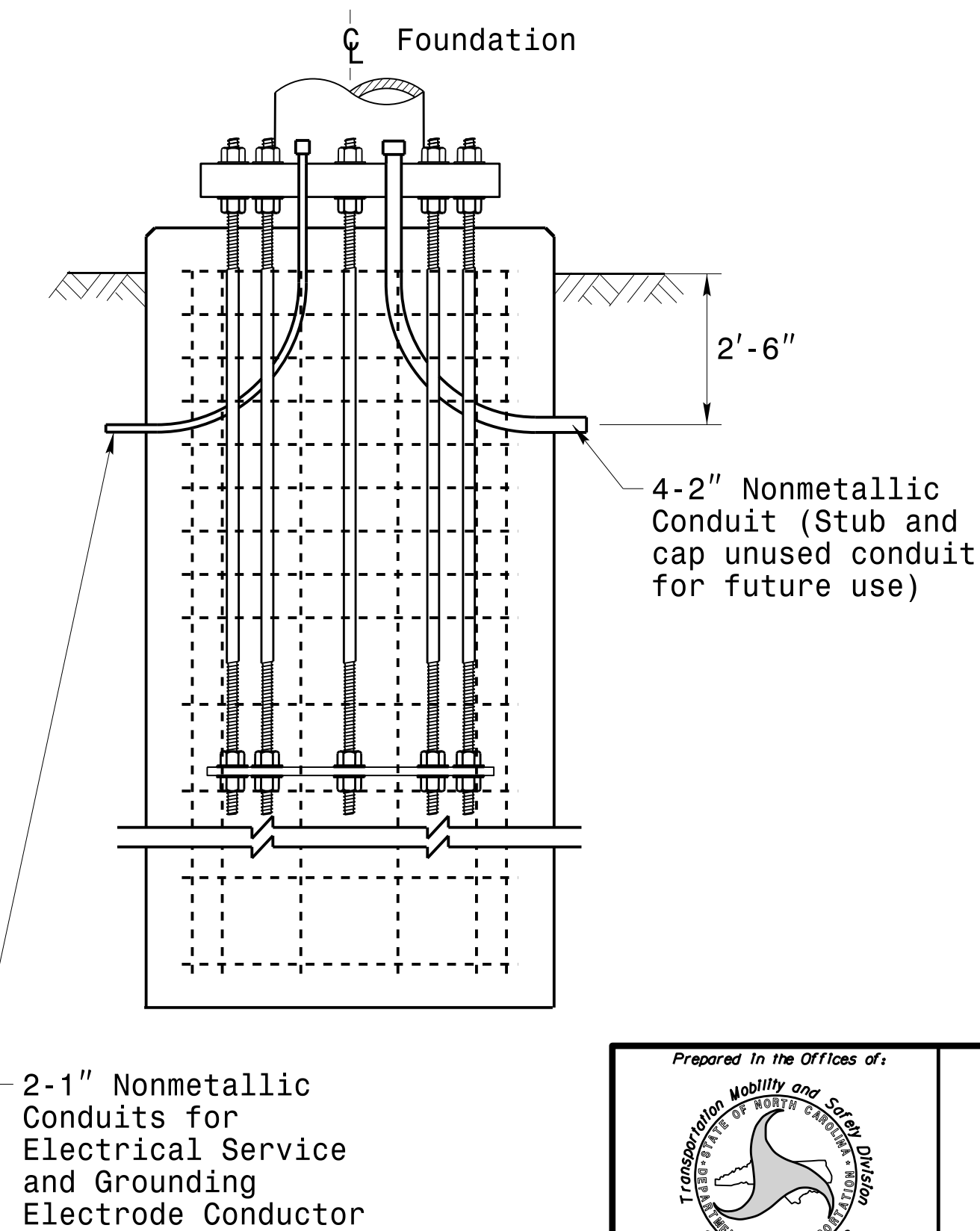
* See Note No. 1
 ** See Note No. 3
 *** See Note No. 4

Typical Foundation Anchor Bolt Details

(Reinforcing Cage Not Shown for Clarity)



Typical Foundation Conduit Details



Notes

- The number of C-bars is based on foundation depth and/or as required. For standard foundations, see sheets M 8 and M 9 for details.
- Circular tie reinforcing rings may be vertically adjusted by +/- 3" at a depth between 2'-0" and 3'-0" to facilitate the installation of electrical conduit entering in the cage.
- The length of V1-bars is based on foundation depth. For standard foundations, see sheets M 8 and M 9 for details. Vertical reinforcing bars (V1) may be horizontally adjusted by +/- 3" to facilitate the installation of electrical conduit entering into the cage.
- Provide vertical reinforcement as required per design. See sheets M 8 and M9 for details.

06-AUG-2014 08:44
 S:\TDS\115\SIGNAL\Signal Design Section\Eastern Region\M_Sheets\2012_M7_Con_Details\Foundations.dgn
 J:\Jilloway

Construction Details – Foundations

	Construction Details Foundations		
	PLAN DATE: AUGUST 2013 PREPARED BY: N. BITTING	DESIGNED BY: K.C. DURIGON REVIEWED BY: D.C. SARKAR	
SCALE: 0 NA NONE	REVISIONS:	INIT. DATE:	SIG. INVENTORY NO.: