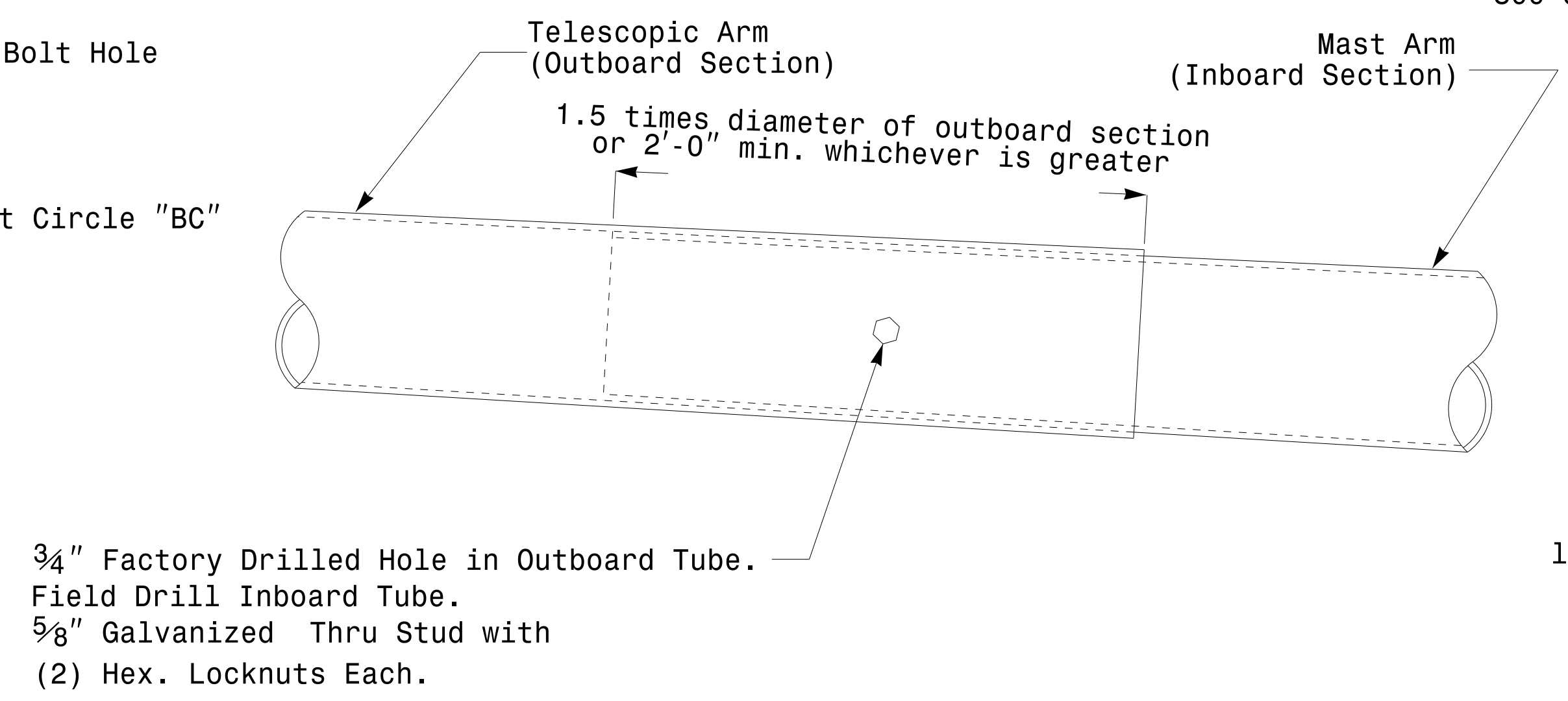
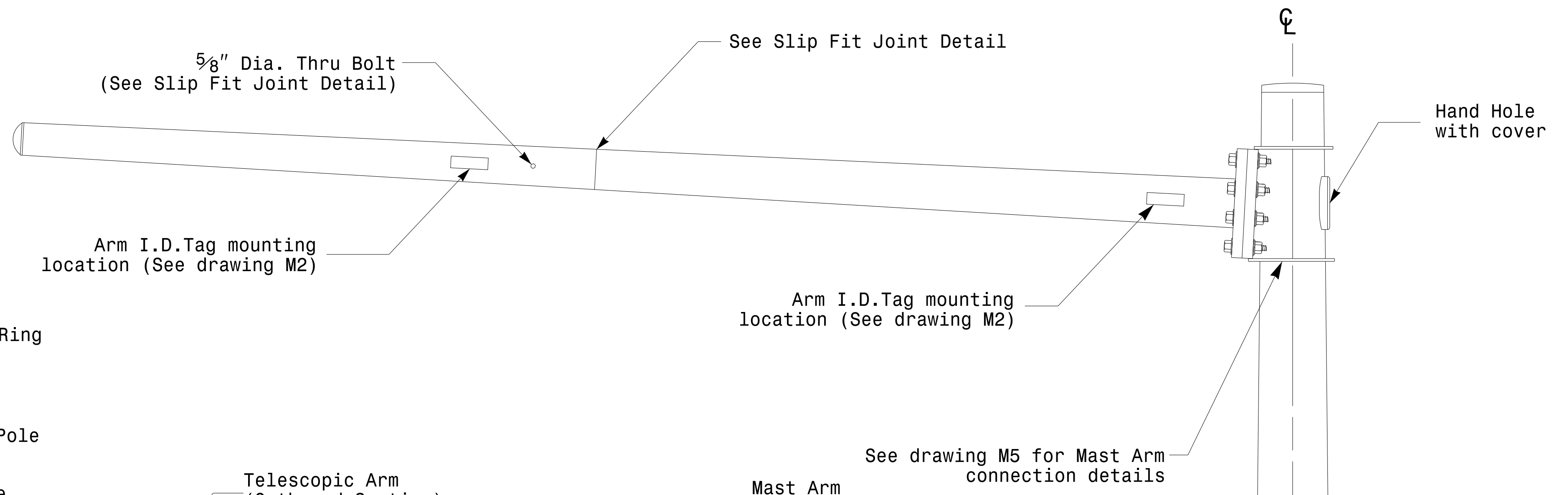
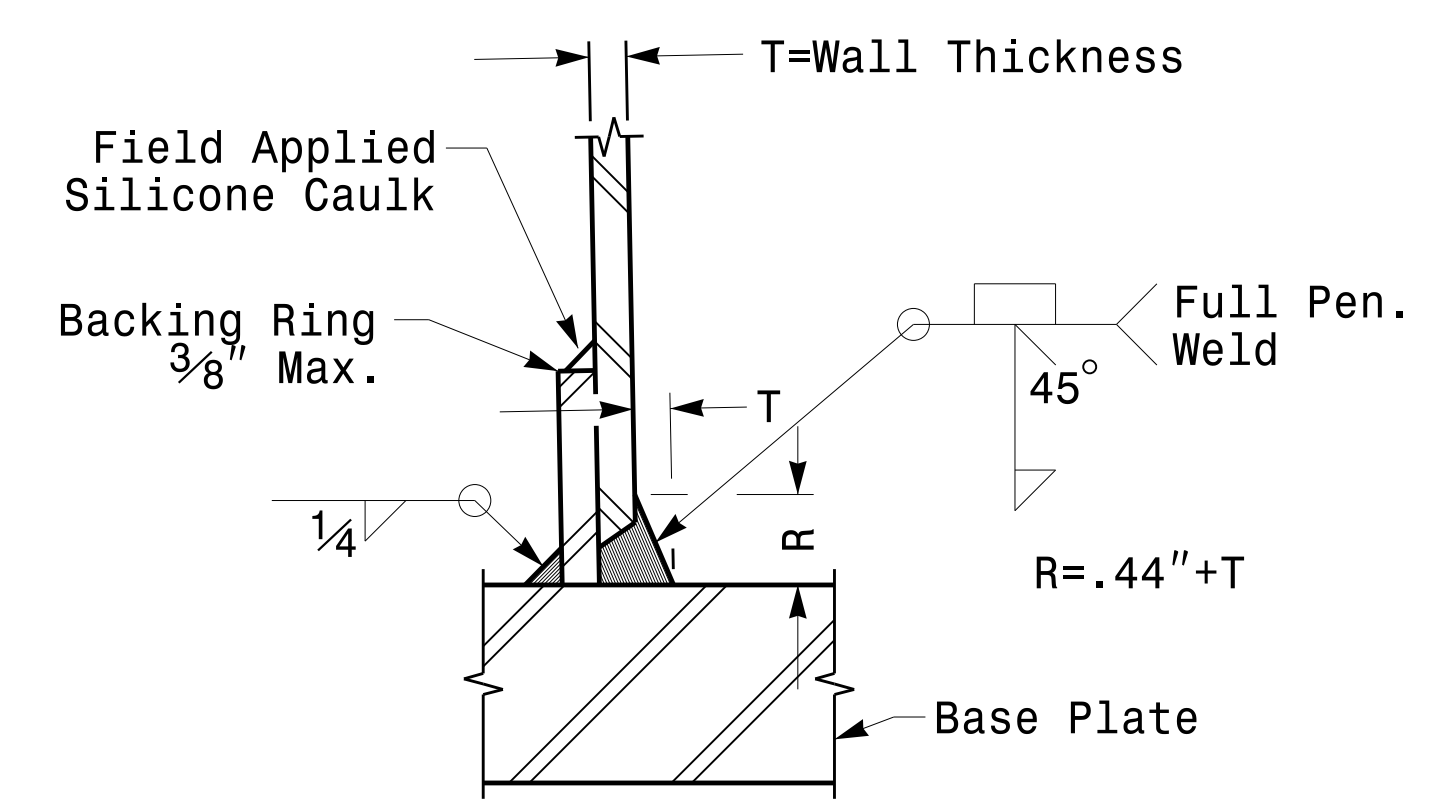


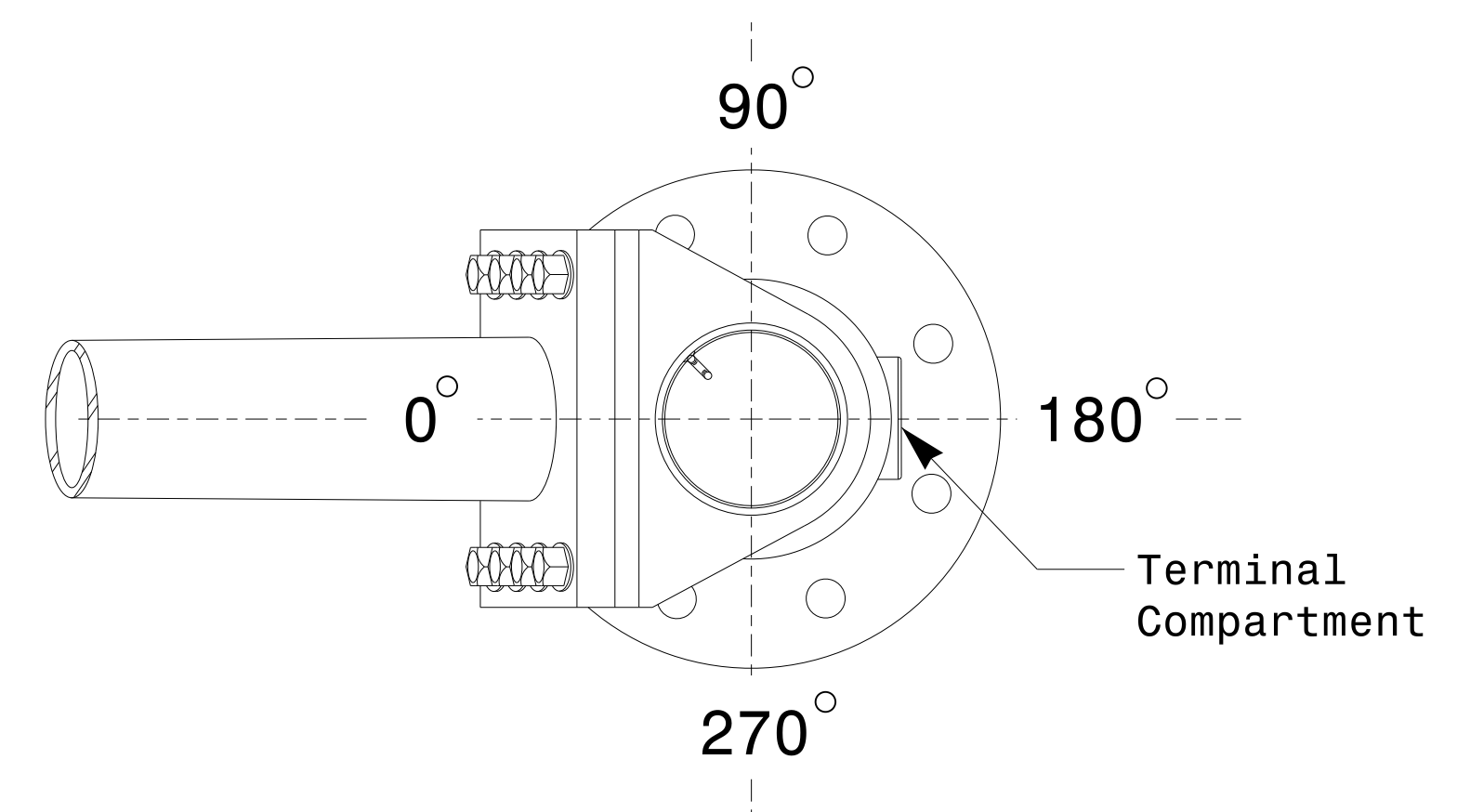
Section A-A  
(See drawing M 2)  
**Pole Base Plate**



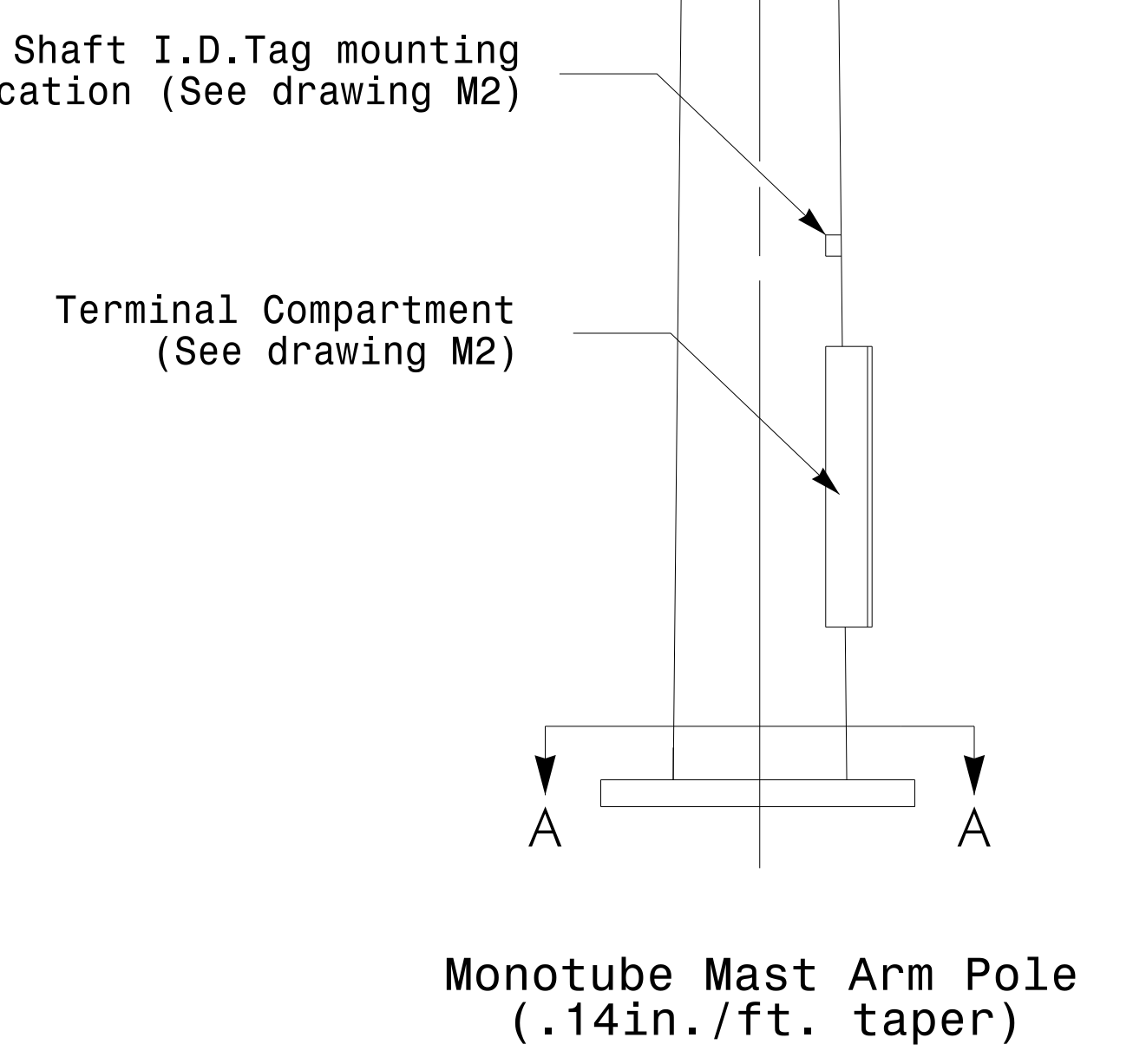
**Slip Fit Joint Detail for Mast Arm**



Section B-B  
(Pole Attachment to Base Plate)  
**Full-Penetration Groove Weld Detail**



**Mast Arm Radial Orientation**



Monotube Mast Arm Pole  
(.14in./ft. taper)

	Typical Fabrication Details for Mast Arm Poles		
	PLAN DATE: AUGUST 2013 PREPARED BY: N. BITTING	DESIGNED BY: C.F. ANDREWS REVIEWED BY: D.C. SARKAR	
SCALE: 0 NA NONE	REVISIONS:	INIT. DATE:	SIG. INVENTORY NO.:

06-AUG-2014 08:50  
 C:\Users\sigal\Documents\Signal Design\Section\Eastern Region\M4\_Fab\_Details\MastArms.dgn  
 7:00:11 am

**Fabrication Details – Mast Arm Poles**