

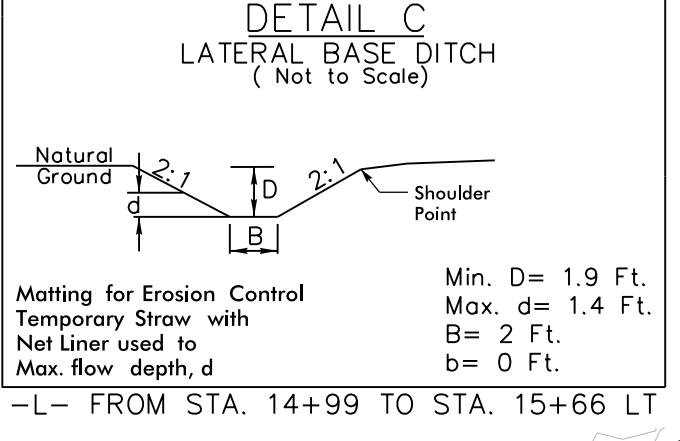
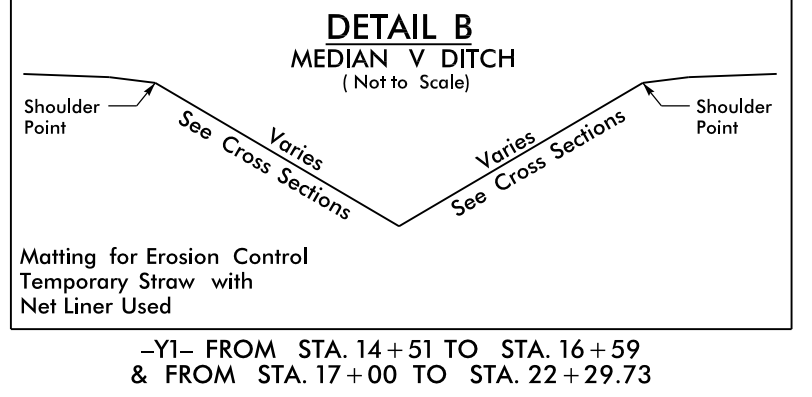
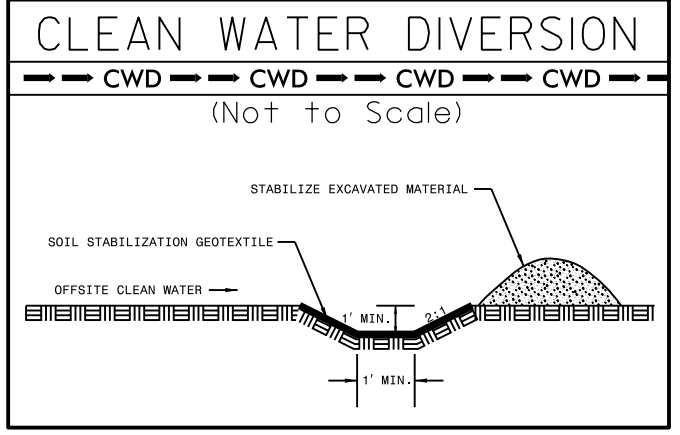
PROJECT REFERENCE NO. R-5605	SHEET NO. EC-4/CONST.4
RW SHEET NO.	
ROADWAY DESIGN ENGINEER	HYDRAULICS ENGINEER

NOTES: ANY DEVIATION FROM OPTIONS GIVEN WILL REQUIRE PRIOR APPROVAL BY ENGINEER.

ADDITIONAL EROSION CONTROL DEVICES MAY NEED TO BE INSTALLED AS DIRECTED BY THE ENGINEER.

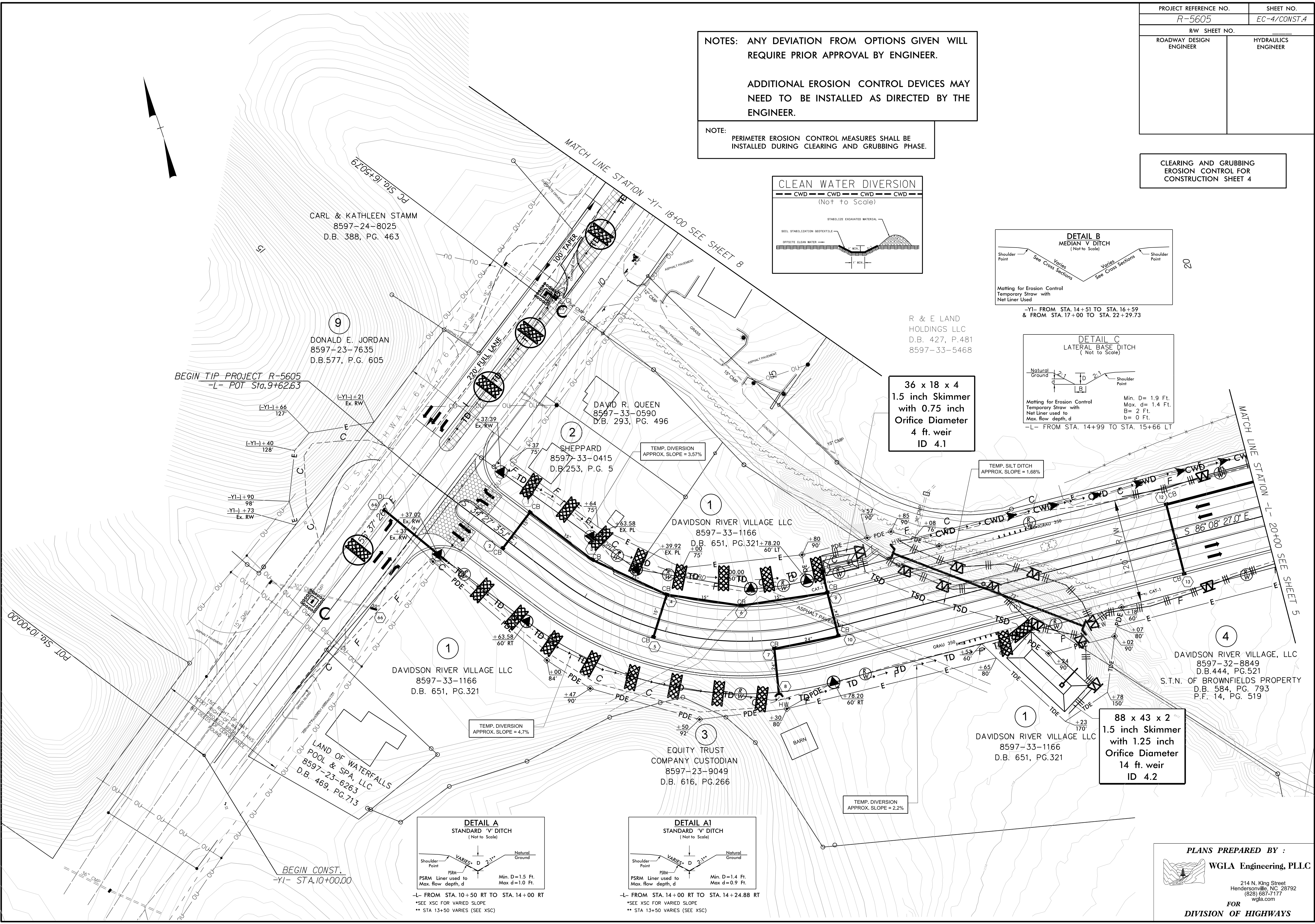
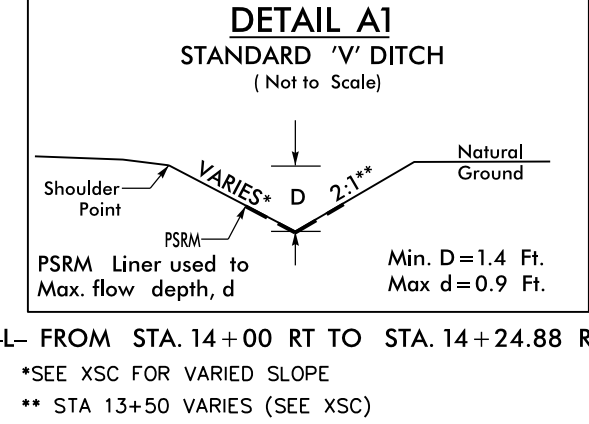
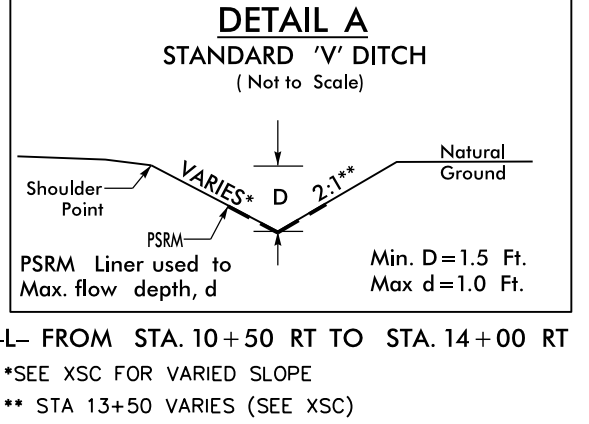
NOTE: PERIMETER EROSION CONTROL MEASURES SHALL BE INSTALLED DURING CLEARING AND GRUBBING PHASE.

CLEARING AND GRUBBING EROSION CONTROL FOR CONSTRUCTION SHEET 4



36 x 18 x 4  
1.5 inch Skimmer  
with 0.75 inch  
Orifice Diameter  
4 ft. weir  
ID 4.1

88 x 43 x 2  
1.5 inch Skimmer  
with 1.25 inch  
Orifice Diameter  
14 ft. weir  
ID 4.2



PLANS PREPARED BY :

**WGLA Engineering, PLLC**

214 N. King Street  
Hendersonville, NC 28792  
(828) 687-7177  
wglac.com

FOR  
**DIVISION OF HIGHWAYS**