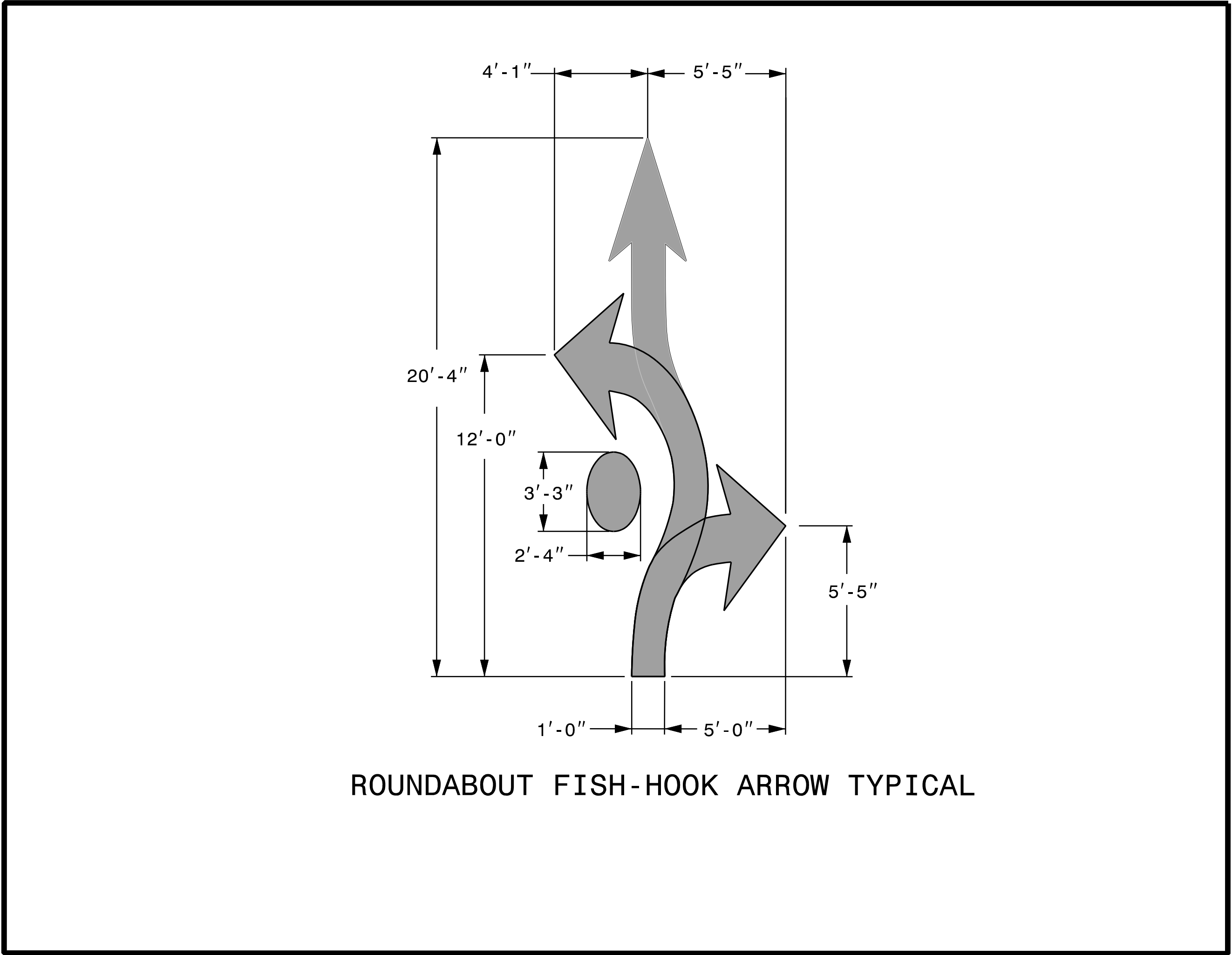


PAVEMENT MARKING SCHEDULE

<u>SYMBOL</u>	<u>MARKINGS</u>
<u>COLD APPLIED PLASTIC</u>	
DB	RIGHT TURN ARROW
DC	STRAIGHT ARROW
DD	COMBO. LEFT/STRAIGHT ARROW
DK	BICYCLE STRAIGHT ARROW
DJ	BICYCLE SYMBOL
<u>THERMOPLASTIC</u>	
T2	WHITE STOPBAR (24", 120 MIL)
T3	WHITE CROSSWALK LINE (24", 120 MIL)
UA	LEFT TURN ARROW (90 MIL)
UB	RIGHT TURN ARROW (90 MIL)
UC	STRAIGHT ARROW (90 MIL)
UD	COMBO. LEFT/STRAIGHT ARROW (90 MIL)
UE	COMBO. RIGHT/STRAIGHT ARROW (90 MIL)
UJ	BICYCLE SYMBOL, HEATED-IN-PLACE (90 MIL)
UK	BICYCLE STRAIGHT ARROW, HEATED-IN-PLACE (90 MIL)
UN	24" YIELD LINE TRIANGLE (90 MIL)
UT	U-TURN ARROW (90 MIL)
UW	FISH-HOOK RIGHT/STRAIGHT ARROW (90 MIL)
WB	FISH-HOOK W/CIRCLE LEFT/STRAIGHT ARROW (90 MIL)
WC	FISH-HOOK W/CIRCLE LEFT/RIGHT/STRAIGHT ARROW (90 MIL)
<u>POLYUREA</u>	
V8	2 FT. - 6 FT./SP WHITE MINISKIP (4")
V10	3 FT. - 3 FT./SP WHITE MINISKIP (8")
VA	WHITE EDGELINE (4")
VB	YELLOW EDGELINE (4")
VC	10 FT. WHITE SKIP (4")
VD	3 FT. - 9 FT./SP WHITE MINISKIP (4")
VE	WHITE SOLID LANE LINE (4")
VI	YELLOW DOUBLE CENTER (4")
VN	WHITE GORELINE (8")



E:\34533.PM Drv Connector Road\Davidson River Village\Traffic\Signing\CADD\Signing Layout Plans\R5605_PMP_tsh.dgn
 12/21/2015 11:33:00 AM
 JBV