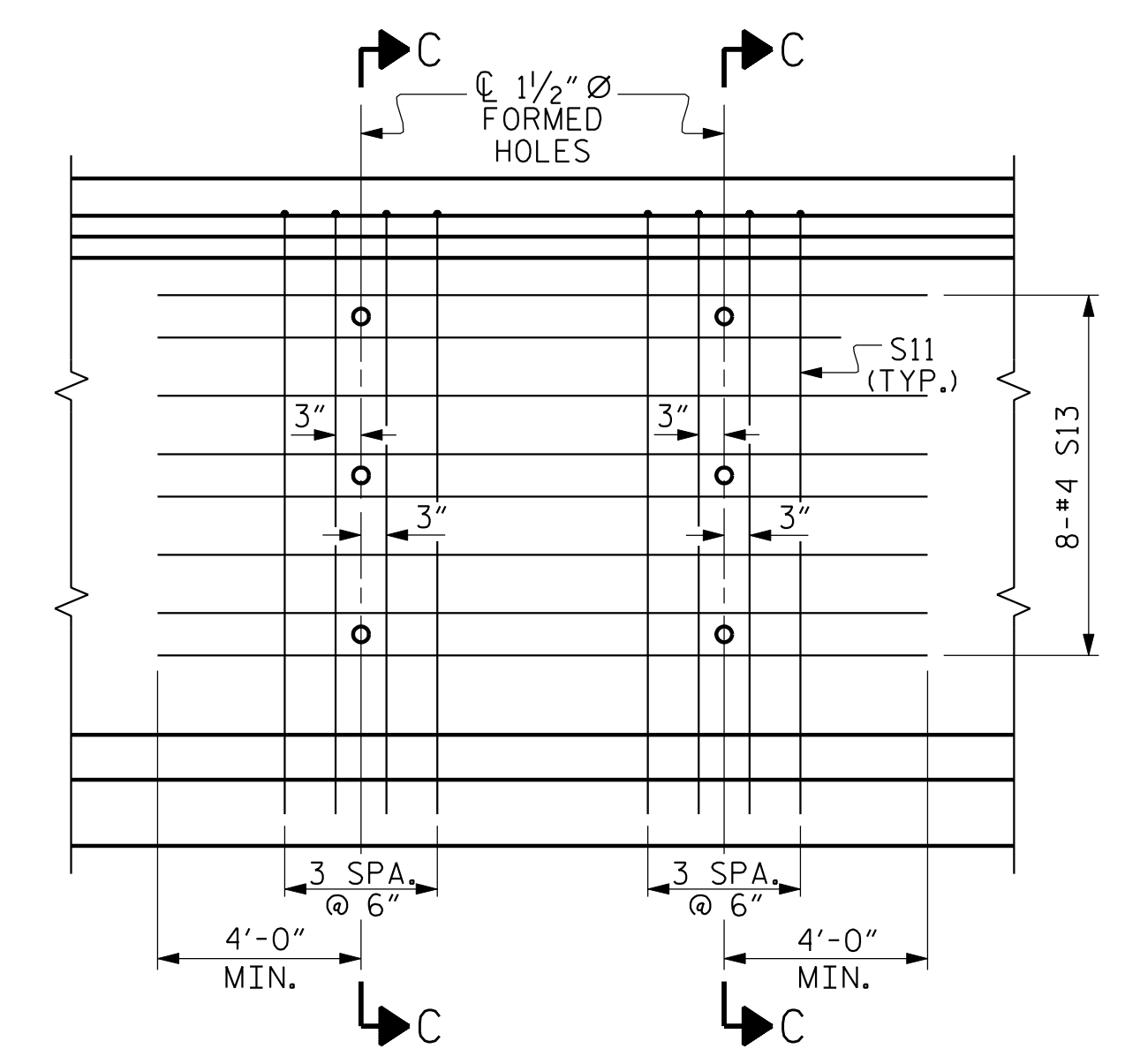
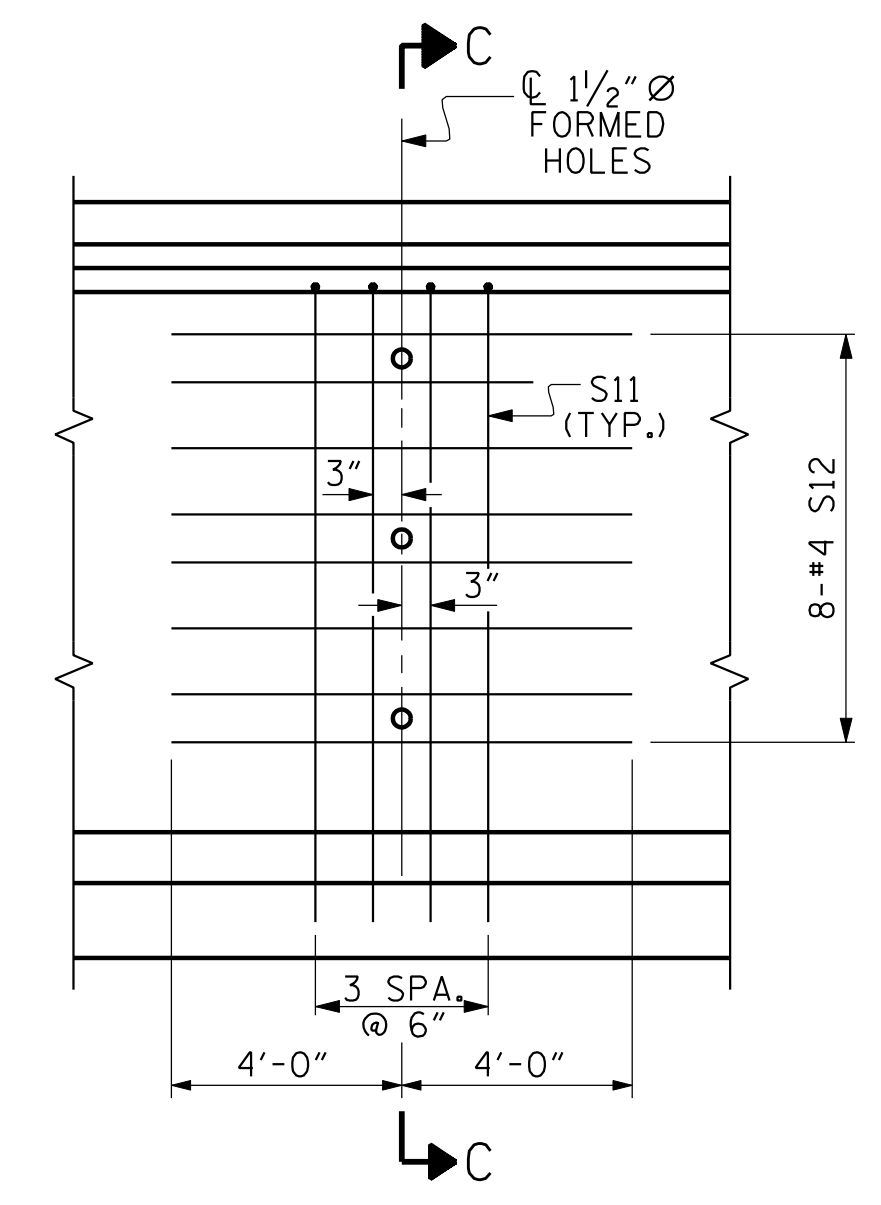


SECTION C-C  
(S1, S6 AND S9 BARS NOT SHOWN)



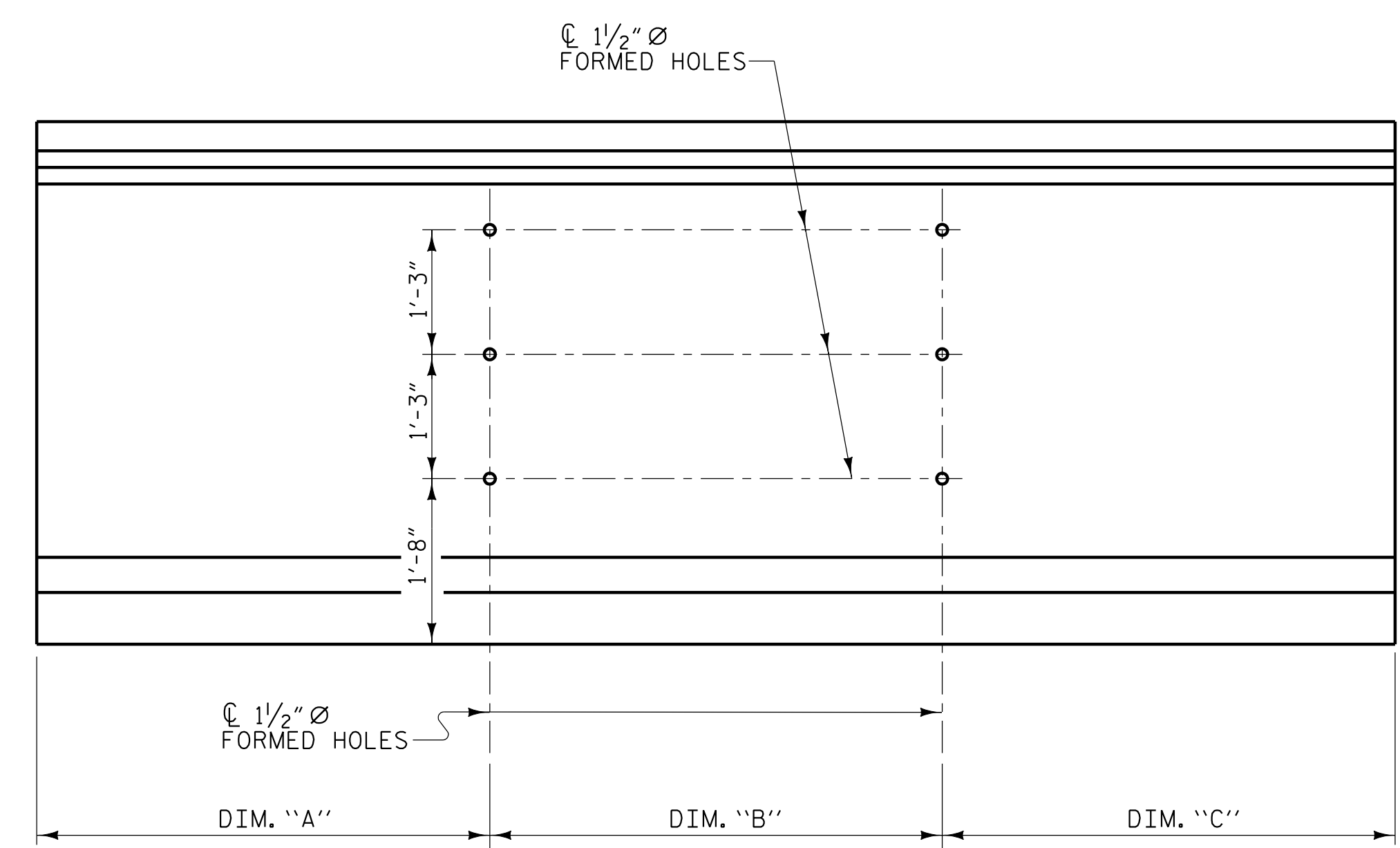
INTERIOR GIRDER



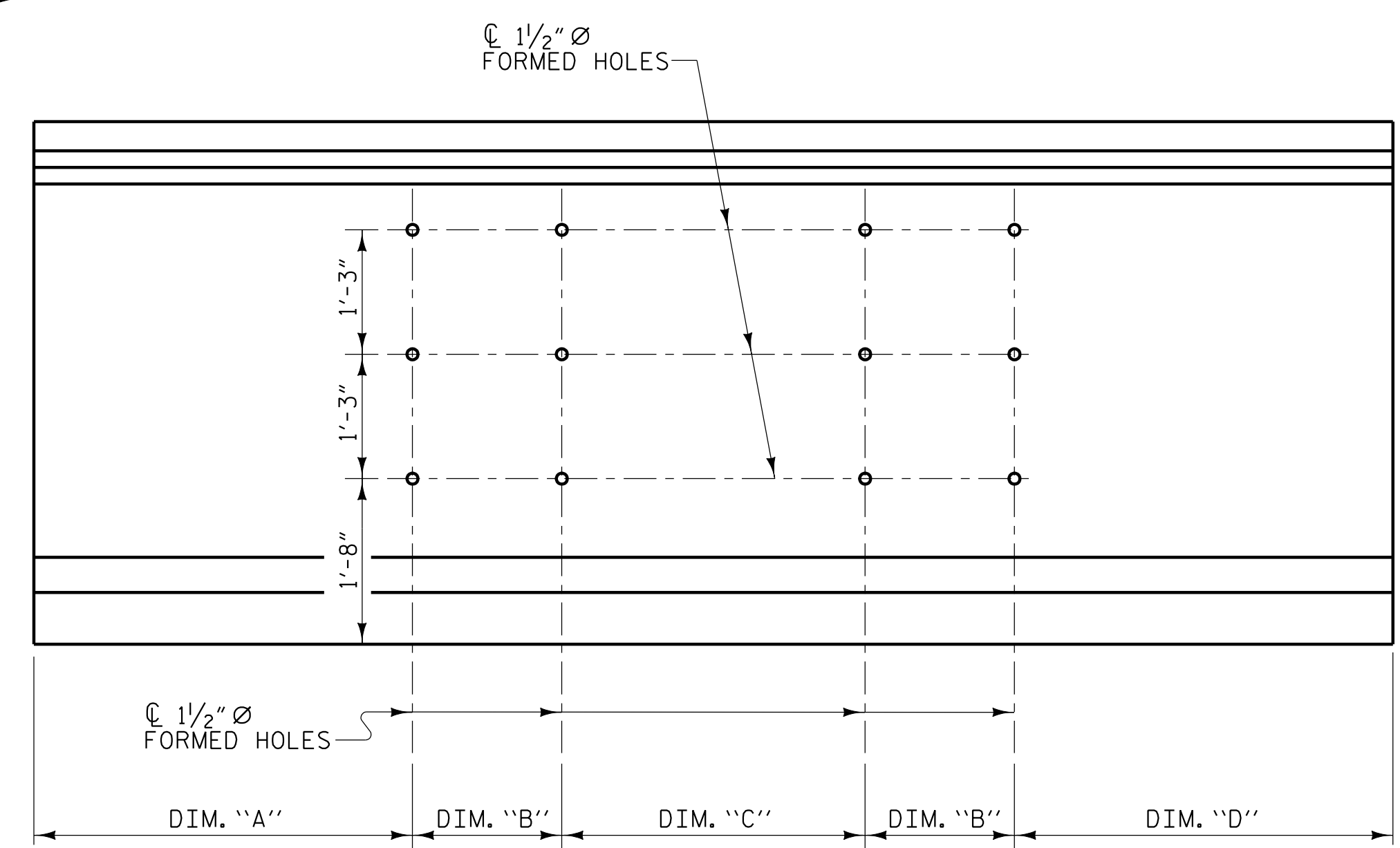
EXTERIOR GIRDER

PARTIAL ELEVATION  
SHOWING INTERMEDIATE STEEL DIAPHRAGM  
REINFORCING STEEL FOR GIRDER

UP-STATION →



EXTERIOR GIRDER



INTERIOR GIRDER

BOLT HOLE PLACEMENT

BOLT HOLE PLACEMENT DIMENSIONS				
GDR. NO.	SPAN A & SPAN B			
	DIM. "A"	DIM. "B"	DIM. "C"	DIM. "D"
1	32'-7 1/4"	34'-9"	38'-3 5/8"	-
2	32'-7 1/4"	5'-8 3/8"	29'-0 5/8"	32'-7 1/4"
3	32'-7 1/4"	5'-8 3/8"	29'-0 5/8"	32'-7 1/4"
4	38'-3 5/8"	34'-9"	32'-7 1/4"	-

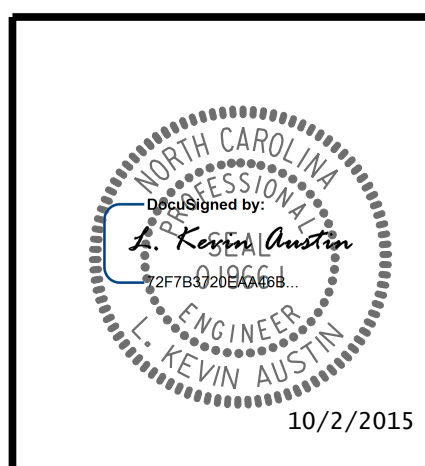
PROJECT NO. W-5518  
COLUMBUS COUNTY  
 STATION: 24+06.36 -L- POT

SHEET 2 OF 4

STATE OF NORTH CAROLINA  
 DEPARTMENT OF TRANSPORTATION  
 RALEIGH  
 PRESTRESSED CONCRETE GIRDER  
 CONTINUOUS FOR LIVE LOAD  
 DETAILS

REVISIONS						SHEET NO.
NO.	BY:	DATE:	NO.	BY:	DATE:	S-11
1			3			TOTAL SHEETS
2			4			33

DRAWN BY : W. B. ALLEN DATE : 12/14  
 CHECKED BY : Z. H. BROWN DATE : 1/15  
 DESIGN ENGINEER OF RECORD: L. K. AUSTIN DATE : 8/15



10/2/2015 1:47:25 PM RA:\Structures\W5518\SMU\_02.dwg