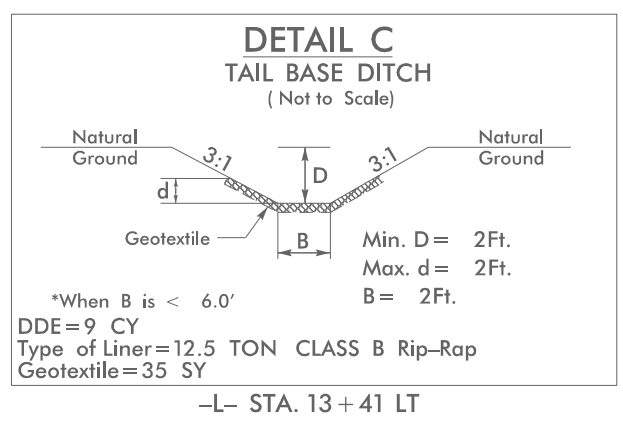
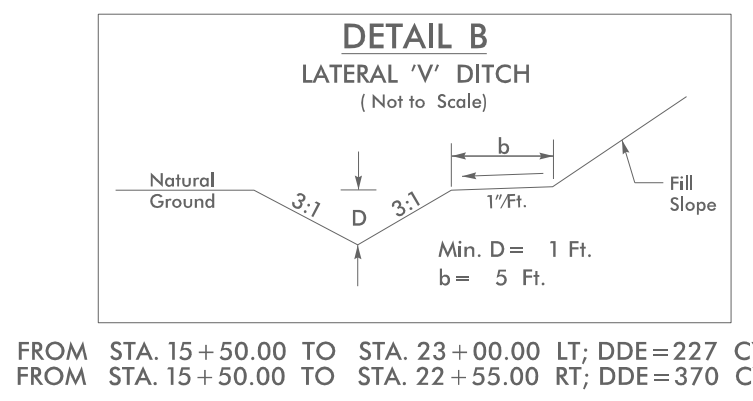
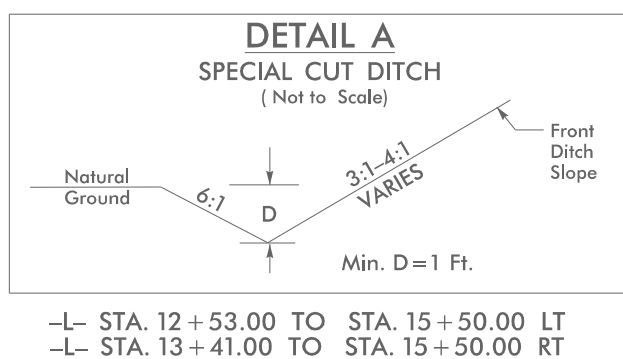
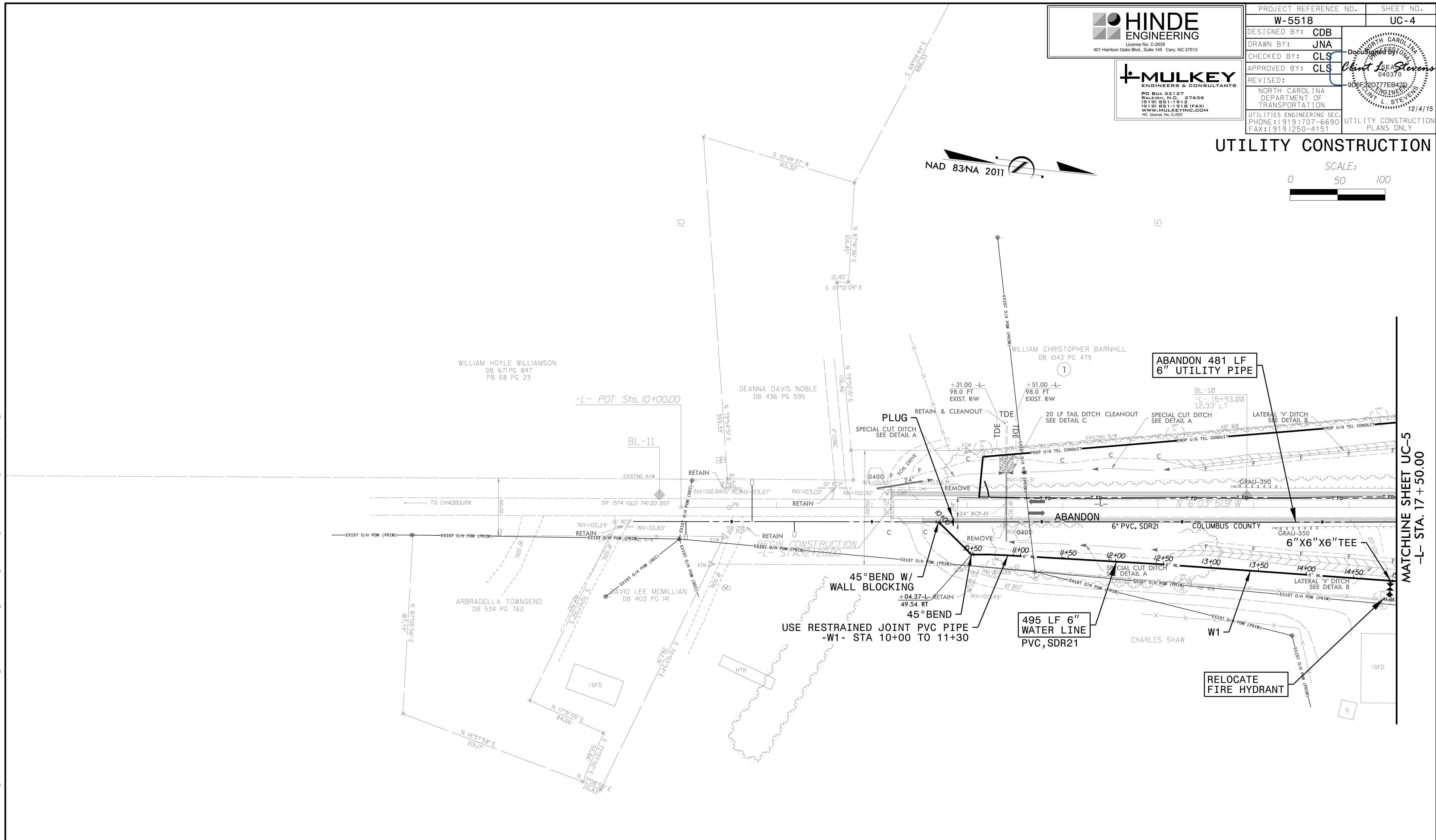
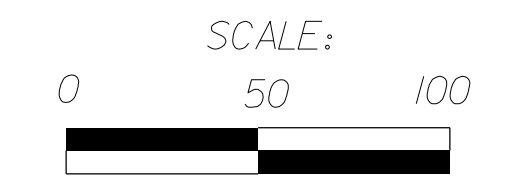


HINDE ENGINEERING
 License No. C-2639
 401 Harrison Oaks Blvd., Suite 145 Cary, NC 27513

MULKEY ENGINEERS & CONSULTANTS
 PO Box 33127
 Raleigh, N.C. 27636
 (919) 851-1912
 (919) 851-1918 (FAX)
 WWW.MULKEYINC.COM
 NC License No. C-2021

PROJECT REFERENCE NO.	W-5518	SHEET NO.	UC-4
DESIGNED BY:	CDB		
DRAWN BY:	JNA		
CHECKED BY:	CLS		
APPROVED BY:	CLS		
REVISED:			
NORTH CAROLINA DEPARTMENT OF TRANSPORTATION		UTILITY CONSTRUCTION PLANS ONLY	
UTILITIES ENGINEERING SEC. PHONE: (919) 707-6690 FAX: (919) 250-4151			

UTILITY CONSTRUCTION



24-DEC-2015 09:15 PROJECTS\2014\A20141202\00 Mulkey - Chadbourn-W-5518\Design\Utilities\Engineering\UC\Proj\W5518_ut_rdy4_UC04_psh.dgn
 3:38:58 PM

MATCHLINE SHEET UC-5
 —L— STA. 17+50.00