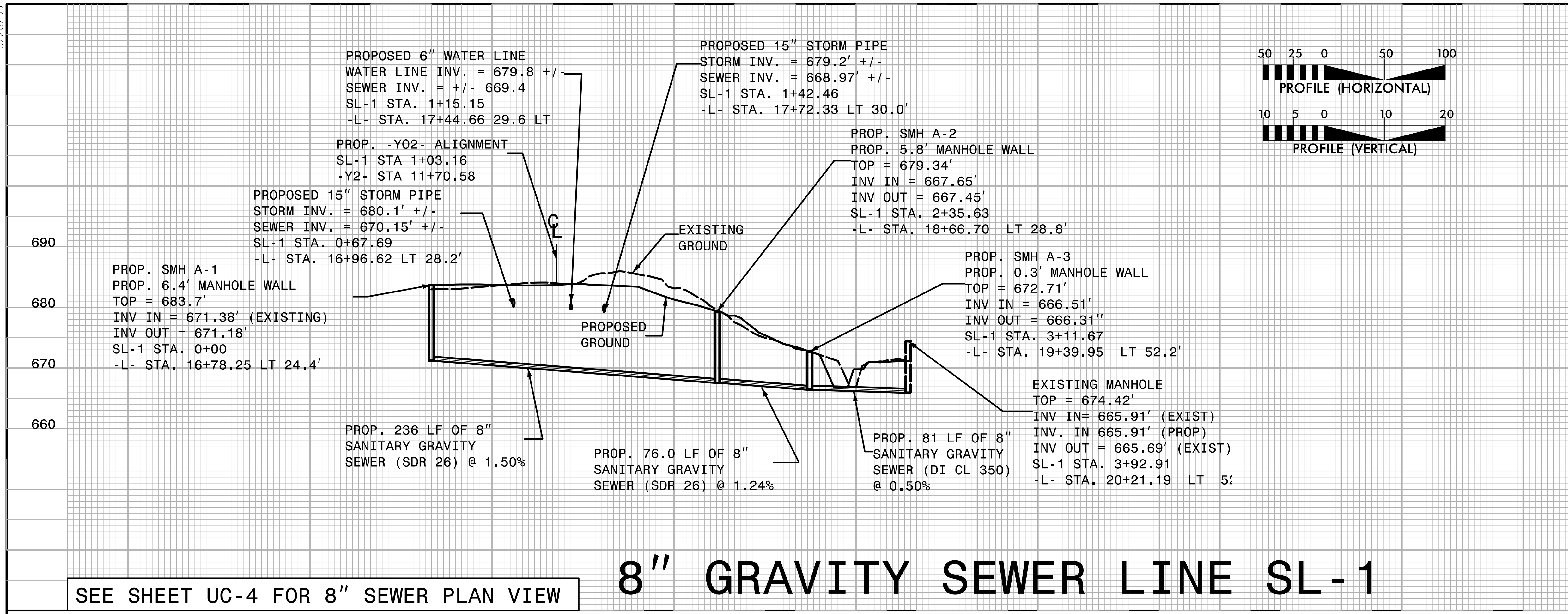


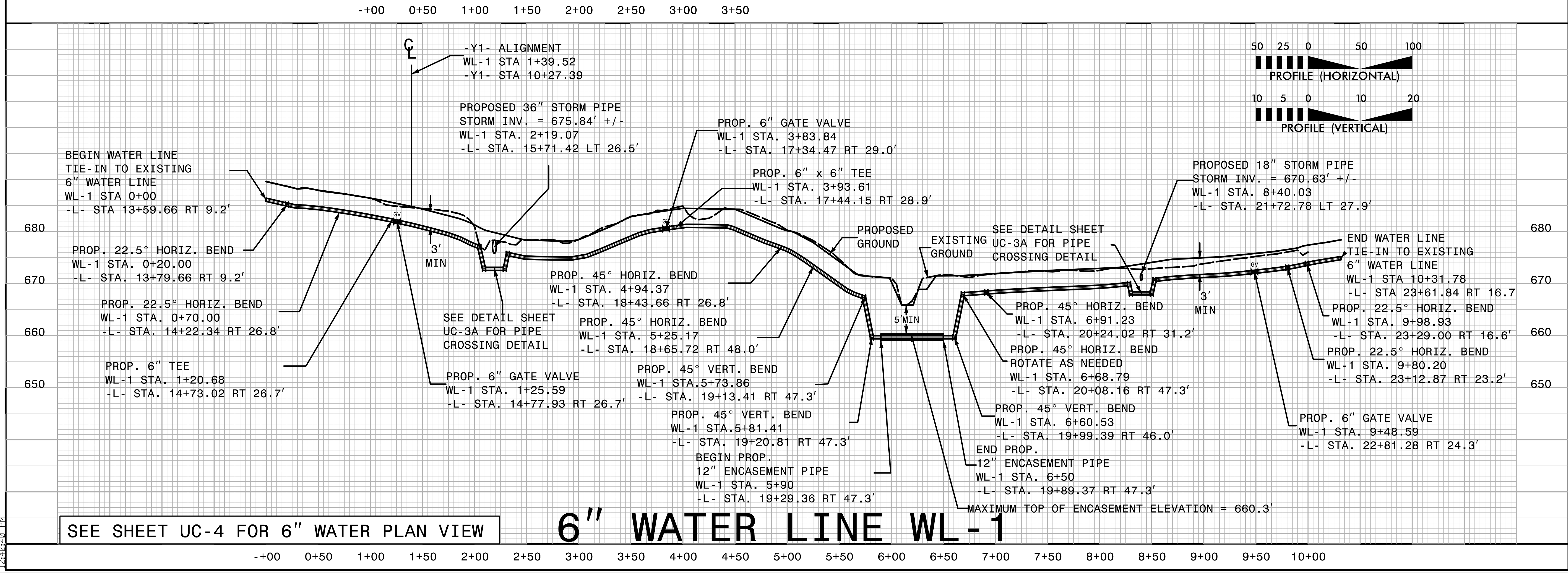
5/28/99

PROJECT REFERENCE NO. <b>B-5243</b>	SHEET NO. <b>UC-6</b>
DESIGNED BY: BCH	
DRAWN BY: BCH	
CHECKED BY: JLT	
APPROVED BY: MRB	
REVISED:	10/27/2015
NORTH CAROLINA DEPARTMENT OF TRANSPORTATION	
UTILITIES ENGINEERING SEC. PHONE: (919) 707-6690 FAX: (919) 250-4151	UTILITY CONSTRUCTION PLANS ONLY
804-C N. LAFAYETTE ST SHELBY, NC 28150 PH (704) 476-0003 CORP. LICENSE NO. C-0275	



# 8" GRAVITY SEWER LINE SL-1

SEE SHEET UC-4 FOR 8" SEWER PLAN VIEW



# 6" WATER LINE WL-1

SEE SHEET UC-4 FOR 6" WATER PLAN VIEW

I:\272015\B-5243\Utilities\RDy-Ut\Proj\B-5243\_ut\_pf1\_UC(6-7)\_psh.dgn 12:40:40 PM