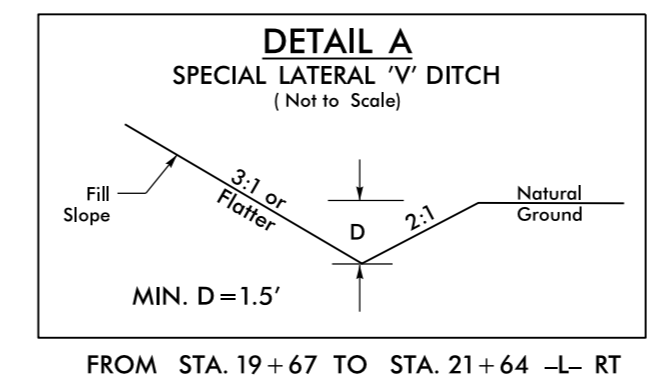
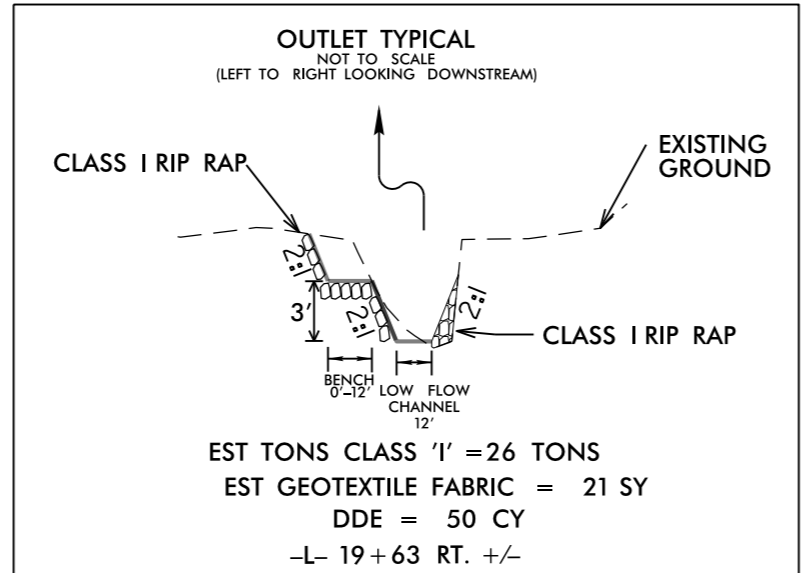
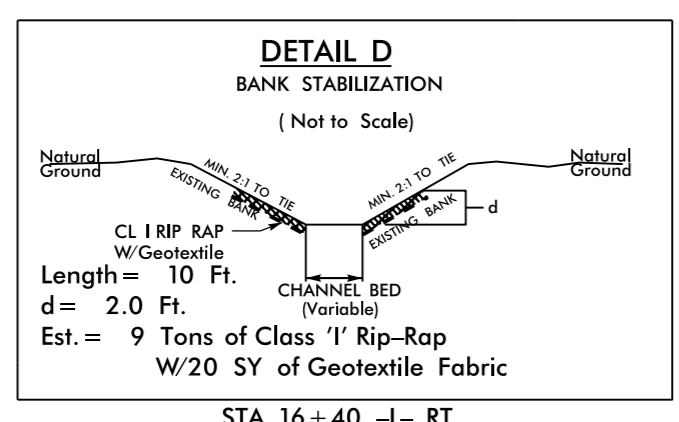
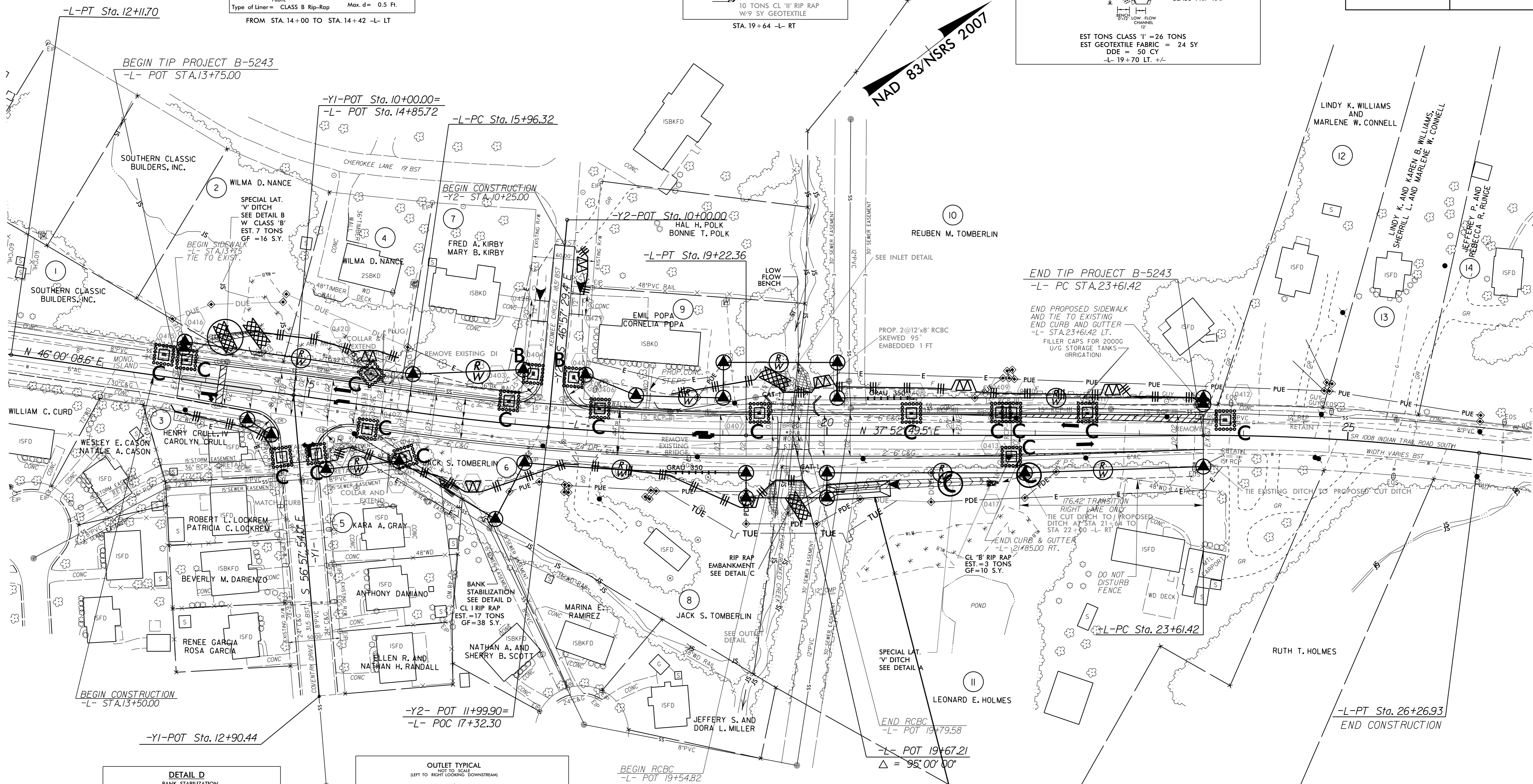
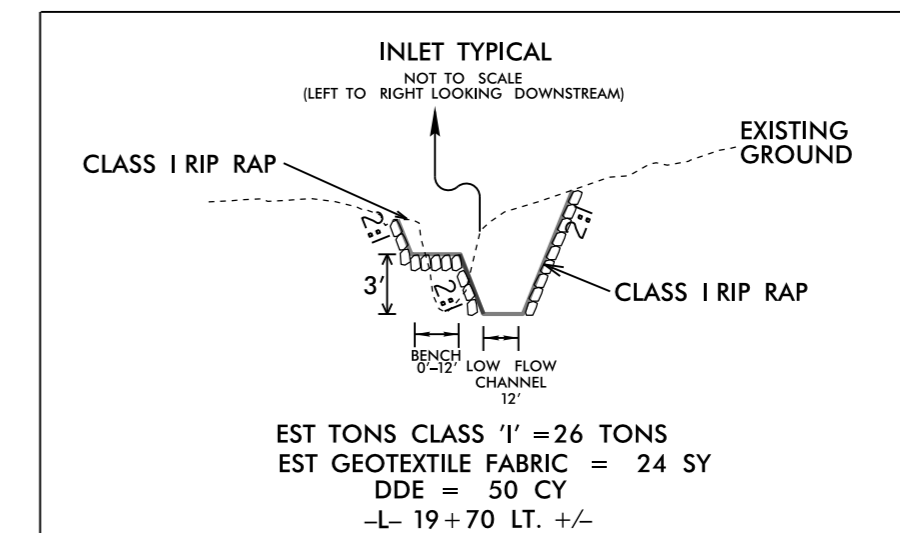
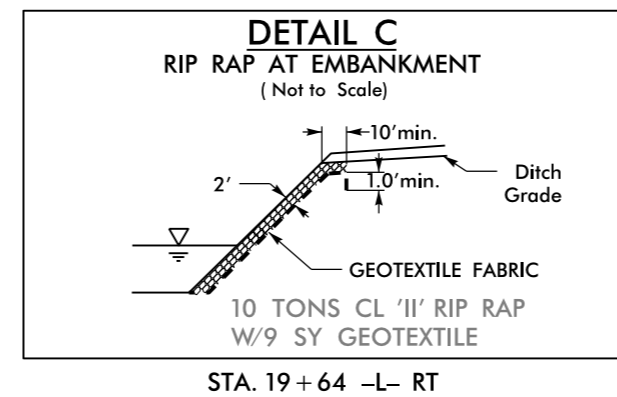
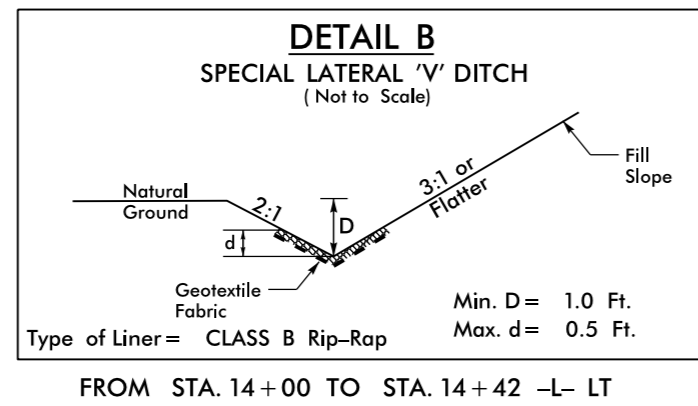


PROJECT REFERENCE NO.		SHEET NO.	
B-5243		EC-7/CONST.4	
RW SHEET NO.			
ROADWAY DESIGN ENGINEER		HYDRAULICS ENGINEER	



61 x 15 x 3
1.5 inch Skimmer
with 0.75 inch
Orifice Diameter
7 ft. weir
ID 4.1

5/14/99
01-OCT-2015 13:57
R:\Environment\B-5243-EC.psh04.dgn