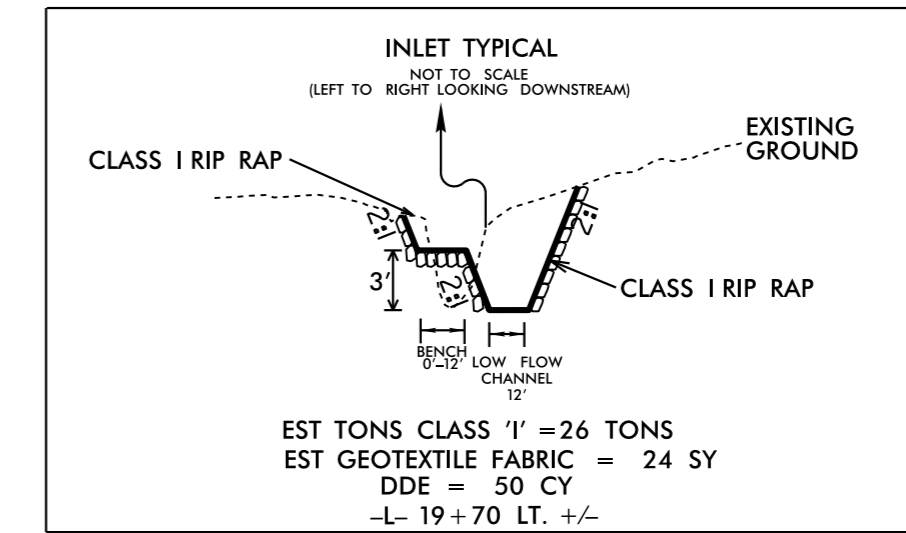
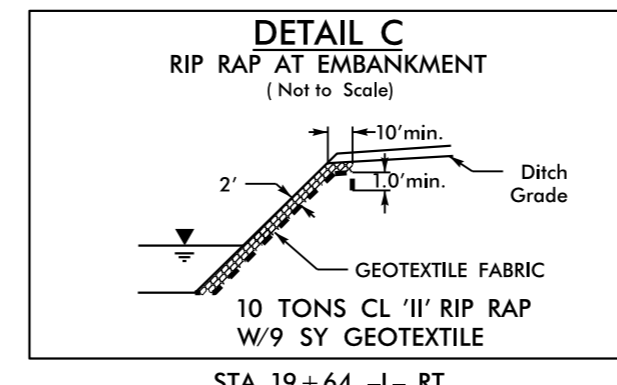
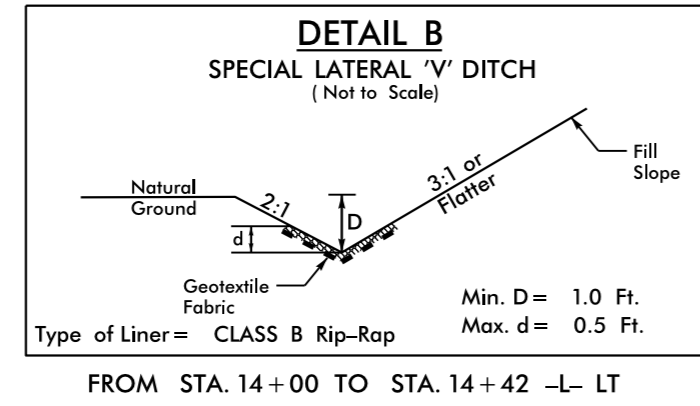


SEE SHEETS C-1 THRU C-6 FOR CULVERT PLANS

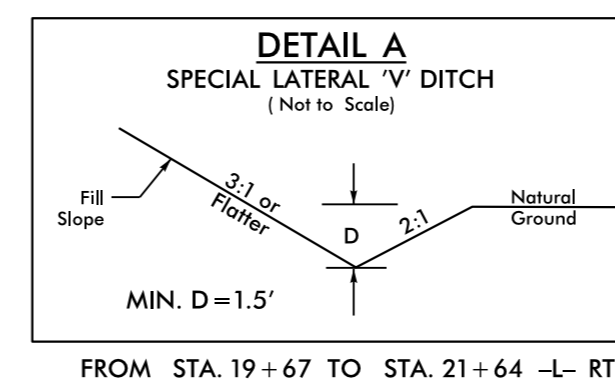
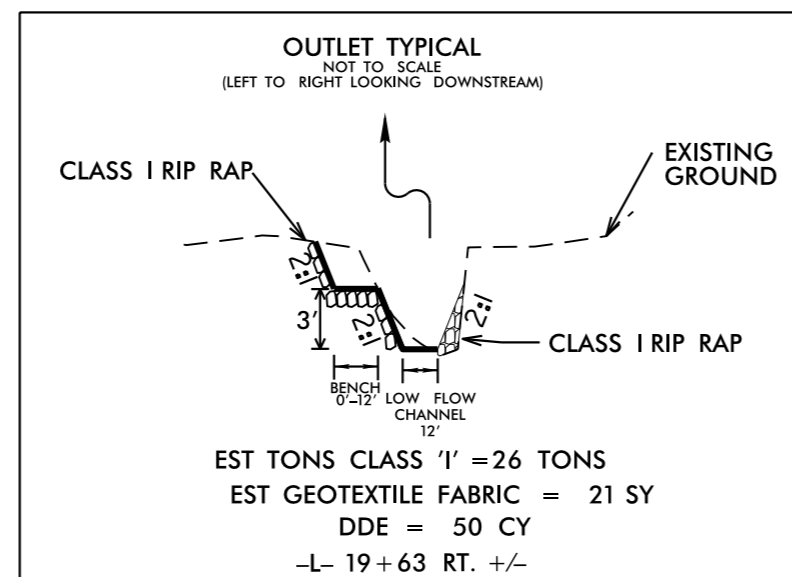
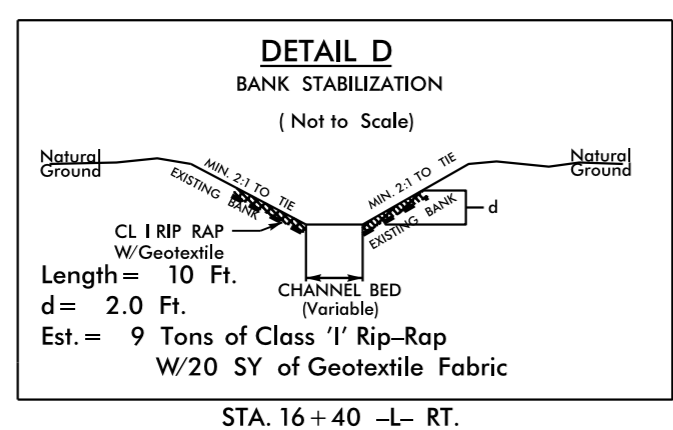
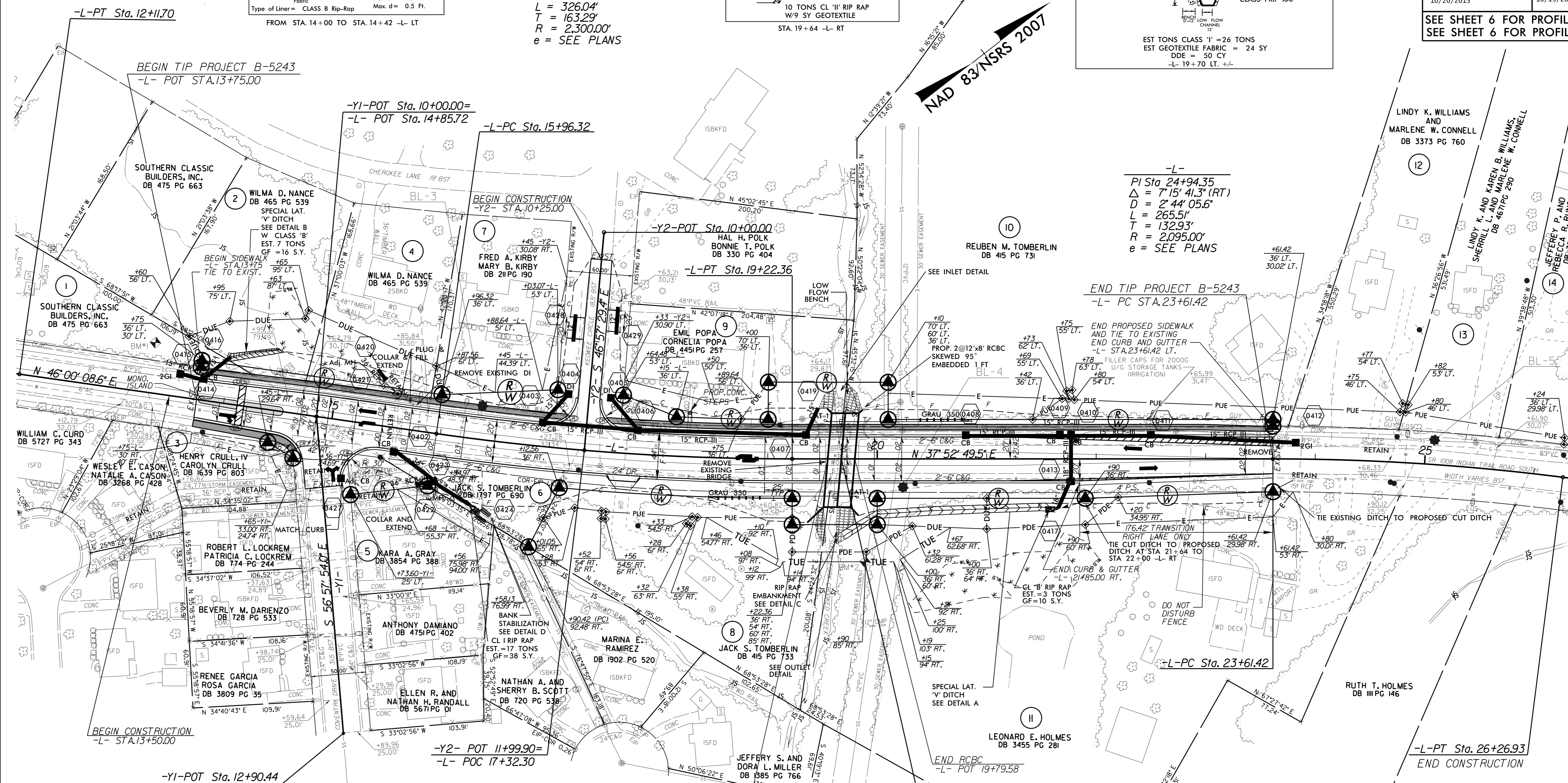
SEE SHEET 2B-1 FOR CHANNELIZATION DETAIL

PROJECT REFERENCE NO. B-5243		SHEET NO. 4	
RW SHEET NO.			
ROADWAY DESIGN ENGINEER		HYDRAULICS ENGINEER	
SEE SHEET 6 FOR PROFILE OF -L- SEE SHEET 6 FOR PROFILE OF -Y2-			



-L-  
 PI Sta 17+59.62  
 $\Delta = 8' 07'' 19.1'' (LT)$   
 $D = 2' 29'' 28.0''$   
 $L = 326.04'$   
 $T = 163.29'$   
 $R = 2,300.00'$   
 $e = \text{SEE PLANS}$

-L-  
 PI Sta 24+94.35  
 $\Delta = 7' 15'' 41.3'' (RT)$   
 $D = 2' 44'' 05.6''$   
 $L = 265.51'$   
 $T = 132.93'$   
 $R = 2,095.00'$   
 $e = \text{SEE PLANS}$



19-OCT-2015 08:58 B5243\_Rdy\_psh04.dgn