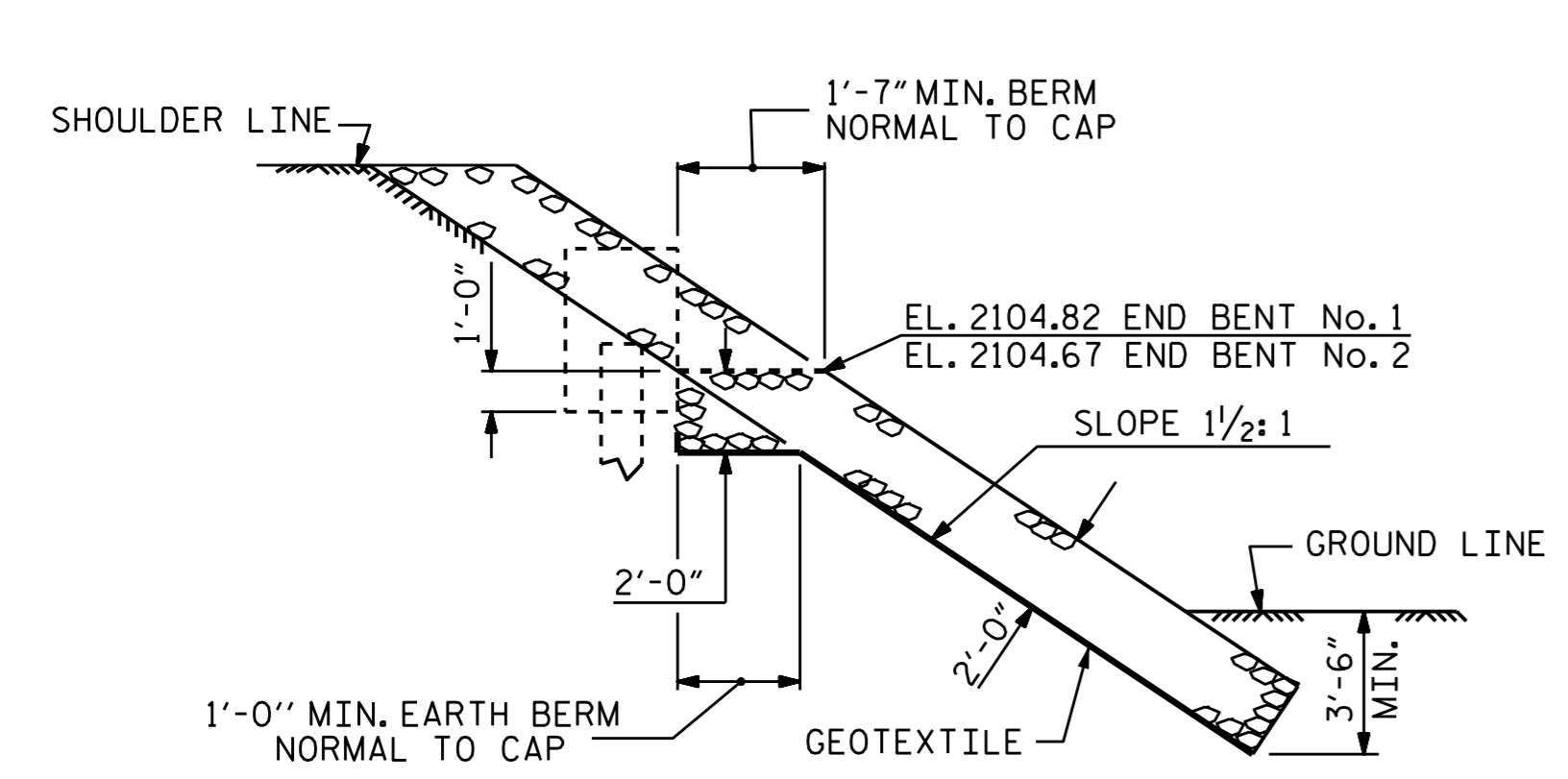


END BENT No. 1

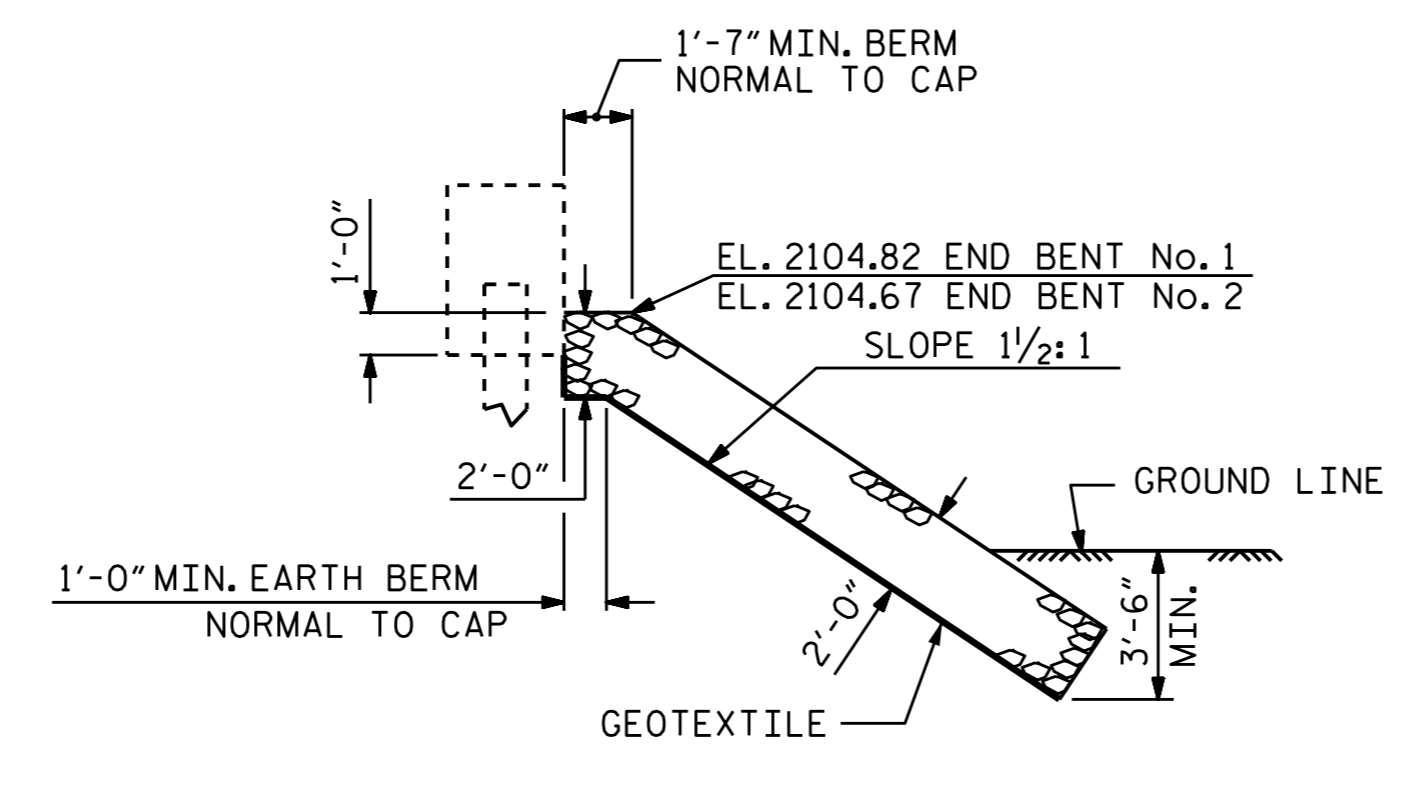
END BENT No. 2

PLAN

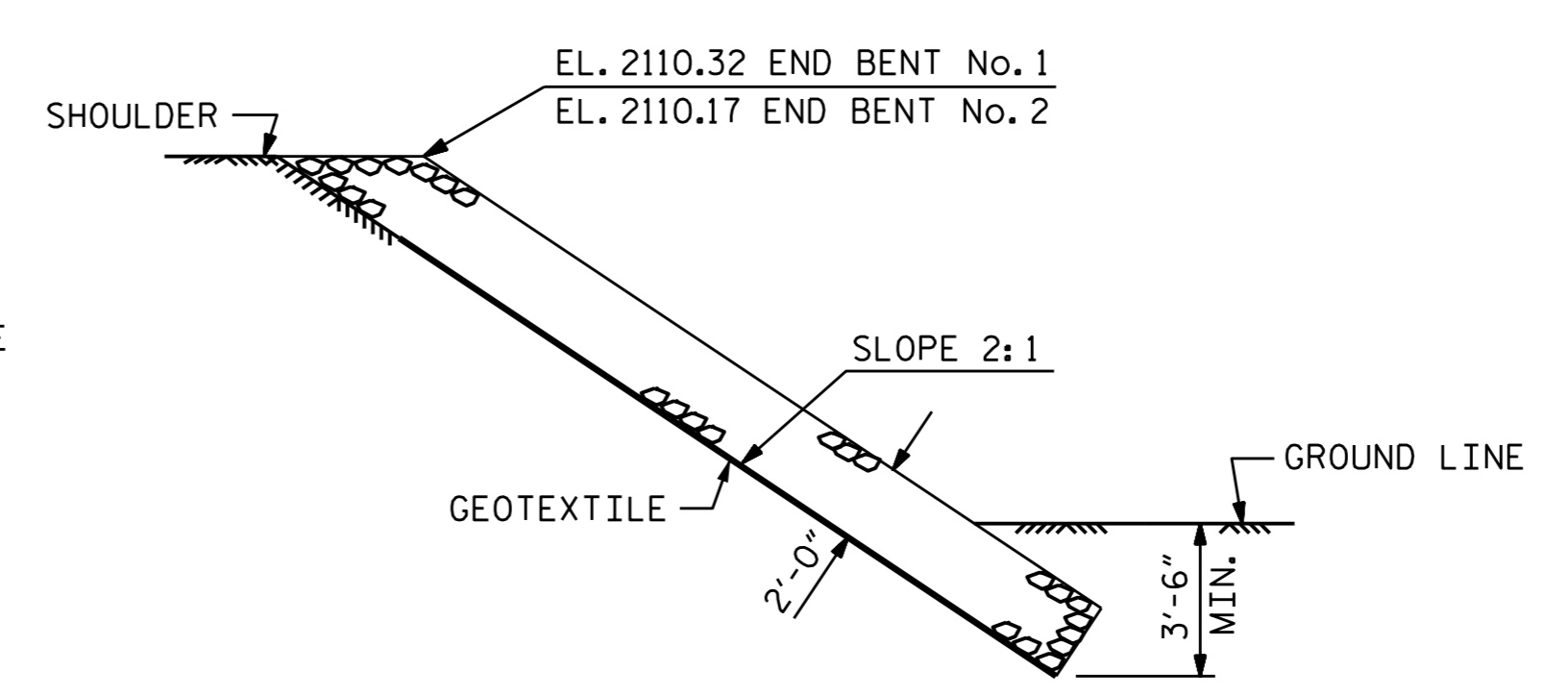
ESTIMATED QUANTITIES		
BRIDGE @ STA. 14+56.00 -L-	RIP RAP CLASS II (2'-0" THICK)	GEOTEXTILE FOR DRAINAGE
	TONS	SQUARE YARDS
END BENT 1	35	40
END BENT 2	35	40
TOTAL	70	80



SECTION H-H



SECTION C-C
BERM RIP RAPPED



SECTION C-C

PROJECT NO. B-5403
TRANSYLVANIA COUNTY
 STATION: 14+56.00 -L-



STATE OF NORTH CAROLINA
 DEPARTMENT OF TRANSPORTATION
 RALEIGH
 STANDARD
 —RIP RAP DETAILS—

ASSEMBLED BY : H. T. BARBOUR	DATE : 5-6-15
CHECKED BY : V. X. NGUYEN	DATE : 5-15
DRAWN BY : REK 1/84	REV. 5/1/06R TLA/GM
CHECKED BY : RDU 1/84	REV. 10/1/11 MAA/GM
	REV. 12/21/11 MAA/GM

REVISIONS						SHEET NO. S-13
NO.	BY:	DATE:	NO.	BY:	DATE:	
1			3			TOTAL SHEETS 14
2			4			